



## ***STANDARD(MT25) AND QUICK(MT26) RESPONSE, UPRIGHT AND PENDENT SPRINKLERS (K5.6)***

### **1. GENERAL DESCRIPTION**

MASTECO automatic sprinklers MT25 and MT26 model series incorporate decorative glass bulbs that operate at specific temperatures. These sprinklers are designed to discharge water in an umbrella-shaped spray pattern for use in various commercial application. MT25 and MT26 model series are available in upright and pendent, standard and quick response, a variety of temperature ratings, nickel chrome and natural finishes to meet a range of design requirements.



### **2. TECHNICAL DATA**

#### **• Specifications**

Minimum Operating Pressure : 7 psi (0.5 bar)  
Maximum Working Pressure : 175 psi (12.1 bar)  
Factory tested hydrostatically to 500 psi (34.5 bar)  
Nominal "K"-factor : 5.6 GPM/PSI<sup>1/2</sup>. (80 LPM/bar<sup>1/2</sup>)  
Thread size : 1/2" NPT  
Finishes : Natural, Chrome , Nickel Chrome

#### **• Physical Characteristics**

Frame : Brass  
Deflector : Copper  
Valve Cap : Brass  
Bulb : Glass  
Setting Screw : Stainless  
Spring Seat : Nickel Beryllium + Teflon

### **3. INSTALLATION**

Refer to appropriate NFPA Installation Standards.

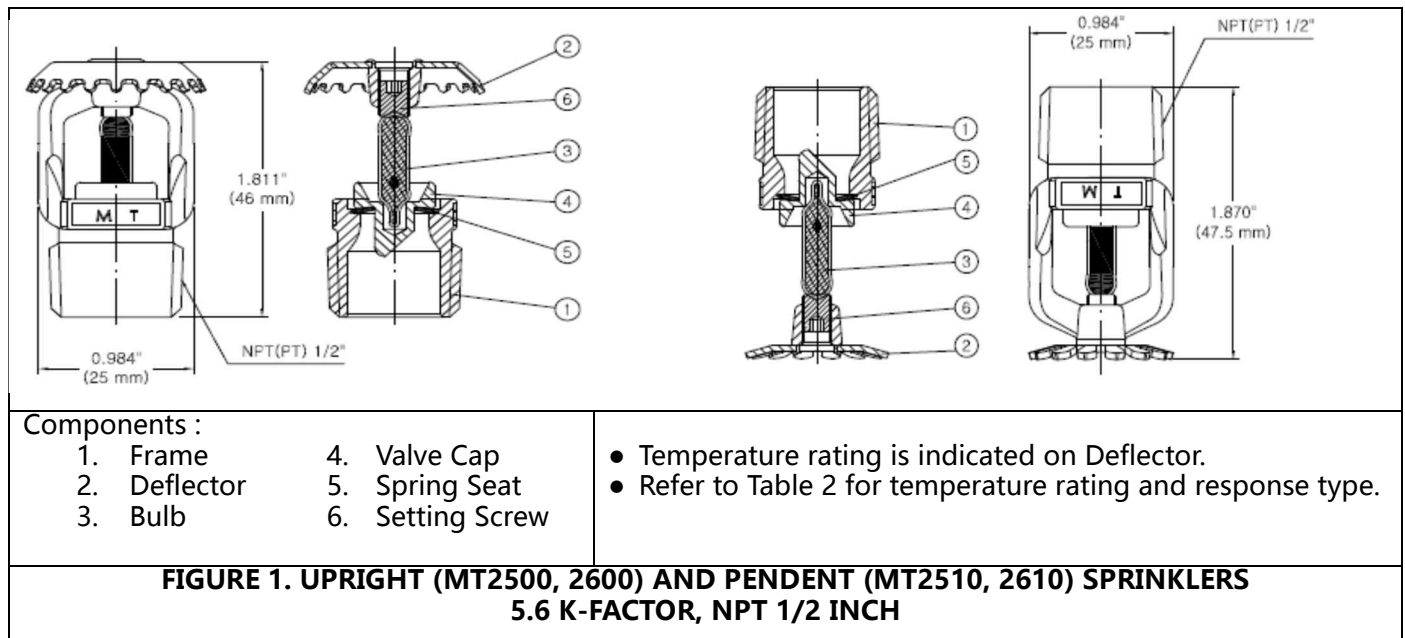
### **4. OPERATION**

In case of fire, the heat-sensitive liquid in the glass bulb expands, causing the glass to shatter, releasing the valve cap and spring seat assembly. Water flowing through the sprinkler orifice strikes the sprinkler deflector, forming a downward umbrella-shaped spray pattern to extinguish or control the fire

## 5. INSPECTIONS, CARE AND MAINTENANCE

Refer to NFPA 25 for Inspection, Testing and Maintenance requirements.

Sprinkler Type	Temperature Rating	Max Ambient Temperature	Bulb Color
UPRIGHT AND PENDENT	135 °F (57 °C)	100 °F (38 °C)	Orange
	155 °F (68 °C)	100 °F (38 °C)	Red
STANDARD AND QUICK RESPONSE	175 °F (79 °C)	150 °F (65 °C)	Yellow
	200 °F (93 °C)	150 °F (65 °C)	Green



SIN	Nominal K-Factor(U.S.)	Thread Size	Element	Distribution	Response	Max. Working Pressure	Approved Temperature Ratings
MT2500	5.6	NPT 1/2"	Bulb	Upright	Standard	175 psi (12.1 bar)	135 °F (57 °C), 155 °F (68 °C), 175 °F (79 °C), 200 °F (93 °C)
MT2510	5.6	NPT 1/2"	Bulb	Pendent	Standard	175 psi (12.1 bar)	135 °F (57 °C), 155 °F (68 °C), 175 °F (79 °C), 200 °F (93 °C)
MT2600	5.6	NPT 1/2"	Bulb	Upright	Quick	175 psi (12.1 bar)	135 °F (57 °C), 155 °F (68 °C), 175 °F (79 °C), 200 °F (93 °C)
MT2610	5.6	NPT 1/2"	Bulb	Pendent	Quick	175 psi (12.1 bar)	135 °F (57 °C), 155 °F (68 °C), 175 °F (79 °C), 200 °F (93 °C)

<b>MASTECO SPRINKLER PART NUMBER : MTXXXX* – XXX** – X***</b>					
*	SIN NUMBER	**	TEMPERATURE RATINGS	***	FINISH
Refer to Table 2 for SIN number.	135	135 °F (57 °C)	1	NATURAL	
	155	155 °F (68 °C)	2	CHROME	
	175	175 °F (79 °C)	3	NICKEL CHROME	
	200	200 °F (93 °C)			

**TABLE 3. PART NUMBER SELECTION**

**NOTE**

**MASTECO INDUSTRY CO., LTD.**

715-12 Gojan-Dong, Namdong-Gu  
405-821, Incheon, Republic of Korea

Tel.: 82-32-811-1301

Fax: 82-32-811-1305

Email: [overseas@masteco.co.kr](mailto:overseas@masteco.co.kr)

Website: [www.masteco.co.kr](http://www.masteco.co.kr)

Office hours: 8:00 AM – 5:00 PM

Time Zone: GMT + 9