

Mod. PX & GX

Foam chambers

Standard characteristics

Flow rate: Mod. PX - Up to 2000 l/min
Mod. GX - Up to 3250 l/min

Body material: Stainless steel AISI 304

Inlet and outlet flanges: See table on next page

Nozzle: Integrated

Air aspiration: Check valve with filter

Vapour sealing group FAS: Glass

Coating: Epoxy Primer + Polyurethane red coat RAL3000,
Total DFT >120 µm

Weight: See drawing on next page

Expansion ratio: According to EU EN-13565-1 and NFPA 11 rules



Approvals



Notes

In case of inquiry and/or order specify the following data:

- > Requested flow rate, Working pressure, Body material, Flanges type and diameter

Compatible with

- > Foam pourers Mod. VF, VFP, VFD (See dedicated page)

Available on Demand

- > Body Material: Stainless Steel AISI 316
- > Coating: Other painting cycles



www.fasspa.net

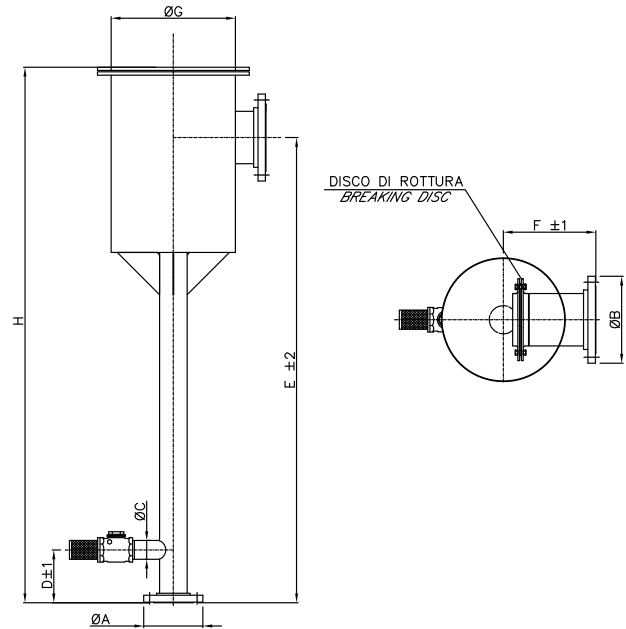
Mod. PX & GX

Foam chambers

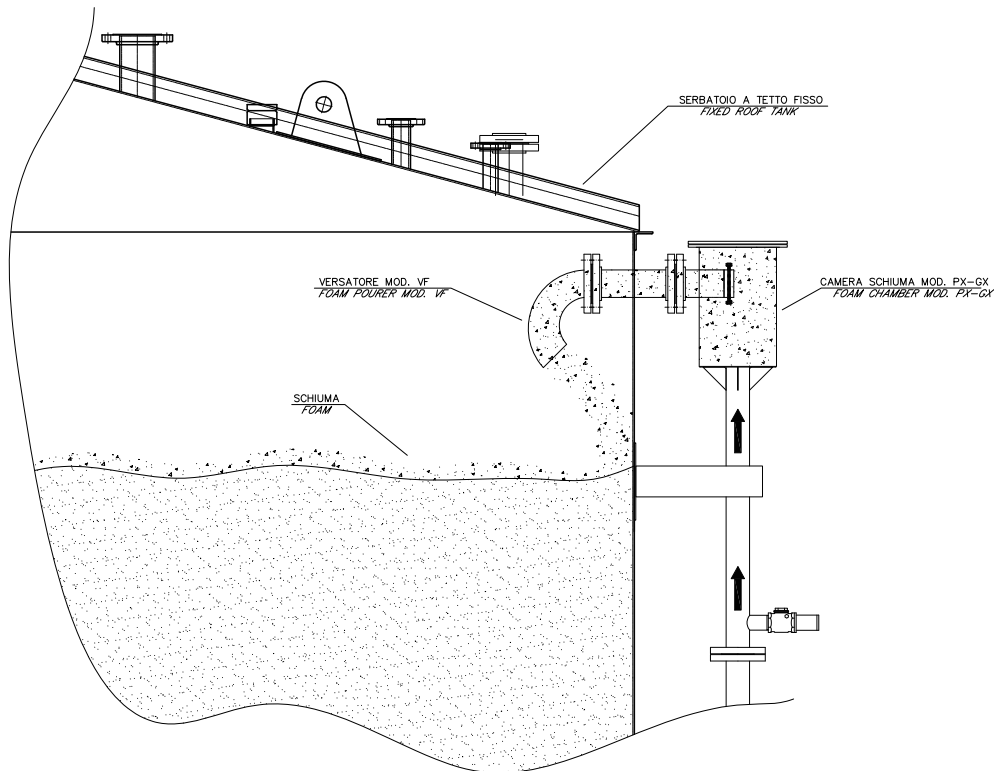
Layout & Overall Dimension

MISURE PER MODELLI STANDARD - ALTRE MISURE A RICHIESTA										
MEASURES FOR STANDARD MODELS - OTHER MEASURES ON REQUEST										
MODELLO MODEL	ØA	ØB	ØC	D	E	F	G	H	PORTATA @ 5bar FLOW RATE @ 5bar	PESO WEIGHT
PX-1	1½"	2"	1½"	109	1.200	200	250	1.410	Fino a 300 l/min UP TO 300 l/min	15 Kg
PX-2		2½"								16 Kg
PX-3		3"								17 Kg
PX-4		4"								19 Kg
PX-5	2"	2½"	1½"	170	1.500	300	400	1.815	Da 300 FROM 300	17 Kg
PX-6		3"								18 Kg
PX-7	2½"	4"	1½"	170	1.500	300	400	1.815	Fino a 2000 l/min UP TO 2000 l/min	21 Kg
PX-8		3"								20 Kg
PX-9	3"	4"	1½"	170	1.500	300	400	1.815	Fino a 2000 l/min UP TO 2000 l/min	22 Kg
PX-10		3"								23 Kg
GX-1	3"	6"	2"	170	1.500	300	400	1.815	Da 2000 FROM 2000	43 Kg
GX-2		8"								49 Kg
GX-3	4"	6"	2"	170	1.500	300	400	1.815	Fino a 3250 l/min UP TO 3250 l/min	47 Kg
GX-4		8"								52 Kg
GX-5	6"	8"	2"	170	1.500	300	400	1.815	Fino a 3250 l/min UP TO 3250 l/min	59 Kg

Le portate indicate possono subire una variazione del ±10% The flow rate indicated may vary of ±10%



Typical Application



www.fasspa.net