

IQ8Alarm Plus: loop powered alarm devices EN 54-3 & EN 54-23 compliant

- ✓ Completely bus supplied addressable alarm devices
- ✓ High sound pressure level of up to 97 dB(A)
- ✓ Cost-saving integration into the esserbus-Plus system
- ✓ Activation of up to 64 alarm devices per esserbus-Plus
- ✓ Flexible load factor for easier project planning and installation
- ✓ Multilingual voice alarm function in 5 languages
- ✓ 20 different international signal tones incl. DIN-tone available
- ✓ Full compliance with EN 54-3 & EN 54-23
- ✓ Synchronized activation within loop and panel
- ✓ Simple and user-friendly programming via tools 8000
- ✓ Built-in isolator in each alarm device



Alarm signalling: The first step towards evacuation

IQ8Alarm Plus is currently the most cost-effective and reliable way of alarm signalling.

With various country-specific alarm tones (e.g. DIN tone or the Dutch slow-woop tone), the completely loop powered optical alarm signalling acc EN 54-23 as well as different voice messages in up to 5 languages, the IQ8Alarm Plus with its outstanding features significantly outperforms state of the art within the fire alarm sector.

The device is directly installed at and connected to the esserbus-Plus (powered loop), making expensive external voltage supplies and connection modules dispensable. All features are combined in just one housing - that only achieves IQ8Alarm Plus.

With a range from simple sounder to combined voice sounder VAD devices

Various types of IQ8Alarm Plus devices are available.

Five product groups offer always the right solution for the desired application:

- Alarm Sounder
- Visual Alarm Device (VAD)
- Voice Sounder
- Combined Sounder VAD
- Combined Voice Sounder VAD

Depending on the version, the signaling devices are available in white or red housing or equipped with white or red light flash. Each alarm device with voice alarm messages can also emit standard alarm signals, including country-specific alarm tones.

Direct powered loop supply for optical alarm signalling according to EN 54-23

Innovative technology in IQ8Alarm Plus devices enables visual alerting in accordance with EN 54-23 to be directly supplied by the esserbus-Plus (powered loop).

The products in compact design feature high output LEDs, advanced optics and an innovative mirror design, providing outstanding light coverage at low current draw.

Specifically designed and approved to meet the EN 54-23 standard, the loop powered visual alarm devices are available with red or white flash, delivering synchronized visual cues, outstanding quality, reliability and extended operational life.

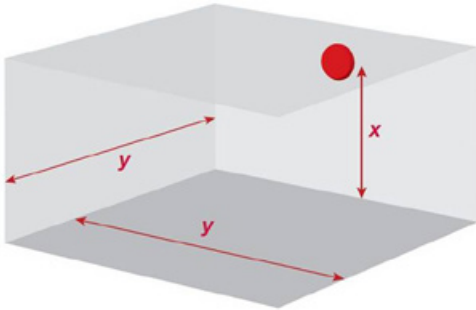
The visual alarm device IQ8Alarm corresponds to EN 54-23 category W for wall mount and is specified for square coverage volume W-2,4-5,0 up to W-3.6-8.

To help identify your Visual Alarm Device (VAD) requirements in line with the EN 54-23 standard, we have developed an easy to use online device selection guide (esser.maxpector.com).

Simply enter the room dimensions and the web tool will help you estimate the number of VADs required for your space.

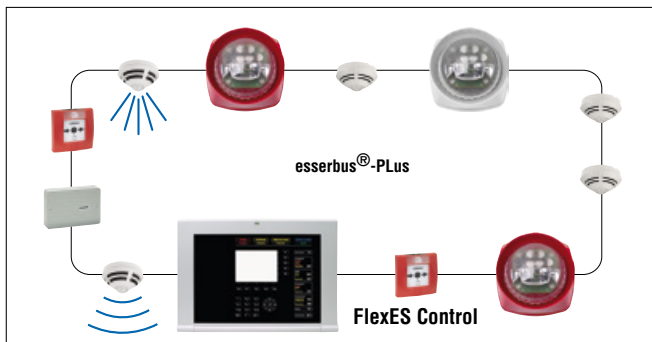
Completely loop powered alarm devices

Square coverage volume of category W-x-y for wall mount



x = maximum mounting height on the wall ($\geq 2,4$ m)
y = width of a square room in m, covered by the device

Application example



IQ8Alarm Plus connected to the esserbus-PLUS at the FACP FlexES Control.

More safety with voice alarm instructions

IQ8Alarm Plus signalling devices with 5 different voice alarm messages in up to 5 different languages and 20 different alarm tones guarantee the highest degree of safety and are currently the most cost-effective alarm signalling solution available.

Voice alarm messaging is far more effective than conventional alarm signalling via alarm sounders.

While people do not immediately react to abstract alarm tones or optical alarm signals, they act immediately and appropriately on explicitly broadcast voice commands in cases of fire. With the alarm messages and evacuation messages provided, IQ8Alarm Plus devices significantly contribute to reducing reaction times until evacuation is initiated. Thus, people's lives can be protected more effectively.

Multilingual alarm messages allow reliable alarm signalling to quickly direct and inform even international visitors to a building or international guests at public gatherings about evacuation procedures.

Additionally, regional alarm signalling requirements are fulfilled by providing country-specific alarm tones such as the DIN tone, the USA horn, the French tone and also the Dutch slow-woop tone.

IQ8Alarm Plus devices ensure that everyone can be quickly informed, alerted and safely evacuated in case of emergency.

Country code acc. to ISO 3166 -Alpha-2	Language code acc. to ISO 639-1	Evacuation 1	Evacuation 2	Alarm	Test-message	All-Clear
Germany (DE)	de	Dies ist ein Feueralarm. Bitte verlassen Sie das Gebäude umgehend über die nächsten Fluchtwege. Die Feuerwehr ist alarmiert.	Achtung, Achtung! Dies ist eine Gefahrermeidung. Bitte verlassen Sie das Gebäude über die nächsten Ausgänge.	Achtung, im Gebäude ist eine Gefahrensituation gemeldet worden. Bitte bleiben Sie ruhig, und warten Sie auf weitere Anweisungen.	Dies ist eine Testdurchsage.	Die Gefahrensituation ist jetzt behoben. Wir entschuldigen uns für jegliche Unannehmlichkeiten.
Great Britain (GB)	en	This is a fire alarm. Please leave the building immediately by the nearest available exit.	Attention please. This is an emergency. Please leave the building by the nearest available exit.	An incident has been reported in the building. Please await further instructions.	This is a test message. No action is required.	The emergency is now cancelled. We apologize for any inconvenience.
France (FR)	fr	Ceci est une alarme incendie, veuillez évacuer immédiatement les locaux par la sortie la plus proche.	Votre attention s'il vous plaît, ceci est une alarme. Veuillez évacuer les locaux par la sortie la plus proche.	Un incident est signalé dans le bâtiment. Merci de garder votre calme et attendez les prochaines instructions.	Ceci est un test.	L'alarme est à présent annulée. Veuillez nous excuser pour le désagrément.
Spain (ES)	es	Esto es una alarma de incendio. Abandonen por favor el edificio inmediatamente por la salida de evacuación más cercana.	Atención. Esto es una emergencia. Por favor abandonen el edificio por la salida de evacuación más cercana.	Atención, se ha reportado un incidente en el edificio. Esperen por favor otras instrucciones.	Esto es un mensaje de prueba. No se requiere ninguna acción.	La emergencia ha sido cancelada. Pedimos disculpas por las molestias causadas.
Italy (IT)	it	Attenzione. Allarme incendio. Abbandonare l'edificio tramite l'uscita di emergenza più vicina.	Attenzione. Allarme in corso. Vi preghiamo di recarvi presso l'uscita di emergenza più vicina.	Attenzione. È stato rilevato un allarme. Ulteriori disposizioni vi verranno comunicate appena possibile.	Attenzione. È in corso una prova di allarme. Non è richiesta alcuna azione.	Attenzione. Cessato allarme. La situazione di normalità è stata ripristinata.

Standard speech messages of IQ8Quad detectors and IQ8Alarm Plus

No.	Description	Frequency	Pulse rate
1	School bell	complex	complex
2	FP 1063.1 Telecoms BS 5839 Pt1	Alternating 800 / 970 Hz at 2 Hz	
3	BS 5839 Pt1	Alternating 800 / 970 Hz at 1 Hz	
4	BS 5839 Pt1	Intermittent 970 Hz at 1 Hz 0.5 sec.	
5	BS 5839 Pt1	Intermittent 2850 Hz at 1 Hz 0.5 sec.	
6	BS 5839 Pt1	Intermittent 970 Hz 1/4 sec. ON - 1 sec. OFF	
7	BS 5839 Pt1	Continuous 970 Hz	
8	BS 5839 Pt1	Sweep tone 800 Hz to 970 Hz at 7 Hz	
9	BS 5839 Pt1	Sweep tone 800 Hz to 970 Hz at 1 Hz	
10	DIN Tone DIN 33404 Part 3	1200 - 500 Hz at 1 Hz	
11	French fire sound	554 Hz / 100 ms + 440 Hz / 400 ms + 10 %	
12	NL - Slow Whoop	500 Hz - 1200 Hz at 3.5 sec. break of 0.5 sec.	
13	US - Horn	Continuous 485 Hz	
14	US - Horn with Temporal Pattern	Intermittent 485 Hz (0.5 sec. ON; 0.5 sec. OFF; 3 times; 1.5 sec. OFF; Repeat)	
15	US - March Time	Alternating 485 Hz (0.25 sec. ON; 0.25 sec. OFF; Repeat)	
16	US - Slow Whoop	Sweep tone 500 Hz to 1200 Hz (4.0 sec. ON; 0.5 sec. OFF; Repeat)	
17	US - Siren	Sweep tone 600 Hz to 1200 Hz (1.0 sec. ON; Repeat)	
18	US - Hi/Lo	Alternating 100 Hz / 800 Hz (0.25 sec. ON; Alternate; 0.25 sec. ON; Alternate; Repeat)	
19	US - NFPA Whoop	Sweep tone 422 Hz to 775 Hz (upwards sweep 0.85 sec.; 3 times; 1 sec. OFF; Repeat)	
20	IMO GA-Signal	Intermittent 800 Hz (1.0 sec. ON; 1.0 sec. OFF; 7 times; 2.0 sec. ON; 2.0 sec. OFF; Repeat)	

IQ8Quad detectors and IQ8Alarm Plus tone table

Simple programming with IQ8Alarm Plus

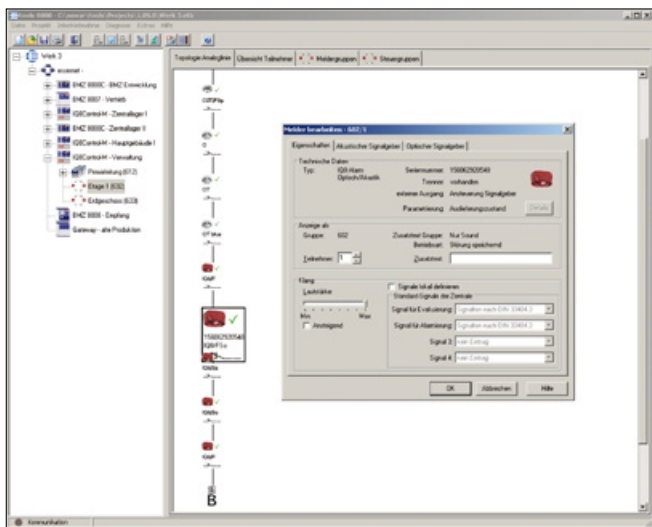
Each IQ8Alarm Plus can be programmed easily. Innovative IQ8Quad fire detectors with integrated alarm unit hold a unique position within their market segment and operate homogeneously on the uniform platform as the new IQ8Alarm Plus devices. Thus, programming is easier and more flexible than it used to be.

With the drop-down menu, individual acoustic signal options or optical signal range (EN 54-23) can be set. Event-controlled signal activation can be used for alarm signals, evacuation signals or emergency signals. In addition, a test message can be activated.

The configuration of the respective signal model is just as easy to make via drop-down menus.

A signal model can contain up to four partial signals. Therefore, signal models can be individually programmed by selecting, for instance, a country-specific alarm tone (e.g. DIN tone) as the start signal, followed by a voice message in German.

Thus, the signal sequence can be chosen to suit the respective requirements. All information required for programming IQ8Alarm Plus devices can be obtained when attending our programming training courses.



Programming via tools 8000

Calculation of the maximum number of alarm devices on esserbus-Plus powered loop

The maximum number of bus-enabled alarm devices on esserbus-Plus powered loop depends on the type of alarm device (and selected settings), load factor, loop length and cross section. For this purpose, the individual load factors of the individual alarm devices must be added.

The load factor defines the current consumption of the alarm device on the ring bus in the event of an alarm. The maximum permissible total load factor of a single loop is 96 (consider

FACP information). Altogether up to 127 bus devices per loop can still be connected.

A calculation tool is available on our website to determine the load factor values.

You can find more detailed information on the installation and the operation in the documentation Part No. 798804, 798960.GB0.

Function	FlexES Control	IQ8Control	Compact
EN 54-23: Room size settings	Adjustable, full function with tools 8000 from V1.24	Not adjustable, only factory settings	Not adjustable, only factory settings
Sounder: Load factor 1,5/3 settings	Adjustable, full function with tools 8000 from V1.24 (Limited function with tools 8000 from V1.20*)	Adjustable Limited function* with tools 8000 from V1.20*	Adjustable Limited function* with tools 8000 from V1.20*

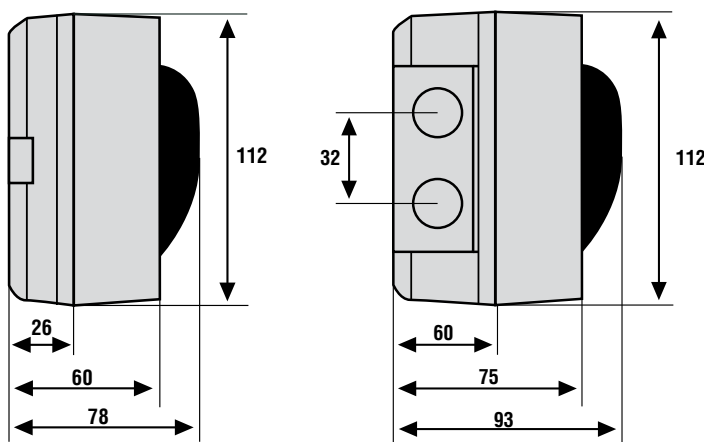
*via volume settings without clear indication

IQ8Alarm Plus - elegant and conspicuously inconspicuous design

Harmonious integration of modern building technology in line with highest security standards is becoming evermore crucial these days.

With its flat design and various combinable colour options, the IQ8Alarm Plus device can be perfectly adapted to almost any environment.

Thus, building technology need no longer be seen as an eye-sore that does not fit in with the interior design in buildings.



Flat design / standard base

Flat design / IP base



Technical data

Type	Sounder	Voice Sounder	Combined Voice Sounder & VAD	Combined Sounder VAD	Visual Alarm Device (VAD)
Part Number	807205R 807205W	807322R 807322W	807372RR 807372RW	807224RR 807224RW	807214RR 807214WW
Housing Colour	red or white		red		red or white
Ambient temperature	-10°C ... +55°C				-20°C ... +70°C
Load factor total	1,5 * / 3	4	7 * ... 11,9	4,5 * ... 10,9	3 * ... 7,9
Optical:	–	–	Flash		
Load factor	–	–	3 * ... 7,9	3 * ... 7,9	3 * ... 7,9
Flash frequency	–	–	approx. 0,5 Hz * / 1 Hz		
Flash colour	–	–	red or white		
Signal range	–	–	W-2,4-5,0 / 60 m ³ * ... W-3,6-8 / 230 m ³		
Effective intensity	–	–	approx. 6.6 cd eff. * / max. 17 cd eff. @ W-3,6-8		
Specification	–	–	EN 54-23		
Acoustic:	Sound	Speech + Sound		Sound	–
Load factor	1,5 * / 3	4	4	1,5 * / 3	–
Sound level @ 1 m / @ 90° angle / @ DIN tone	91* / 97 dB(A) +/- 2 dB	90 dB(A) +/- 2 dB(A) for speech + tone 97 dB(A) +/- 2 dB(A) tone only		91* / 97 dB(A) +/- 2 dB	–
Specification	EN 54-3				–
VdS Approval	G 218071	G 218071	G 218031	G 218031	G 215019
Decl. of Performance	DoP-21430171215	DoP-21430171215	DoP-21431171215	DoP-21431171215	DoP-21429150413

* factory setting

General technical data

Operating voltage	8 ... 42 V DC
Quiescent current @ 19 V DC	55 µA
Air humidity	< 95 % (non-condensing)
Type of protection	IP43 *2 / IP 56 with IP base *3
Housing	PC (Housing and Calotte)
Colour	red, similar to RAL 3020 or white, similar to RAL 9010
Weight	approx. 300 g
Dimensions Ø x H	112 x 78 mm (112 mm x 93 mm with IP base)

*2 IP 21C acc. EN 54-3 / -23; *3 Do not use base when using as signaling device acc. EN 54-3 / -23

Order information

	Part No.
IQ8Alarm Plus/So Sounder, red	807205R
IQ8Alarm Plus/So Sounder, white	807205W
IQ8Alarm Plus/F Visual Alarm Device (VAD) EN 54-23 cat. W, red flash	807214RR
IQ8Alarm Plus/F Visual Alarm Device (VAD) EN 54-23 cat. W, white flash	807214WW
IQ8Alarm Plus/FSo combined Sounder & VAD EN 54-23 cat. W, red flash	807224RR
IQ8Alarm Plus/FSo combined Sounder & VAD EN 54-23 cat. W, white flash	807224RW
IQ8Alarm Plus/Sp Voice Sounder, red	807322R
IQ8Alarm Plus/Sp Voice Sounder, white	807322W
IQ8Alarm Plus/FSp combined Voice Sounder & VAD EN 54-23 cat. W, red flash	807372RR
IQ8Alarm Plus/FSp combined Voice Sounder & VAD EN 54-23 cat. W, white flash	807372RW
IQ8Alarm IP base, white	806201
IQ8Alarm IP base, red	806202

