

UCS(T)...

zone 1	zone 2	Ex de II	II2GD	-40°C	T4 (130°C)	-20°C	T6 (80°C)
zone 21	zone 22	Ex e [ia] IIC	II2(1)GD	+80°C		+40°C	
		Ex ia IIC	II2GD			-40°C	T5 (95°C)
			IP66			+60°C	

EMERGENCY PUSH-BUTTON WITH TELESCOPIC DEVICE PADLOCKED

PULSANTE DI EMERGENZA CON DISPOSITIVO TELESCOPICO LOCK

Caratteristiche:	Pulsante di emergenza UCS(T).... con dispositivo telescopico lucchettabile. Protezione ATEX (Exde).
Features:	Emergency mushroom UCS(T)... with telescopic device padlocked. ATEX (Exde) model of protection.

Features of the Contact 10 A
Caratteristiche dei contatti 10 A

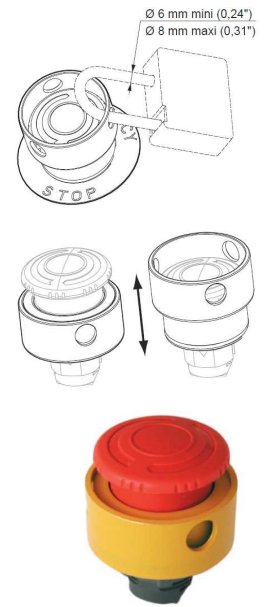
AC
Ith = 10 A; Ui = 415 V
Ue = 380 V; Ie = 1,9 A or
Ue = 240 V; Ie = 3 A or
Ue = 120 V; Ie = 6 A

DC
Ue = 250 V; Ie = 0,27 A or
Ue = 125 V; Ie = 0,55 A or
Ue = 24 V; Ie = 2,87 A

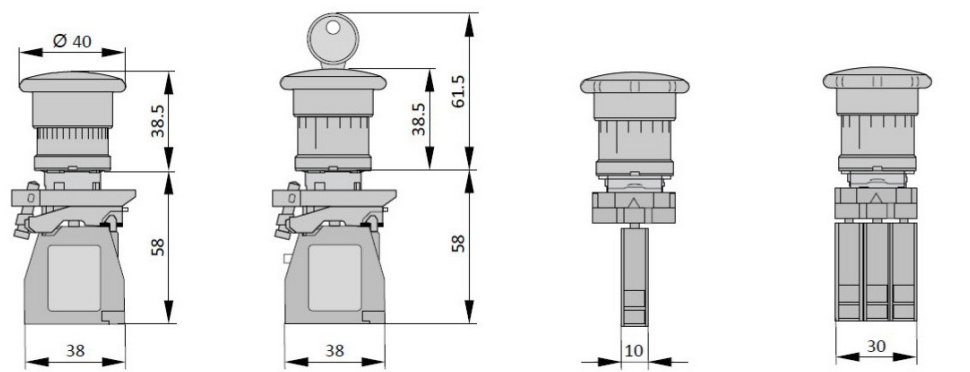


Specifica tecnica - Technical specification	
Materiale / Material	UCS(T)...(S) Acc. Inox - Stainless steel 316 UCS(T)...(A) Alluminio - Aluminium UCS(T)...(G) GRP glass fibre reinforced polyester
Dimensioni / Dimension	110x110x85mm
Grado IP / IP rating	IP66
Temperatura / Temperature	-20°C (-40°C) to +40°C (+60°C)
Imbocchi / Cable entries	1 gland M20 std execution on request: 1 gland M25 2 gland M20 or M25

Contatti manuali / Manual contact		Contatti manuali / Manual contact		Contatti manuali / Manual contact	
UCS(T)-21S	1 NO	UCS(T)-21A	1 NO	UCS(T)-21G	1 NO
UCS(T)-22S	1 NC	UCS(T)-22A	1 NC	UCS(T)-22G	1 NC
UCS(T)-23S	2 NC	UCS(T)-23A	2 NC	UCS(T)-23G	2 NC
UCS(T)-24S	2 NO	UCS(T)-24A	2 NO	UCS(T)-24G	2 NO
UCS(T)-25S	1 NC + 1 NO	UCS(T)-25A	1 NC + 1 NO	UCS(T)-25G	1 NC + 1 NO
UCS(T)-30S	1 NO + 2 NC	UCS(T)-30A	1 NO + 2 NC	UCS(T)-30G	1 NO + 2 NC
UCS(T)-31S	2 NC + 1 NO	UCS(T)-31A	2 NC + 1 NO	UCS(T)-31G	2 NC + 1 NO
UCS(T)-32S	3 NC	UCS(T)-32A	3 NC	UCS(T)-32G	3 NC
UCS(T)-33S	3 NO	UCS(T)-33A	3 NO	UCS(T)-33G	3 NO



TELESCOPIC DEVICE PADLOCKED
DISPOSITIVO TELESCOPICO LUCCHETTABILE



Push button with 1 contact Push button with 1 rows of 3 contacts

ALTRE ESECUZIONI SPECIALI A RICHIESTA
OTHER SPECIAL EXECUTION ON REQUEST



Kroma mec S.r.l.

