

UCS(P)...

zone 1	zone 2	Ex de II	II2GD	-40°C	T4 (130°C)	-20°C	T6 (80°C)
zone 21	zone 22	Ex e [ia] IIC	II2(1)GD	+80°C		+40°C	
		Ex ia IIC	II2GD			-40°C	T5 (95°C)
			IP66			+60°C	

EMERGENCY PUSH-BUTTON WITH PROTECTION PADLOCKED

PULSANTE DI EMERGENZA CON PROTEZIONE LUCCHETTABILE



Caratteristiche:	Pulsante di emergenza UCS(P)..., con protezione lucchettabile. Protezione ATEX (Exde).
Features:	Emergency mushroom head push-button UCS(P)..., device padlocked. ATEX (Exde) model of protection.

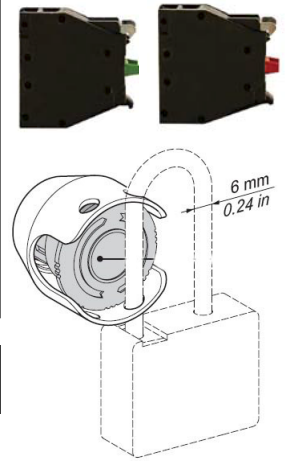
Specifica tecnica - Technical specification

Materiale Material	UCS(P)..A Alluminio - Aluminium UCS(P)..G GRP glass fibre reinforced polyester UCS(P)..S Acc. Inox - Stainless steel 304/316
Dimensioni Dimension	UCS(P)..A 110x110x85mm (alternative dimension 170x110x85) UCS(P)..G 110x110x85mm (alternative dimension 170x110x85) UCS(P)..S 110x110x100mm (alternative dimension 200x100x100)
Colore Color	Rosso (altri a richiesta) Red (other on request)
Imbocchi Cable entries	1 gland M20 std execution on request: 1 gland M25 2 gland M20 or M25

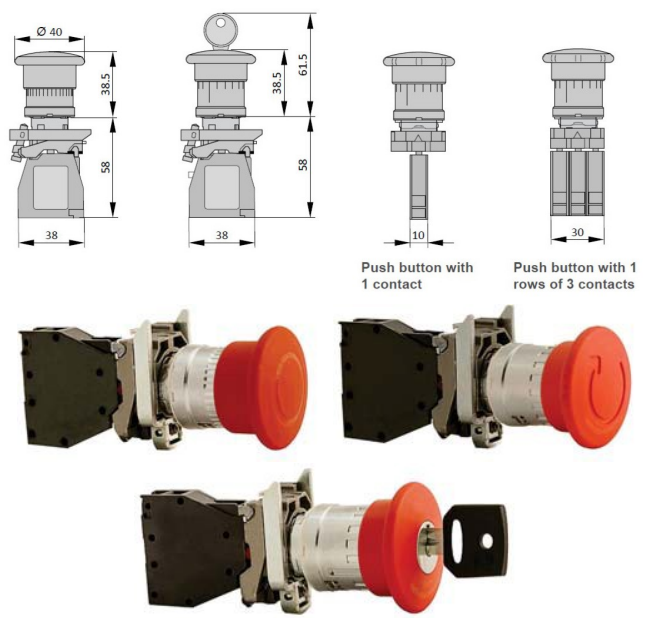
Contatti manuali Manual contact		Contatti manuali Manual contact		Contatti manuali Manual contact	
UCS(P)-21S	1 NO	UCS(P)-21G	1 NO	UCS(P)-21A	1 NO
UCS(P)-22S	1 NC	UCS(P)-22G	1 NC	UCS(P)-22A	1 NC
UCS(P)-23S	1 NC + 1NC	UCS(P)-23G	1 NC + 1NC	UCS(P)-23A	1 NC + 1NC
UCS(P)-24S	1 NO + 1NO	UCS(P)-24G	1 NO + 1NO	UCS(P)-24A	1 NO + 1NO
UCS(P)-25S	1NC + 1 NO	UCS(P)-25G	1NC + 1 NO	UCS(P)-25A	1NC + 1 NO

Features of the Contact 10 A
Caratteristiche dei contatti 10 A

Ith = 10 A; Ui = 415 V
AC
Ue = 380 V; Ie = 1,9 A or
Ue = 240 V; Ie = 3 A or
Ue = 120 V; Ie = 6 A
DC
Ue = 250 V; Ie = 0,27 A or
Ue = 125 V; Ie = 0,55 A or
Ue = 24 V; Ie = 2,87 A



DEVICE PADLOCKED
DISPOSITIVO LUCCHETTABILE



ALTRE ESECUZIONI SPECIALI A RICHIESTA
OTHER SPECIAL EXECUTION ON REQUEST



Kroma mec S.r.l.

