

GNE_xCP7-PB Dual Action Push Button Manual Call Point

The explosion proof GNE_xCP7-PB dual action push button Ex d explosion proof manual call points feature a robust GRP enclosure with a 316 stainless steel mechanism and IP66/67 rating – designed for the harshest hazardous environments.

Requiring a twist and push action to activate the GNE_xCP7-PB features a robust stainless steel button. Globally approved to IECEx, ATEX, UL and cUL standard for all Zone 1, 2, 21 & 22 and Class I/II Div 2 installations. Available with standard DIN rail terminals or the innovative E2S termination board providing dedicated connections for field installed EOL and/or series devices. SIL 2 compliant to IEC 61508 (2010).

Features

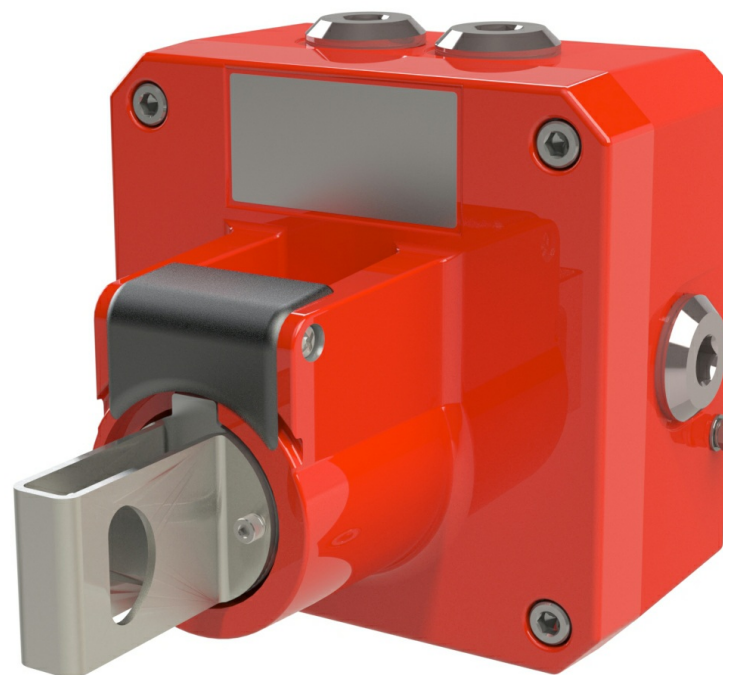
- Robust corrosion proof GRP enclosure
- Anti-static & UV stable
- Ingress protection IP66/67
- Single or double switch
- 316 (A4) Stainless Steel mechanism
- Latching lift flap
- 3 x M20 cable entries, 2 x Stopping plugs included
- Captive stainless steel fasteners

Approvals

- UL/cUL certificate: 20200224-E513632
- IECEx certificate: IECEx ULD 19.0007X
- ATEX certificate: DEMKO 19 ATEX 2101X
- PESO CCOE certified: P471512
- SIL 2 compliant to IEC 61508 (2010)

Coding

- NEC / CEC:
 - Class I Div 2 Group ABCD T6 Ta -55°C to +60°C
 - Class II Div 2 Group FG T4 Ta -55°C to +60°C
 - Class III Div 1 & 2 Ta -55°C to +60°C
- NEC:
 - Class I Zone 1 AEx db IIC T6 Gb (Ta -55°C to +60°C)
 - Zone 21 AEx tb IIIC T125°C Db (Ta -55°C to +60°C)
- CEC:
 - Class I Zone 1 Ex db IIC T6 Gb X (Ta -55°C to +60°C)
 - Zone 21 Ex tb IIIC T135°C Db (Ta -55°C to +70°C)
- IECEx & ATEX:
 - II 2G Ex db IIC T5 Gb Ta. -55 to +70°C
 - II 2G Ex db IIC T6 Gb Ta. -55 to +60°C
 - II 2D Ex tb IIIC T90°C Db Ta. -55° to +70°C

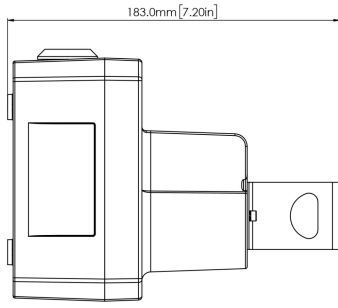


Specification

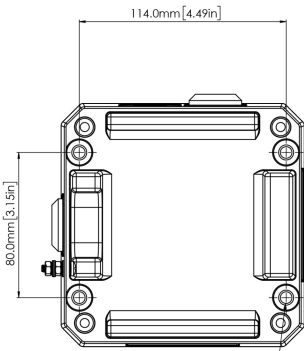
GNExCP7-PB:	Dual action push button	
Temp. Range:	-55°C to +70°C	
Ingress protection:	EN/IEC 60529 – IP66/67	
Enclosure matl:	GRP Glass Reinforced Polyester	
Colour:	RAL3000 Red Other solid and striped colours available	
Cable entries:	2 x top and 1 x side. Back box can be rotated to give 2 x bottom and 1 x side entries	
Stopping plugs:	2 x Stopping plugs as standard Brass, Nickel plated or Stainless Steel	
Terminals:	DIN rail 8 × 2.5mm ² SAK2.5 or Termination board featuring 6 × 2.5mm ² terminals plus 4 x dedicated EOL & Series terminals	
Earth:	External M5 earth connection	
Relative Humidity:	R.H. 95% @ 20°C	
Weight:	2.1Kg/4.63lbs	
Voltage Range:	Max input Current:	Limitations for EOL / Series Resistors:
250Vac Max	3.33A max	not permitted
48Vdc Max	1.0A max	min. 2.2kOhm
24Vdc Max	3.0A max	min. 470 Ohm
EOL and Series Diode Values:		
xxx:	Zener Value	Max. current supply permitted
3V3	3.3V Diode	230mA
4V7	4.7V Diode	162mA
5V1	5.1V Diode	149mA
5V6	5.6V Diode	136mA
6V2	6.2V Diode	122mA
6V8	6.8V Diode	112mA
10V	10V Diode	76mA
12V	12V Diode	63mA

Part Codes

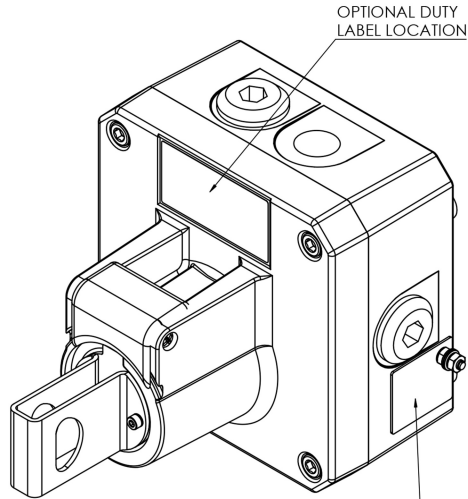
Version:	Part references:	Description:
Product type:	GNExCP7PB	Dual action push button
Switch Type: [s]	S D	SPCO/SPDT DPCO/DPDT
Terminals: [t]	D P	DIN Rail 8 × SAK2.5 Termination board: 6 × 2.5mm ² terminals plus 4 × EOL & Series terminals
Lift flap: [l]	N	Lift flap not available
Cable Entry Type: [e]	A B C D E F G	3 x M20x1.5mm 2 × 1/2" NPT – adaptors 2 × 3/4" NPT – adaptors 2 x M25x1.5mm – adaptors 1 × 1/2" NPT – adaptor 1 × 3/4" NPT – adaptor 1 x M25x1.5mm – adaptor
Stopping plug material: [m]	B P S	Brass Nickel Plated Brass Stainless Steel
Duty label / Equipment tag: [d]:	1 2 3 4 5 6 7	No Duty label, no Equip. tag Duty label Stainless Steel Duty label St/St + Equip. tag Duty label Metalised Polyester Duty label M. Poly. + Equip. tag Equip. tag only Special label requirement
Product version: [v]	A1	UL, cUL, IECEx, ATEX & PESO approved
Enclosure colour: [x]	R B N Y V S K M Z	Red Blue Green Yellow Red/White Yellow/Black Black Magenta Red/Black
Default variable: [u]	N	Default = N – not currently used
E.O.L. Module: [e] optional	ExxxR ED1 ExxxZ	Resistor value in Ohms e.g. E470R = 470 Ohm Diode IN4007 = ED1 Zener diode e.g. E5V1Z = 5.1V
Series Module: [s] optional	SxxxR SD1 SxxxZ	Resistor value in Ohms e.g. S1K5R = 1.5K Ohm Diode IN4007 = SD1 Zener diode e.g. S5V1Z = 5.1V
Accessories:		
SP65-0001-A2	Pole Mount Bracket Kit 2" St/St A2 (304)	
SP65-0001-A4	Pole Mount Bracket Kit 2" St/St A4 (316)	
SP65-0002-A2	Sunshade – St/St A2 (304)	
SP65-0002-A4	Sunshade – St/St A4 (316)	



GNEXCP7PB SHOWN



Ø4.4mm [0.25in]
MOUNTING HOLES 4 OFF



ISO VIEW SHOWN (GNEXCP7PB)

OPTIONAL
EQUIPMENT
TAG LOCATION