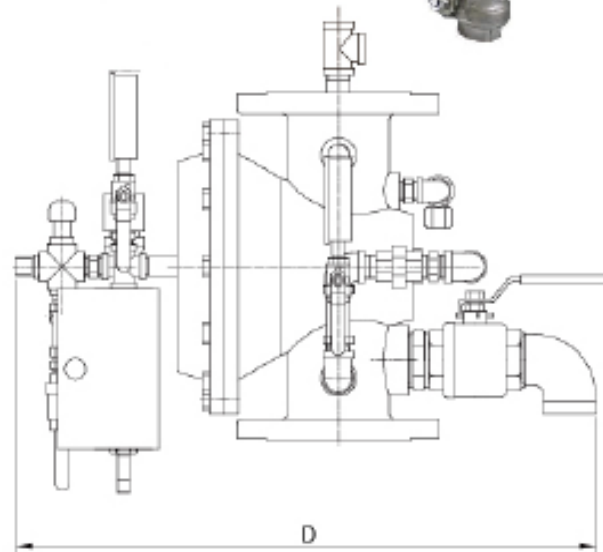
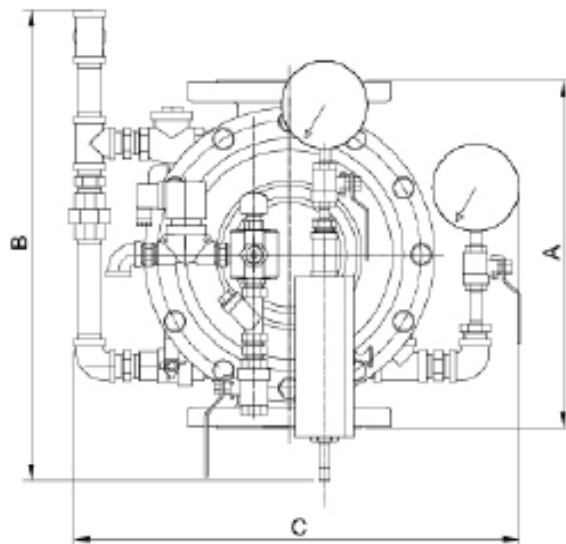
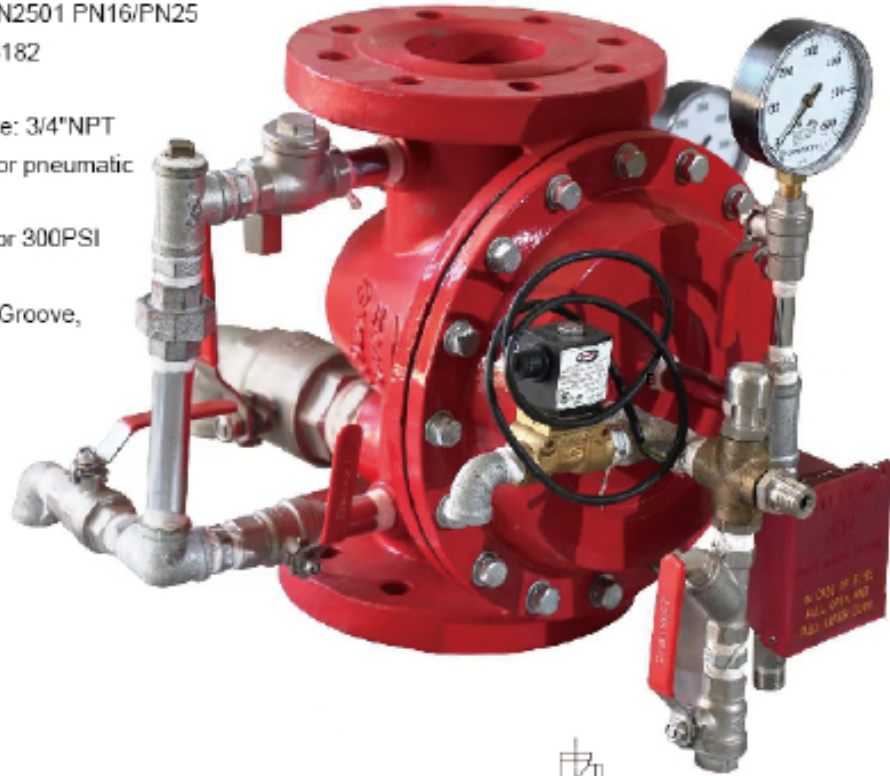


Deluge Alarm Valve

Deluge Valve – Groove*Groove/Flange*Flange/Flange*Groove

Technical Features

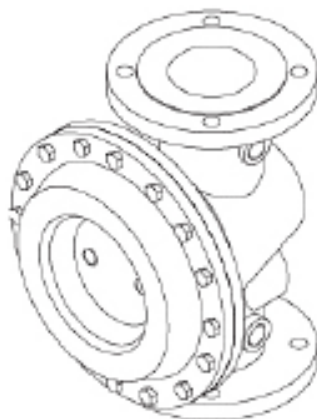
- Design Standard: ASME B16.42-2016
- Flange Standard: Class150/300 or DIN2501 PN16/PN25
- Groove Standard: AWWA C606/ISO 6182
- Working temperature: 4-52°C
- Reserved alarm valve system interface: 3/4"NPT
- Remote action control mode: electric or pneumatic
- Available Sizes: 2"-8"
- Maximum working Pressure: 250PSI or 300PSI (can be chosen)
- Connection: Groove*Groove, Flange*Groove, Flange*Flange



Specification	Diameter(in/mm)	A(mm)	B(mm)	C(mm)	D(mm)
GY46X02	2/50	287±2	440±10	460±10	500±10
GY46X25	2.5/65	287±2	440±10	460±10	540±10
GY46X03	3/80	340(324)±2	450±10	490±10	570±10
GY46X04	4/100	390(350)±2	520±10	490±10	680±10
GY46X06	6/150	508(460)±2	570±10	570±10	800±10
GY46X08	8/200	584(570)±2	900±10	650±10	900±10

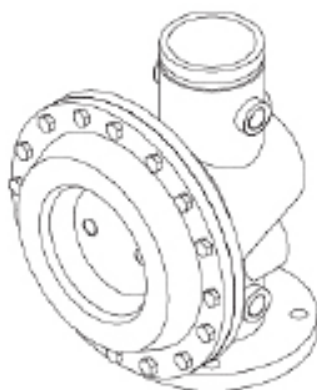
Model: GY46X/GY56X/GY86X/GY46X-300/GY56X-300/GY86X-300

Structural characteristics



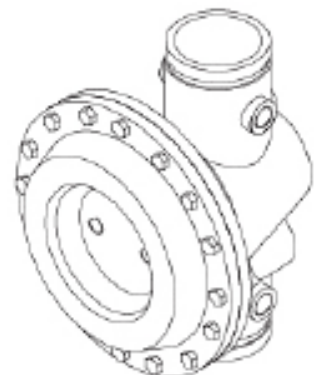
Type Description

GY46X	FXF 250PSI
GY46X-300	FXF 300PSI



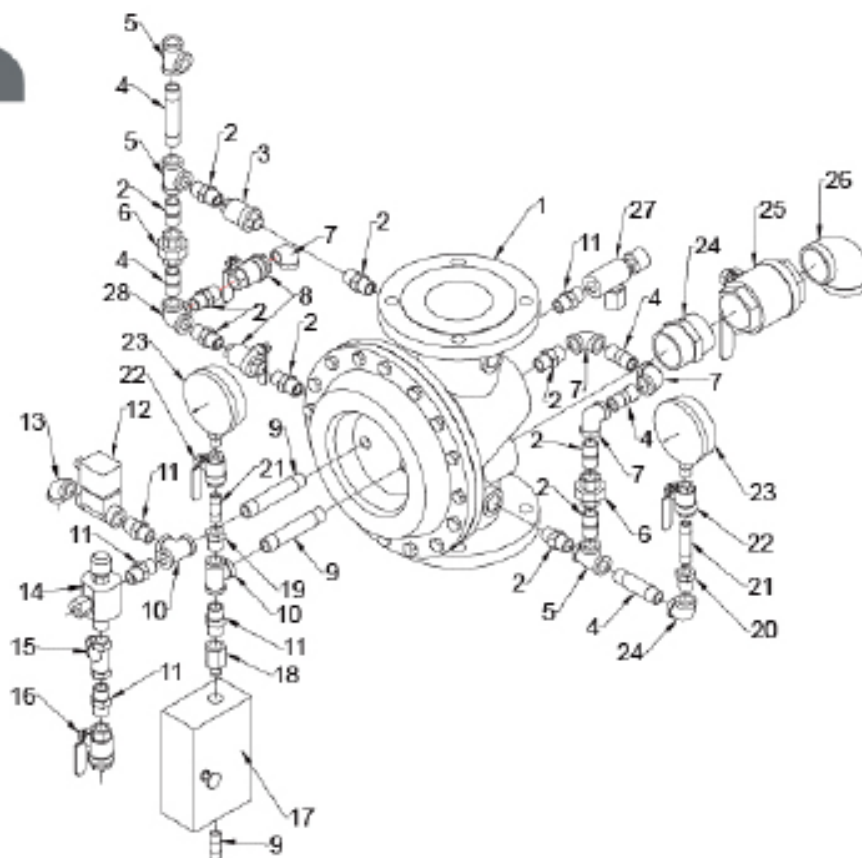
Type Description

GY56X	FXG 250PSI
GY56X-300	FXG 300PSI



Type Description

GY86X	GXG 250PSI
GY86X-300	GXG 300PSI



NO.	Name	Qty	Size	Material	Standard
1	Deluge valve	1			
2	Butt joint	n	3/4"	DMCF8/CF8MC95400/C95800	ASTM A536/A351/B148
3	Check valve	1	3/4"	CF8/CF8M/C95400/C95800	ASTM A351/B148
4	Pipe fittings	n	3/4"	Gr./TP304/C60800	ASTM A53/A312/B111M
5	Tee joint	n	3/4"	DMCF8/CF8MC95400/C95800	ASTM A536/A351/B148
6	Union	2	3/4"	DMCF8/CF8MC95400/C95800	ASTM A536/A351/B148
7	90° Joint	n	3/4"	DMCF8/CF8MC95400/C95800	ASTM A536/A351/B148
8	Ball valve	2	3/4"	CF8/CF8M/C95400/C95800	ASTM A351/B148
9	Pipe fittings	n	1/2"	Gr./TP304/C60800	ASTM A53/A312/B111M
10	Tee joint	2	1/2"	DMCF8/CF8MC95400/C95800	ASTM A536/A351/B148
11	Butt joint	n	1/2"	DMCF8/CF8MC95400/C95800	ASTM A536/A351/B148
12	Solenoid valve	1	1/2"		
13	90° Joint	n	1/2"	DMCF8/CF8MC95400/C95800	ASTM A536/A351/B148
14	Manual reset valve	1	1/2"		
15	Y type filter	1	1/2"	CF8/CF8M/C95400/C95800	ASTM A351/B148
16	Ball valve	2	1/2"	CF8/CF8M/C95400/C95800	ASTM A351/B148
17	Emergency release valve bank	1			
18	Release valve joint	1	1/2"	DMCF8/CF8MC95400/C95800	ASTM A536/A351/B148
19	Joint	1	1/2"-1/4"	DMCF8/CF8MC95400/C95800	ASTM A536/A351/B148
20	Joint	1	3/4"-1/2"	DMCF8/CF8MC95400/C95800	ASTM A536/A351/B148
21	Pipe fittings	n	1/4"	Gr./TP304/C60800	ASTM A53/A312/B111M
22	Ball valve	2	1/4"	CF8/CF8M/C95400/C95800	ASTM A351/B148
23	Pressure gauge	2			
24	Butt joint	1	3/4"-2"	DMCF8/CF8MC95400/C95800	ASTM A536/A351/B148
25	Ball valve	1	3/4"-2"	CF8/CF8M/C95400/C95800	ASTM A351/B148
26	90° Joint	1	3/4"-2"	DMCF8/CF8MC95400/C95800	ASTM A536/A351/B148
27	Drip valve	1	1/2"		
28	Stereoscopic tee joint	1	3/4"	DMCF8/CF8MC95400/C95800	ASTM A536/A351/B148