

CX Conventional Manual Callpoints

Avertisseurs D'incendie Manuels Adressables
Aufzubare Manuelle Feuermeldestellen
Adresseerbare Handmeldpunten
Adresserbar Manuell Larmpunkt

Pulsador Manual Direccionable
Avvisatori Di Incendio Manuali Indirizzabili
Διευθυσιοδοτουμενα Χειροκινητα Μπουτον
Αναγγελιας Πυρκαγιας

Konwencjonalne Ręczne
Ostrzegacze Pożarowe

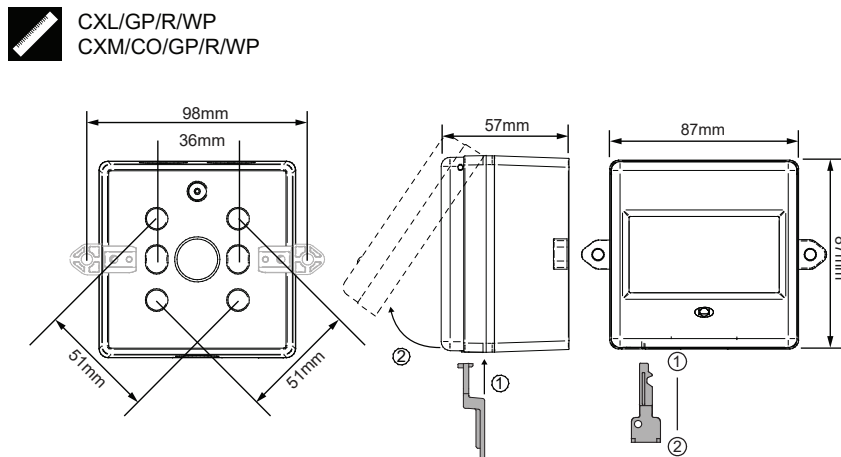
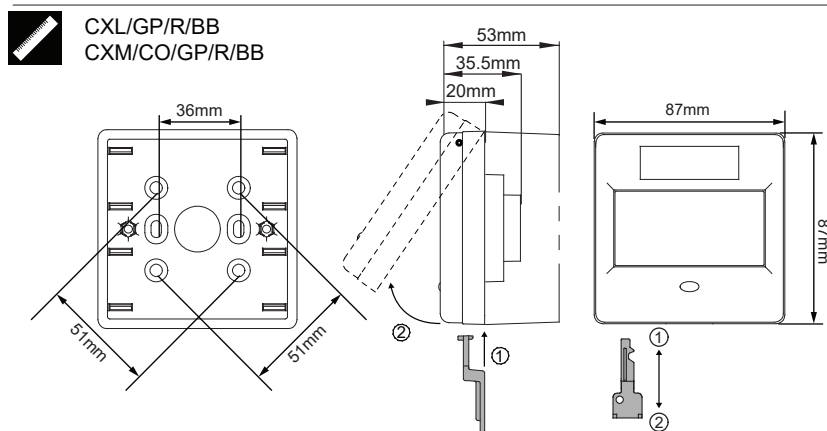
Technical Data


 2831	CXL/GP/R/BB	DoP0071*	14	EN54-11:2001+A1:2005 Fire Alarm Device - Manual Callpoint
	CXL/GP/R/WP	DoP0073*	14	EN54-11:2001+A1:2005 Dispositif d'alarme incendie - Avertisseur d'incendie manuel
		DoP0074**	14	EN54-11:2001+A1:2005 Feueralarmgerät - manuelle Feuermeldestelle
	CXM/CO/GP/R/BB	DoP0076*	14	EN54-11:2001+A1:2005 Brandmeldinstallatie - handmeldpunt
		DoP0078*	14	EN54-11:2001+A1:2005 Brandlarmsenhet - Manuell larmpunkt
CXM/CO/GP/R/WP	DoP0078*	14	EN54-11:2001+A1:2005 Dispositivo de alarma de fuego - Pulsador manual	
	DoP0077**	14	EN54-11:2001+A1:2005 Dispositivo di rivelazione incendio - Avvisatore manual Ευρωπαϊκό Πρότυπο EN54-11:2001+A1:2005 Συσκευή Συναγερμού Πυρκαγιάς - Χειροκίνητο Μπουτόν Αναγγελίας Ευρωπαϊκό Πρότυπο EN54-11:2001+A1:2005 SYSTEMY SYGNALIZACJI POŻAROWEJ - RĘCZNE POŻAROWE	

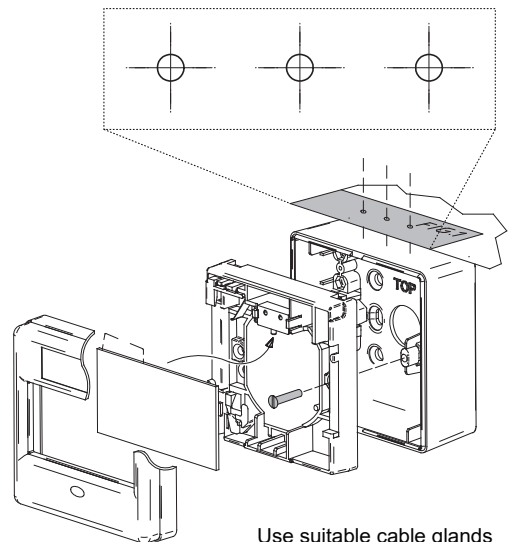
* Manufactured by Digital Lighting Co. Ltd, China
** Manufactured by Eaton Electrical Products Ltd, UK

	CXL/GP/R	CXM/CO/GP/R	CXL/GP/R/WP	CXM/CO/GP/R/WP
Operating voltage	9 to 30VDC			
Switch Characteristics	470 ohms / 680 ohms	3A SPCO	470 ohms / 680 ohms	3A SPCO
Cable size	FIRETUF, FP200 or MICC 0.28mm ² ~ 2.5mm ²			
Ambient temperature (min/max)	-10 °C to +55 °C (95%RH)		-25 °C to +70 °C (95%RH)	
Material	ABS V0			
Environmental category (IP rating)	Indoor IP24D*		Outdoor IP66*	

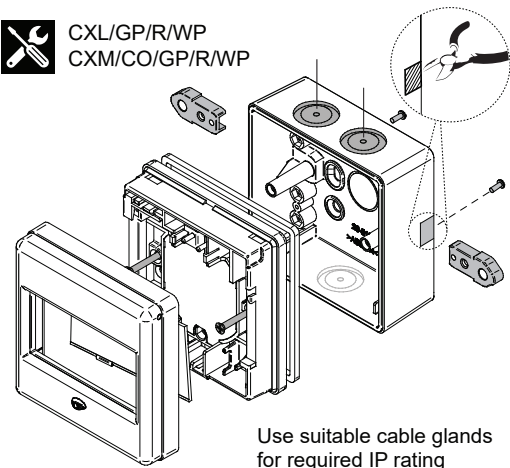
* Manufacturer's declaration




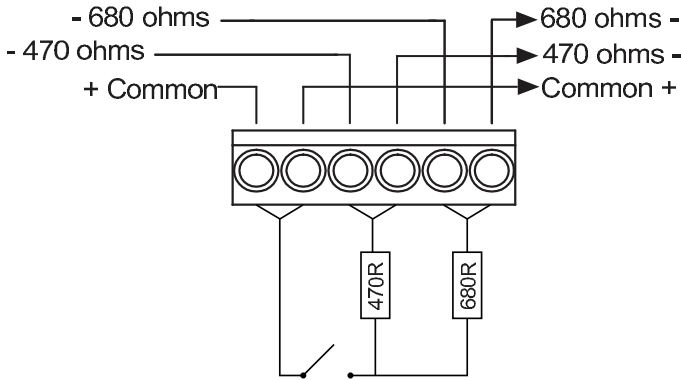
 CXL/GP/R/BB
CXM/CO/GP/R/BB



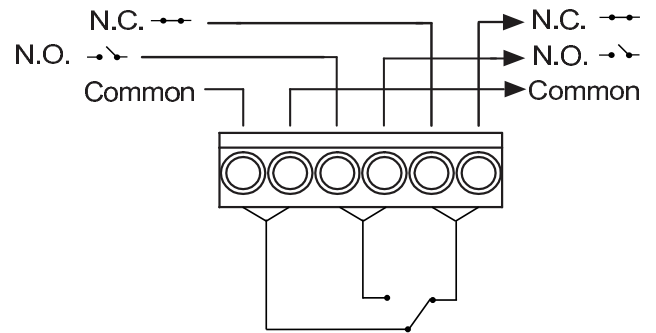
 CXL/GP/R/WP
CXM/CO/GP/R/WP



 470 ohms / 680 ohms



 3A SPCO

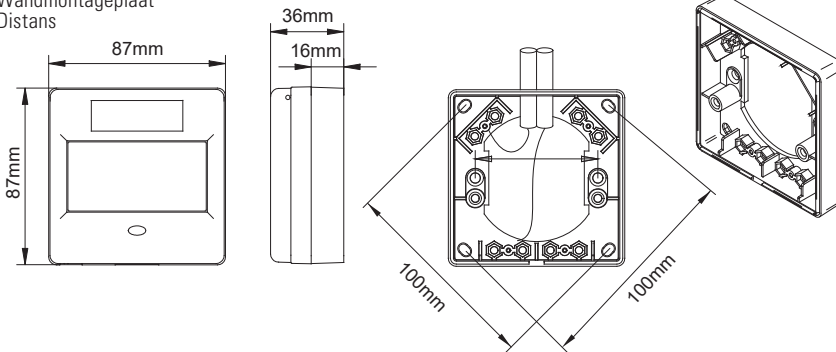


CALLPOINT ACCESSORIES

Accessoires Pour Avertisseurs D'incendie
Feuermeldstellenzubehör
Meldpunt-Accessoires

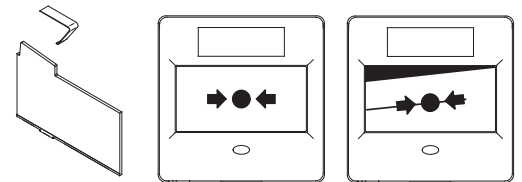
Akcesoria Do Ręcznych Ostrzegaczy Pożarowych
Tillbehör För Larmpunkter
Accesorios De Los Pulsadores
Accessori Avvisatori Di Incendio
Παρελκομενα Μπουτον Αναγγελιας

SPACER
Entretoise
Distanzstück
Wandmontageplaat
Distans
Espaciador
Distanziatore
Διαχωριστικός Αποστατής

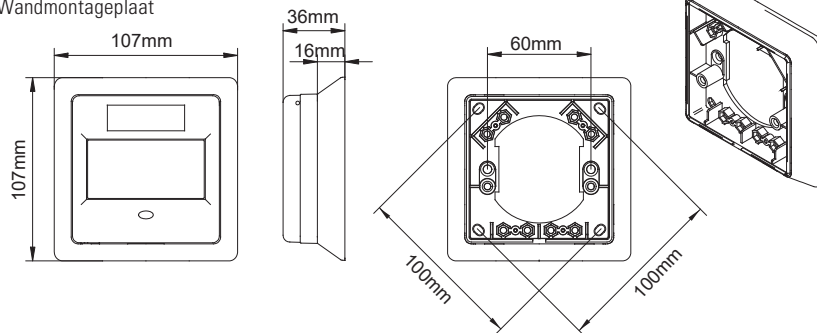


RE-SETTABLE PLASTIC ELEMENT

Élément En Plastique Ré-Encastrable
Rückstellbares Kunststoffelement
Herbruikbaar Plastic Ruitje
Återställbart Plastelement
Elemento Plástico
Reemplazable
Elemento In Plastica
Regolabile
Επαναφερομενο Πλαστικο
Στοιχειο
Plastikowy Element Zamienny

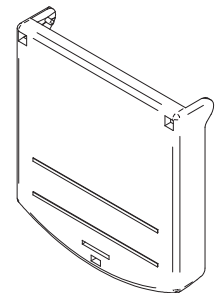


BEZEL
Collerette
Blende
Afgeschiinde
Wandmontageplaat
Infatting
Bisel
Cornice
Δακτυλιος Συγκρατησης
Ramka Montażowa



CLEAR HINGED FLAP

Clapet Articulé Transparent
Durchsichtige Klappe Mit Scharnier
Doorzichtige Scharnierende Deksel
Genomskinligt Uppfällbart Lock
Tapa Levantable Transparente
Sportellino Ribaltabile
Trasparente
Διαφανες Αρθρωτο Καλυμμα
Pokrywa Ochronna



Eaton
EMEA Headquarters
Route de la Longeraie 7
1110 Morges, Switzerland
Eaton.eu
TEL: +44 (0) 1302 321541
FAX: +44 (0) 1302 303220
Firesales@eaton.com
Firetechsupport@eaton.com

Eaton Electrical Products Ltd.
Llantarnam Park
Cwmbran
NP44 3AW
TEL: +44 (0)1633 628500
FAX: +44 (0)1633 876007

© 2020 Eaton
All Rights Reserved
Eaton is a registered trademark.

All trademarks are property
of their respective owners.
www.eaton.com