

WP7-PT Momentary Push Button Manual Call Point

The weatherproof WP7-PT tool reset push button manual call points feature a robust GRP enclosure with a 316 stainless steel mechanism and IP66/67 rating – designed for reliable initiation in the harshest of environments. SIL2 compliant to IEC 61508 (2010).

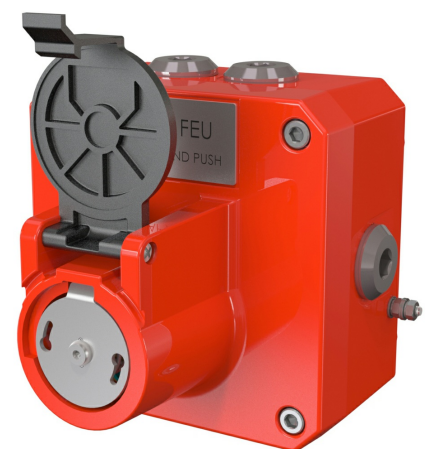
The UV stable glass reinforced polyester enclosure can withstand the rigours of on and offshore safe area installations. The extended operating temperature range, stainless steel mechanism and latching lift flap ensures the WP7-PT provides a reliable latching switch activation.

Features

- Robust corrosion proof GRP enclosure
- Anti-static & UV stable
- Ingress protection IP66/67
- Single or double switch
- 316 (A4) Stainless Steel mechanism
- Latching lift flap
- 3 x M20 cable entries, 2 x Stopping plugs included
- Captive stainless steel fasteners

Approvals

- SIL2 compliant to IEC 61508 (2010)

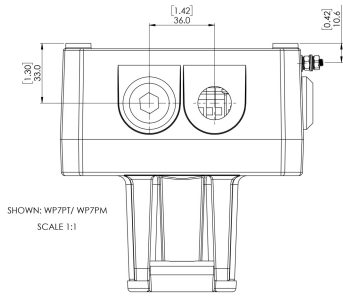


Specification

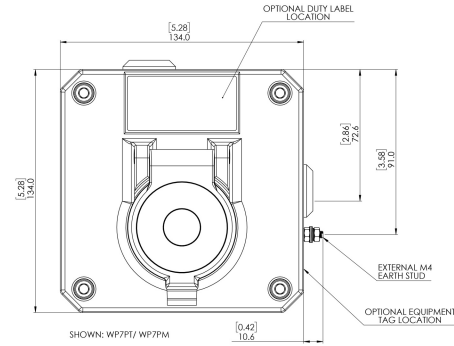
WP7-PT:	Weatherproof tool reset push button
Switch rating:	AC voltage 250V Max Current 5.0A Max DC voltage 75V Max Current 0.75A Max DC voltage 50V Max Current 1.0A Max DC voltage 30V Max Current 5.0A Max Resistive Load; Inductive Load 3.0A Max DC voltage 12V Max Current 5.0A Max
Temp. Range:	-55°C to +75°C
Ingress protection:	EN/IEC 60529 – IP66/67
Enclosure matl:	GRP Glass Reinforced Polyester
Colour:	RAL3000 Red Other solid and striped colours available
Cable entries:	2 x M20x1.5 top and 1 x M20x1.5 side. Back box can be rotated to give 2 x bottom and 1 x side entries
Stopping plugs:	2 x Stopping plugs as standard Nylon, Brass, Nickel plated or Stainless Steel
Terminals:	DIN rail 8 × 2.5mm ² SAK2.5 or Termination board featuring 6 × 2.5mm ² terminals plus 4 x dedicated EOL & Series terminals
Earth:	External M5 earth connection
Weight:	2.1Kg/4.63lbs

Part Codes

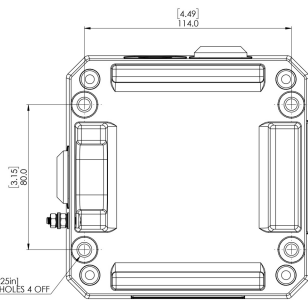
Version:	Part references:	Description:
Product type:	WP7PT	Tool reset push button
Switch Type: [s]	S D	SPCO/SPDT DPCO/DPDT
Terminals: [t]	D P	DIN Rail 8 × SAK2.5 Termination board: 6 × 2.5mm ² terminals plus 4 × EOL & Series terminals
Lift flap: [l]	L	Lift flap supplied as standard
Cable Entry Type: [e]	A B C D E F G	3 x M20x1.5mm 2 × 1/2" NPT – adaptors 2 × 3/4" NPT – adaptors 2 x M25x1.5mm – adaptors 1 × 1/2" NPT – adaptor 1 × 3/4" NPT – adaptor 1 x M25x1.5mm – adaptor
Stopping plug material: [m]	N B P S	Nylon Brass Nickel Plated Brass Stainless Steel
Duty label / Equipment tag: [d]:	1 2 3 4 5 6 7	No Duty label, no Equip. tag Duty label Stainless Steel Duty label St/St + Equip. tag Duty label Metalised Polyester Duty label M. Poly. + Equip. tag Equip. tag only Special label requirement
Product version: [v]	A1	CE marked SIL2 compliant
Enclosure colour: [x]	R B N Y V S K M Z	Red Blue Green Yellow Red/White Yellow/Black Black Magenta Red/Black
Default variable: [u]	N	Default = N – not currently used
E.O.L. Module: [e] optional	ExxxR ED1 ExxxZ	Resistor value in Ohms e.g. E470R = 470 Ohm Diode IN4007 = ED1 Zener diode e.g. E5V1Z = 5.1V
Series Module: [s] optional	SxxxR SD1 SxxxZ	Resistor value in Ohms e.g. S1K5R = 1.5K Ohm Diode IN4007 = SD1 Zener diode e.g. S5V1Z = 5.1V
Spares:		
SP70-0074		Spare WP7-PT Reset Key
Accessories:		
SP65-0001-A2		Pole Mount Bracket Kit 2" St/St A2 (304)
SP65-0001-A4		Pole Mount Bracket Kit 2" St/St A4 (316)
SP65-0002-A2		Sunshade – St/St A2 (304)
SP65-0002-A4		Sunshade – St/St A4 (316)



SHOWN: WP7PT/ WP7PM
SCALE 1:1

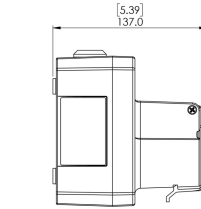
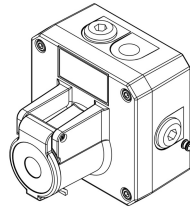


SHOWN: WP7PT/ WP7PM
SCALE 1:1

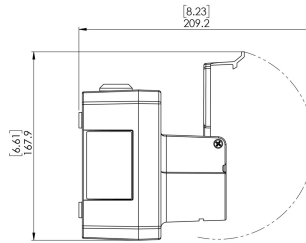


SCALE 1:1

ISOMETRIC VIEW SHOWN
WP7PT/ WP7PM
PUSH BUTTON - TOOL RESET CALL POINT
PUSH BUTTON - MOMENTARY ACTION CALL POINT

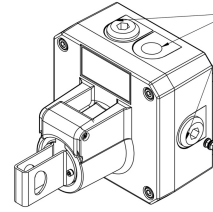


SIDE VIEW SHOWN WITH FLIP LID CLOSED



SIDE VIEW SHOWN WITH FLIP LID OPEN

ISOMETRIC VIEW SHOWN
WP7PS
PUSH BUTTON CALL POINT



3-OFF M20 x 1.5 CABLE GLAND OR STOPPING PLUG TO BE USED IN EACH ENTRY

