

# WP7-PB Dual Action Push Button Manual Call Point

The weatherproof WP7-PB dual action twist push button manual call points feature a robust GRP enclosure with a 316 stainless steel mechanism and IP66/67 rating – designed for reliable initiation in the harshest of environments. SIL2 compliant to IEC 61508 (2010).

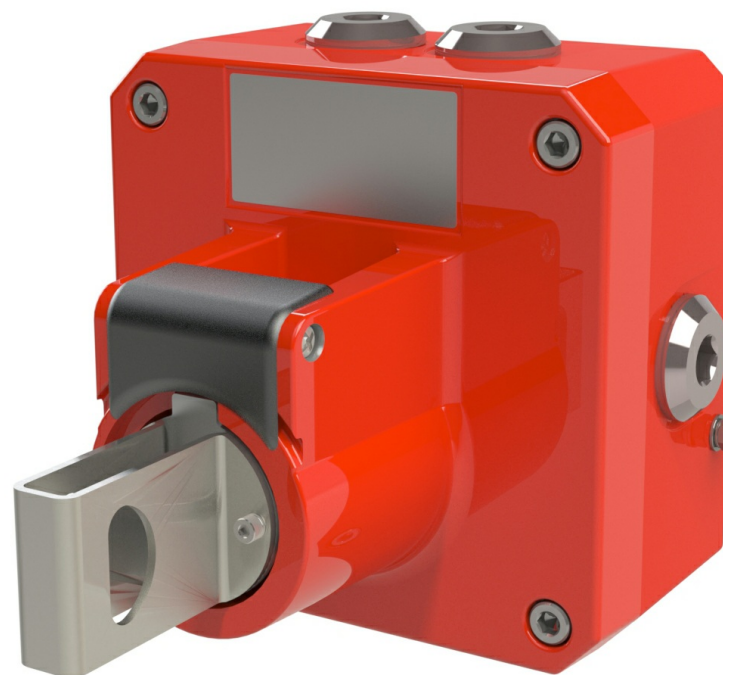
The UV stable glass reinforced polyester enclosure can withstand the rigours of on and offshore safe area installations. The extended operating temperature range, stainless steel mechanism and latching lift flap ensures the WP7-PB provides a reliable dual action twist and push switch activation.

## Features

- Robust corrosion proof GRP enclosure
- Anti-static & UV stable
- Ingress protection IP66/67
- Single or double switch
- 316 (A4) Stainless Steel mechanism
- 3 x M20 cable entries, 2 x Stopping plugs included
- Captive stainless steel fasteners

## Approvals

- SIL2 compliant to IEC 61508 (2010)

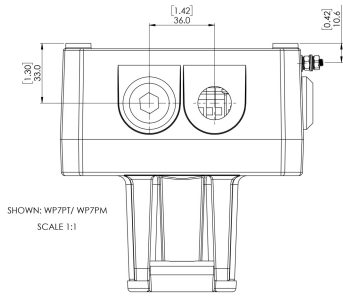


## Specification

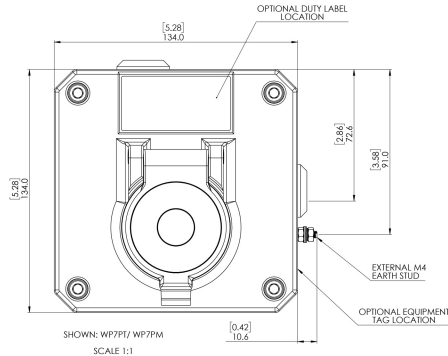
<b>WP7-PB:</b>	Weatherproof dual action push button
Switch rating:	AC voltage 250V Max Current 5.0A Max DC voltage 75V Max Current 0.75A Max DC voltage 50V Max Current 1.0A Max DC voltage 30V Max Current 5.0A Max Resistive Load; Inductive Load 3.0A Max DC voltage 12V Max Current 5.0A Max
Temp. Range:	-55°C to +75°C
Ingress protection:	EN/IEC 60529 – IP66/67
Enclosure matl:	GRP Glass Reinforced Polyester
Colour:	RAL3000 Red Other solid and striped colours available
Cable entries:	2 x M20x1.5 top and 1 x M20x1.5 side. Back box can be rotated to give 2 x bottom and 1 x side entries
Stopping plugs:	2 x Stopping plugs as standard Nylon, Brass, Nickel plated or Stainless Steel
Terminals:	DIN rail 8 × 2.5mm <sup>2</sup> SAK2.5 or Termination board featuring 6 × 2.5mm <sup>2</sup> terminals plus 4 x dedicated EOL & Series terminals
Earth:	External M5 earth connection
Weight:	2.1Kg/4.63lbs

## Part Codes

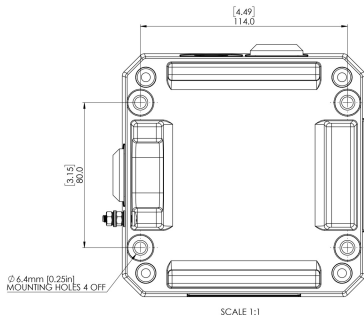
Version:	Part references:	Description:
Product type:	WP7PB	Dual action push button
Switch Type: [s]	S D	SPCO/SPDT DPCO/DPDT
Terminals: [t]	D P	DIN Rail 8 × SAK2.5 Termination board: 6 × 2.5mm <sup>2</sup> terminals plus 4 × EOL & Series terminals
Lift flap: [l]	L	Lift flap supplied as standard
Cable Entry Type: [e]	A B C D E F G	3 x M20x1.5mm 2 × 1/2" NPT – adaptors 2 × 3/4" NPT – adaptors 2 x M25x1.5mm – adaptors 1 × 1/2" NPT – adaptor 1 × 3/4" NPT – adaptor 1 x M25x1.5mm – adaptor
Stopping plug material: [m]	N B P S	Nylon Brass Nickel Plated Brass Stainless Steel
Duty label / Equipment tag: [d]:	1 2 3 4 5 6 7	No Duty label, no Equip. tag Duty label Stainless Steel Duty label St/St + Equip. tag Duty label Metalised Polyester Duty label M. Poly. + Equip. tag Equip. tag only Special label requirement
Product version: [v]	A1	CE marked SIL2 compliant
Enclosure colour: [x]	R B N Y V S K M Z	Red Blue Green Yellow Red/White Yellow/Black Black Magenta Red/Black
Default variable: [u]	N	Default = N – not currently used
E.O.L. Module: [e] optional	ExxxR ED1 ExxxZ	Resistor value in Ohms e.g. E470R = 470 Ohm Diode IN4007 = ED1 Zener diode e.g. E5V1Z = 5.1V
Series Module: [s] optional	SxxxR SD1 SxxxZ	Resistor value in Ohms e.g. S1K5R = 1.5K Ohm Diode IN4007 = SD1 Zener diode e.g. S5V1Z = 5.1V
Accessories:		
SP65-0001-A2	Pole Mount Bracket Kit 2" St/St A2 (304)	
SP65-0001-A4	Pole Mount Bracket Kit 2" St/St A4 (316)	
SP65-0002-A2	Sunshade – St/St A2 (304)	
SP65-0002-A4	Sunshade – St/St A4 (316)	



SHOWN: WP7PT / WP7PM  
SCALE 1:1

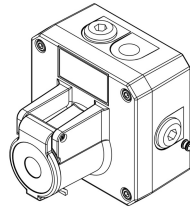


SHOWN: WP7PT / WP7PM  
SCALE 1:1

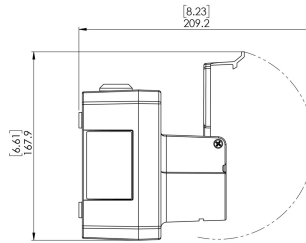
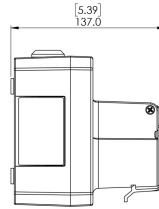


SCALE 1:1

ISOMETRIC VIEW SHOWN  
WP7PT / WP7PM  
PUSH BUTTON - TOOL RESET CALL POINT  
PUSH BUTTON - MOMENTARY ACTION CALL POINT



SIDE VIEW SHOWN WITH FLIP LID CLOSED



SIDE VIEW SHOWN WITH FLIP LID OPEN

ISOMETRIC VIEW SHOWN  
WP7PS  
PUSH BUTTON CALL POINT

