

NON-ADDRESSABLE CHIME NOTIFICATION APPLIANCE

VL-W-M

■ Description

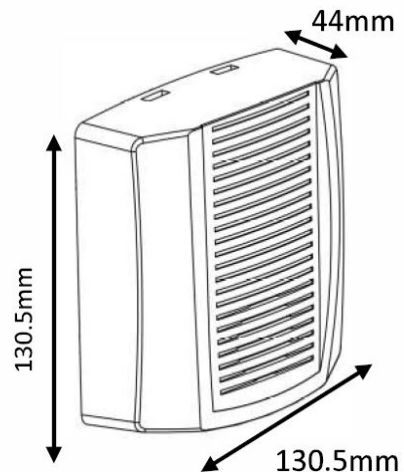
The VL-W-M is an indoor only, 2-wired DC 24V non-addressable multi audible alarm appliance. It has the ability to adjust the tone and sound output levels. This product is intended to be mounted or installed onto a wall. It has been designed to be connected to a Velocity control panel NAC where the sound between chimes in the same circuit area can be synchronized. Caution: When an alarm signal is emitted, it means there may be an emergency, and should be paid attention to immediately.



■ Features

- Designed to meet UL requirements.
- Compatible with all Velocity NAC circuits.
- Adjustable tone and sound output levels.
- Designed to be wall mounted.
- Indoor use only.
- Powered by 2-wire DC 24V.
- Can be installed in a standard square 4-inch double gang box.
- Horns on the same NAC can be synchronized.

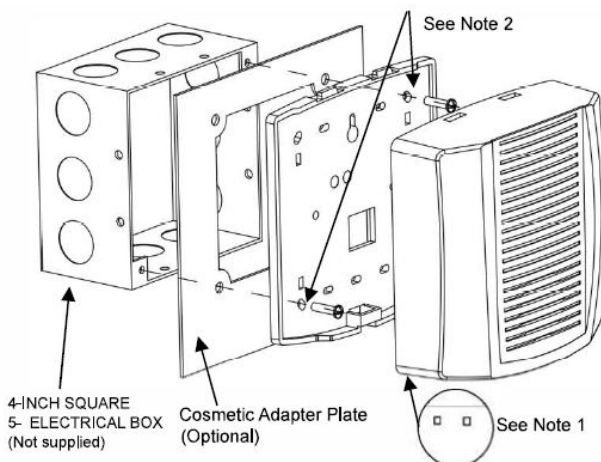
■ Dimensions



■ Mounting

Products can be installed in standard square 4-inch double gang box. Before installing and wiring, the power of the NAC must be powered off. After the completion of the terminal wiring, ensure that the terminals are locked. It is recommended to install a Cosmetic Adapter Plate before installing the Notification devices products. Please check the cosmetic adapter plate installation instructions for details.

Note 2: The product attaches directly to a standard 4-inch square electrical box(not supplied) flush mounted or surface mounted. Attach the product to the back cover using two screws (supplied) mounted.



Note 1: To remove the cover, depress the snap at the bottom of the product with a key(or flat tip screwdriver) while pulling the cover up with the other hand.

▪ Specifications

Specification	VL-W-M
Colour	White or Red Available
Design Standard	UL 464
Approval	UL Laboratories
Nominal Voltage	Regulated 24V DC
Operating Voltage Range	Regulated 16 VDC to 33 VDC
Operating Temperature	32° to 120° F (0° to 49° C)
Humidity Range	10% to 93%, non-condensing at 100° F
Dimensions (HxWxD)	130.5mm x 130.5mm x 44mm
Terminal Wiring Size	18 AWG to 12 AWG
Mounting Position	Wall
Material	PA-763
IP Rating	23
Mouting Box	4 x 4 Inch Double Gang Box

▪ Product Codes

Wall Mount Multitone (White)	VL-W-M-W
Wall Mount Multitone (Red)	VL-W-M-R

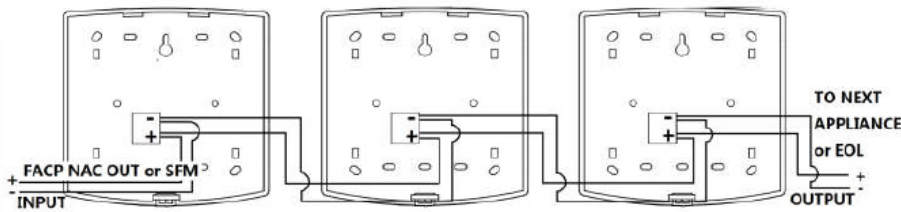
▪ Sound Level

Output Sound Level	Maximum Operating Current RMS
High	55mA
Standard	55mA

▪ Wiring

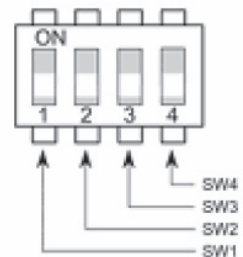
In order to ensure that the total current consumption of the circuit does not exceed the maximum load current of the NAC module, the device quantity must be considered in the design of system.

If a NAC has the maximum number of notification appliance connected, any loss of voltage must be calculated to ensure notification products work within their rated voltage range. Please refer to the FACP or NAC and other equipment installation instructions.



▪ Switch Settings

Switch Settings				Horn Mode	Sound Pressure Level Measurement (dBA)
SW4	SW1	SW2	SW3	Tone	Reverberant Room at 10 Feet Per UL464
1 (High Output)	1	1	1	Broadband Horns	80.5
	1	1	0	Horn	80.9
	1	0	1	Bell	76.7
	1	0	0	Siren	75.8
	0	1	0	Slow Whoop	77.9
	0	0	1	500Hz Horn	83.1
	0	0	0	Hi/Low	82.5
	0	1	1	Reserved	Horn Off
0 (Standard Output)	1	1	1	Broadband Horns	74.6
	1	1	0	Horn	75.8
	1	0	1	Bell	70.2
	1	0	0	Siren	68.6
	0	1	0	Slow Whoop	66.5
	0	0	1	500Hz Horn	73.9
	0	0	0	Hi/Low	72.7



All specifications are subject to change without any notice. For more information, contact with VELOCITY.



Zeta Alarms Limited
72-78 Morfa Road, Swansea
SA1 2EN
Tel: +44 1792 455 175 FAX: +44 1792 455 176

Distributed By