

NON-ADDRESSABLE CHIME & MULTI-CANDELA NOTIFICATION APPLIANCE VL-x-CS

■ Description

The VL-x-CS is a strobe and chime product which is non-addressable, powered by 2-wire DC24V and can be wall or ceiling mounted indoors. It can provide a 15cd, 30cd, 75cd, 110cd level strobe as well as a chime tone sound alarm.

The appliances are connected to, and activated by a UL listed Velocity control panel. When multiple appliances are connected to a NAC, the sound and light between products in the same circuit area can be synchronized.

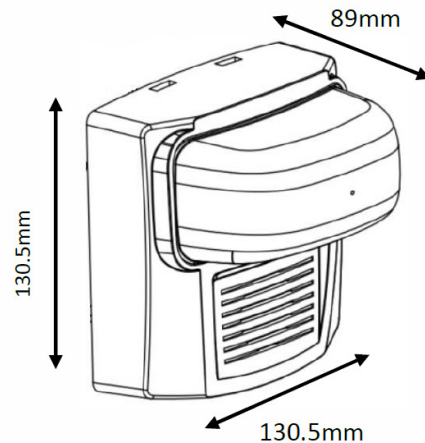
When an alarm signal is emitted, it means there may be an emergency, and should be paid attention immediately.

■ Features

- Designed to meet UL requirements.
- Compatible with all Velocity NAC circuits.
- Adjustable sound and light output levels.
- Designed to be wall or ceiling mounted.
- For private mode fire alarm use.
- Powered by 2-wire DC 24V.
- Can be installed in a standard square 4-inch double gang box.
- Chimes and strobes on the same NAC can be synchronized.



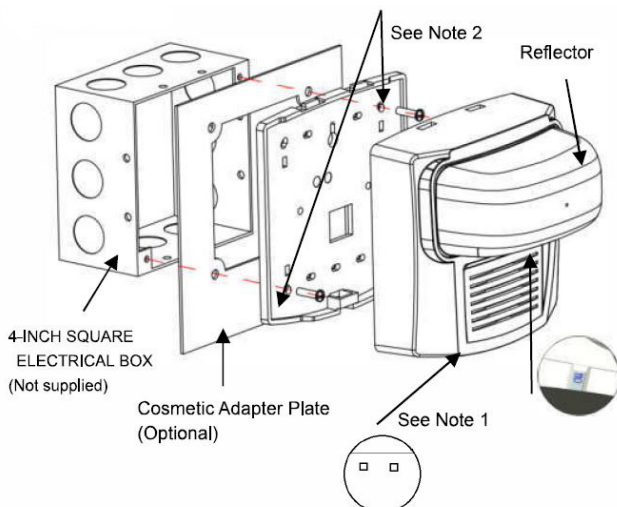
■ Dimensions



■ Mounting

Products can be installed in standard square 4-inch double gang box. Before installing and wiring, the power of the NAC must be powered off. After the completion of the terminal wiring, ensure that the terminals are locked. It is recommended to install a Cosmetic Adapter Plate before installing the Notification devices products. Please check the cosmetic adapter plate installation instructions for details.

Note 2: The product attaches directly to a standard 4-inch square electrical box (not supplied), flush mounted or surface mounted. Attach the product to the back cover using two screws (supplied).



Note 1: To remove the cover, depress the snap at the bottom of the product with a key (or flat tip screwdriver) while pulling the cover up with the other hand.

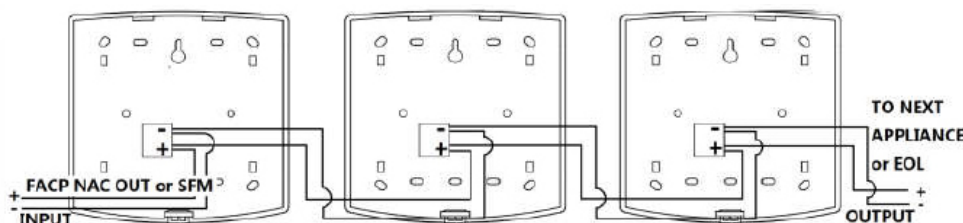
Specifications

Specification	VL-x-CS
Colour	White or Red Available
Design Standard	UL 464
Approval	UL Laboratories
Nominal Voltage	Regulated 24V DC
Operating Voltage Range	Regulated 16 VDC to 33 VDC
Strobe Flash Rate	1Hz
Operating Frequency Range	750~1250Hz
Operating Temperature	32° to 120° F (0° to 49° C)
Humidity Range	10% to 93%, non-condensing at 100° F
Dimensions (HxWxD)	130.5mm × 130.5mm × 89mm
Terminal Wiring Size	18 AWG to 12 AWG
Mounting Position	Wall or Ceiling
Material	PA-763
IP Rating	23
Mouting Box	4 x 4 Inch Double Gang Box

Wiring

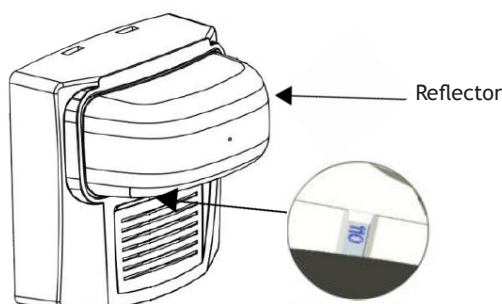
In order to ensure that the total current consumption of the circuit does not exceed the maximum load current of the NAC module, the device quantity must be considered in the design of system.

If a NAC has the maximum number of notification appliance connected, any loss of voltage must be calculated to ensure notification products work within their rated voltage range. Please refer to the FACP or NAC and other equipment installation instructions.



Strobe Light Output

There are four grades in the S/V appliance strobe strength: 15cd (factory pre-set), 30cd, 75cd, 110cd, adjust the slide switch to the required brightness which is placed in the back of the product, the reflector has a small window to observe the strength grade (See below). The strobe dispersion ratings of the product follows the standard UL 1971, the relationship between the angle and the strength is as in the following tables:



Product Codes

Wall Mount Chime/Strobe (White)	VL-W-CS-W
Wall Mount Chime/Strobe (Red)	VL-W-CS-R
Ceiling Mount Chime/Strobe (white)	VL-C-CS-W
Ceiling Mount Chime/Strobe (Red)	VL-C-CS-R

Sound & Light Characteristics

Candela Rating	Input Voltage Regulated DC	Maximum Operating Current RMS*
15	16VDC	131mA(*167)
30	16VDC	182mA(*235)
75	16VDC	286mA(*350)
110	16VDC	368mA(*441)

A/V Strobe current is measured with horn circuit steady ON () for ceiling current only.

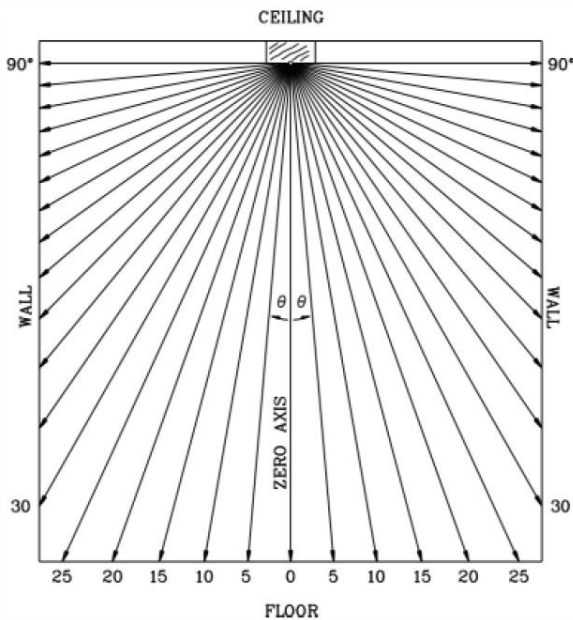
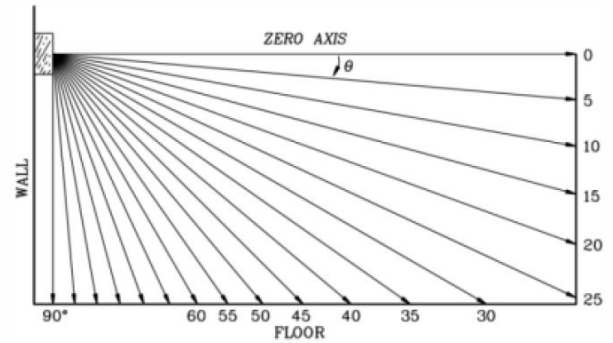
Sound Level	Maximum Reverberant Sound Pressure
750Hz	58.2dB
1000Hz	58.2dB
1250Hz	58.2dB

*Audible signal appliance for private mode only.

Wall Mount Strobe Vertical and Horizontal Light Dispersion Ratings (Room Temperature)

Vertical Dispersion (Wall to Floor)			Horizontal Dispersion		
X-Plane Degrees*	Percent of Rating	Typical Output	Y-Plane Degrees*	Percent of Rating	Typical Output
0	100		0	100	
5 - 30	90		±5 - 25	90	
35	65		±30 - 45	75	
40	46		±50	55	
45	34		±55	45	
50	27		±60	40	
55	22		±65 - 70	35	
60	18		±75 - 80	30	
65	16		±85 - 90	25	
70	15		Compound ±45 right	24	
75	13		Compound ±45 left	24	
80-90	12				

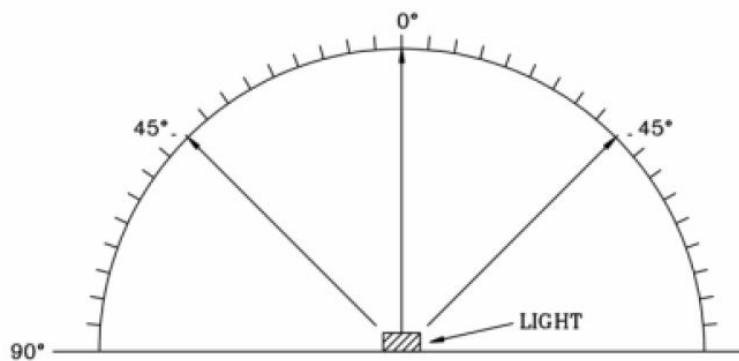
*Tolerance of ± 1 degree is permitted.



Ceiling Mount Strobe Vertical and Horizontal Light Dispersion Ratings (Room Temperature)

Vertical Dispersion			Horizontal Dispersion		
X-Plane Degrees*	Percent of Rating	Typical Output	Y-Plane Degrees*	Percent of Rating	Typical Output
0	100		0	100	
±5 - 25	90		±5 - 25	90	
±30 - 45	75		±30 - 45	75	
±50	55		±50	55	
±55	45		±55	45	
±60	40		±60	40	
±65 - 70	35		±65 - 70	35	
±75 - 80	30		±75 - 80	30	
±85 - 90	25		±85 - 90	25	
Compound ±45 right	24		Compound ±45 right	24	

*Tolerance of ± 1 degree is permitted.



All specifications are subject to change without any notice.
For more information, contact with VELOCITY.



Zeta Alarms Limited
72-78 Morfa Road, Swansea
SA1 2EN
Tel: +44 1792 455 175 FAX: +44 1792 455 176

Distributed By