

SF 300 Conventional Fire Alarm Siren

Description

SF 300 is an outdoor conventional piezo siren. It has a flat plastic cover, suitable for logo sticker with dimensions up to 220x160mm. The siren is equipped with 2 LED flash indicators.



Technical and Environmental Specifications

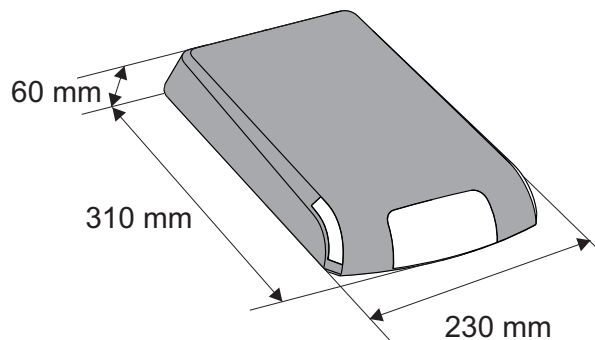
Operating Voltage Range	20-30VDC
Consumption	<17mA@24V
Sound output	96dB@1m
Sounder Type	Piezo
LED Indication	2 LEDs
Wire Gauge for Terminals	0.4mm ² - 2.0mm ²
Operating Temperature	-40°C to +85°C
Relative Humidity Resistance	(93 ± 3)% @ 40°C
Protection (for electronics)	IP54
Weight	~0.750kg
Dimensions	310x230x60mm
Materials (plastic), color	ABS, red

Compatible Product Range

- **MAG Series** - Conventional panels

Packing Information

- **Single packing box** - 1 unit SF 300 Conventional Fire Siren, dimensions 316x236x66mm
- **Carton packing box** - 5 units SF 300 Conventional Fire Siren, dimensions 360x345x252mm



Contact Information: