

Universal Mount Speaker & Ceiling Mount Speaker / Strobe (ZT-SSPKCLP Series)



Description

The Zeta ZT-SSPKCLP is a universal mount speaker and the Zeta ZT-SSPK24CLP is a ceiling mount, selectable candela speaker/strobe designed to meet the code requirements for visual and voice communications.

The ZT-SSPKCLR series are quality speaker products offering both dependable evacuation signalling and visual alarms, or a combination of both.

The high output tamperproof candela selections are 15, 30, 75, 95 and 115. The unit can be mounted in a 4" square x 2-1/8" back box, an extension ring is not needed.

The ZT-SSPKCLR provides a 25 or 70.7 VRMS speaker with field selectable power taps of 1/8W, 1/4W, 1/2W, 1W, 2W or 4W.

The ZT-SSPKCLR devices are listed to ANSI/UL 1971,



Features

- Speaker/strobe nominal voltage 24VDC
- 24VDC field selectable candelas: 15, 30, 60, 75 & 110
- Speaker only dimensions 155mm square x 75mm deep
- Speaker/Strobe dimensions 155mm square x 109mm deep
- Speaker voltage 25 or 70.7 Vrms standard, field selectable
- Power taps 1/8W, 1/4W, 1/2W, 1W, 2W, or 4W
- High quality dBA output (intelligible)
- Frequency range 400-4000 Hz
- Screw terminals – separate in/out wiring
- Tamperproof grill
- Universal mount speaker
- Ceiling mount speaker / Strobe

Ordering Information

ZT-SSPKCLPR	Speaker only, 25 or 70,70 VRMS, Universal mount, Red
ZT-SSPKCLPW	Speaker only, 25 or 70,70 VRMS, Universal mount, White
ZT-SSPK24CLPR	Speaker / strobe, 25 or 70,70 VRMS, Ceiling mount, FIRE text, Red
ZT-SSPK24CLPW	Speaker / strobe, 25 or 70,70 VRMS, Ceiling mount, FIRE text, White

SSPK24CLP Strobe Current Rating (mA)

Candela	24 VDC	UL Max
15	72 mA	120 mA
30	101 mA	120 mA
75	167 mA	200 mA
95	200 mA	220 mA
115	214 mA	290 mA

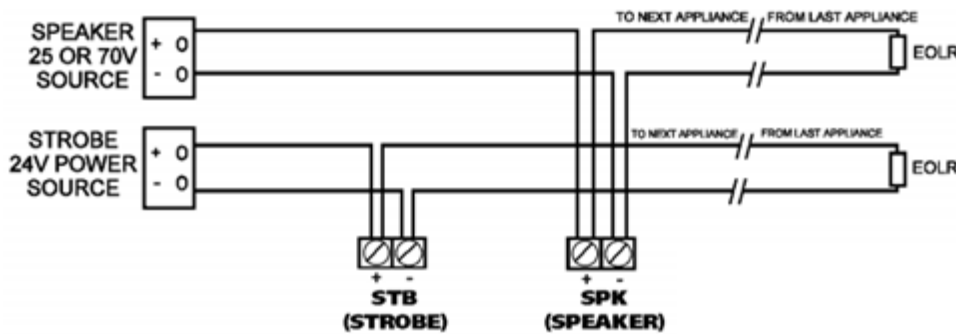
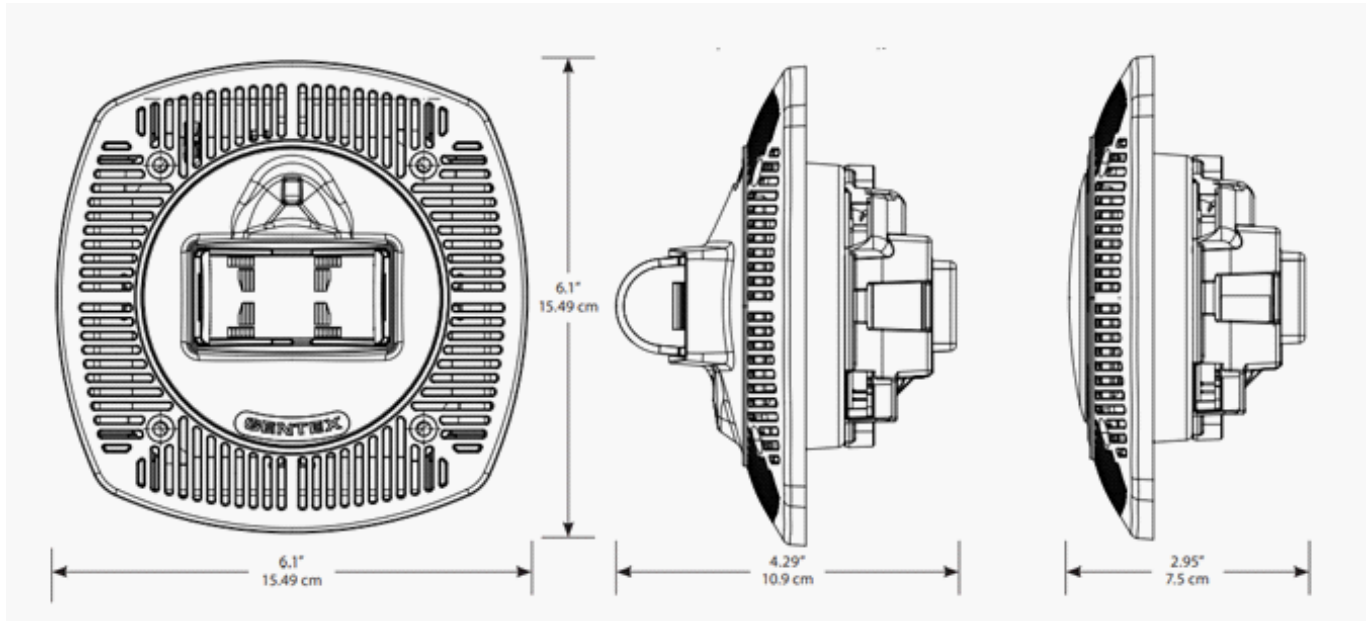
Speaker dBA @ 3 Meters

Input Watts	25 Volts	70.7 Volts
1/8	74.6 dBA	73.7 dBA
1/4	77.7 dBA	76.7 dBA
1/2	80.5 dBA	79.6 dBA
1	83.1 dBA	82.5 dBA
2	85.6 dBA	85.4 dBA
4	87.9 dBA	87.9 dBA

Universal Mount Speaker & Ceiling Mount Speaker / Strobe (ZT-SSPKCLP Series)



Dimensions



Wire Conductivity	
18 AWG	60
16 AWG	95
14 AWG	153
12 AWG	244

$$*MAX. WIRE DISTANCE (IN FEET) = \frac{PANEL VOLTAGE - DEVICE MINIMUM VOLTAGE}{TOTAL CURRENT DRAW} \times WIRE CONDUCTIVITY (STROBE ONLY)$$

Notes

- Operating temperature: 0°C to 49°C
- The ZT-SSPKCLPR & ZT-SSPKCLPW are not listed for outdoor use
- For nominal and peak current across ANSI/UL regulated voltage range for filtered DC power and unfiltered (FWR[Full Wave Rectified]) power, see instruction manual
- This appliance is not recommended for use on coded or pulsing signalling circuits