

- LED Technology for Long Service Life
- Quick and Simple to Install
- Cost Effective Installation Solution
- Multi-tone High Output Electronic Sounder
- 2.4 metres (m) Mounting Height
- Adjustable 7.6m to 5.6m Room Coverage Volume



The Protec 3000/SSR/VAD/FIR is a 24Volt Visual Alarm Device (VAD) with up to 7.6m x 7.6m room coverage and a high output electronic sounder with up to 100dB(A) at 1m. Combining the two functions in one compact high efficiency design improves the aesthetic appearance and simplifies the installation of the device.

The 3000/SSR/VAD/FIR offers best in class performance in terms of flexibility, power consumption, sound output and visual indication.

The device is categorised for installation at a height of up to 2.4m and coverage of 7.6m x 7.6m adjustable down to 5.6m or 3m for smaller room coverage. Similarly the tone and volume options are also selectable.

The product has a unique lens that distributes the light in a cuboid shape to achieve the required illumination of 0.4lux over the entire area in accordance with EN54-23.

The design is based on LED technology for long life, reliability and low power consumption.

The 3000/SSR/VAD/FIR has an IP65 rating making the product suitable for mounting internally or externally.

Compliant with DDA legislation, this high intensity VAD warns those with hearing impairments or in noisy environments.

Order Codes

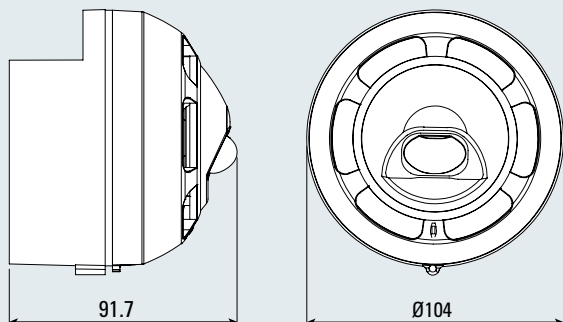
3000/SSR/VAD/FIR -
Red Sounder VAD c/w Deep Base

3000/SSW/VAD/FIR -
White Sounder VAD c/w Deep Base

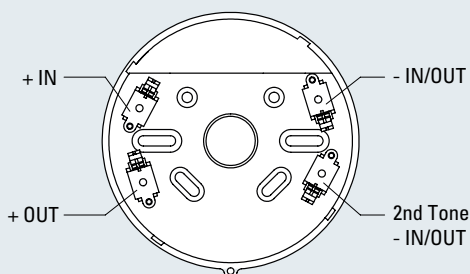
Technical Specification



Dimensions (mm)



Wiring Diagram



Technical Specification

Environment	-10 to 50°C, 95% R.H (non condensation or icing)
IP Rating	IP65
Weight	226g
Voltage	18 - 56V DC
Alarm Current	32mA (average) @ 24V DC (Tone 30)
Mounting Height (x)	2.4 metres
Coverage(y)	7.6m adjustable to 5.6m
Coverage Volume Code	W-2.4-7.6 (138.6m³)
Flash Rate	1s & 2s white flash
Mounting	Wall
Relevant Standard	EN54 Part 3 & 23

Design Guidance

Protec VAD's have been approved to BS EN 54-23 and use the rating codes below:

W-x-y (eg W-2.4-7)

Where:

W is wall mounted

x is the maximum height (M)

y is the horizontal distance of the square volume covered (Length x Width) (M)

BS EN 54-23 approved VAD's are approved as wall mounted and must provide a minimum illumination level of 0.4 lux for the stated volume.

Table A: Direct Viewing

Coverage volumes for various ambient light levels (lux)

BS EN54-23 Rating	W-2.4-7
Mounting Position	Wall
Less than 100 lux	36.4m x 36.4m
100 - 200 lux	30.8m x 30.8m
200 - 300 lux	22.4m x 22.4m
300 - 400 lux	16.1m x 16.1m
400 - 500 lux	12.6m x 12.6m
500 - 600 lux	9.1m x 9.1m
600 - 700 lux	7m x 7m
700 - 800 lux	4.9m x 4.9m

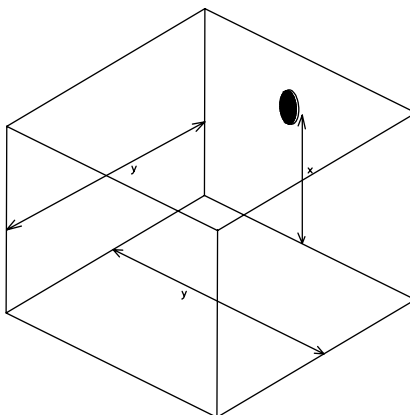
Table B: Indirect Viewing

Coverage volumes for various ambient light levels (lux)

BS EN54-23 Rating	W-2.4-7
Mounting Position	Wall
Less than 100 lux	12.6m x 12.6m
100 - 200 lux	11.9m x 11.9m
200 - 300 lux	9.8m x 9.8m
300 - 400 lux	8.4m x 8.4m
400 - 500 lux	7m x 7m
500 - 600 lux	6.3m x 6.3m
600 - 700 lux	*
700 - 800 lux	*

Coverage volumes height, diameter length and width dimensions are in metres.

* Where ambient light levels may, at any time, exceed 600 lux, direct viewing is preferred (CoP 001 clause 4.6.9.4)



VAD Coverage

Switch Number	Function	Combined Sder / VAD EN54-23 code / coverage volume
1 2 3		WHITE Flash
0 0 0	1s Low power	W-2.4-5.6/75m³
0 0 1	1s High power	W-2.4-7.6/138m³
0 1 0	2s Low power	W-2.4-5.6/75m³
0 1 1	2s High power	W-2.4-7.6/138m³

Tone Options

32 tone options available, please refer to page 2 of the 3000/SSR/FIR Datasheet (MED2290).