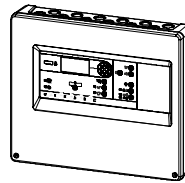


FC121-ZA / FC122-ZA

en	Fire control panel	pt	Painel de controlo
de	Brandmeldezentrale		
fr	Équipement de contrôle et signalisation		
es	Unidad de control de detección de incendios		
it	Centrale rivelazione incendio		
nl	Brandmeldcentrale		

en	Installation	pt	Instalação
de	Montage		
fr	Montage		
es	Montaje		
it	Montaggio		
nl	Montage		



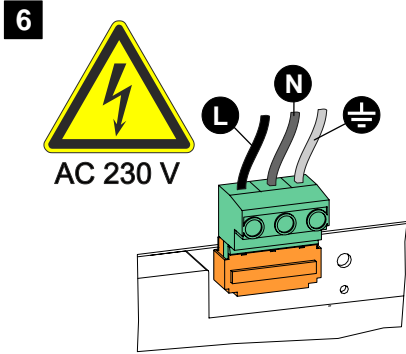
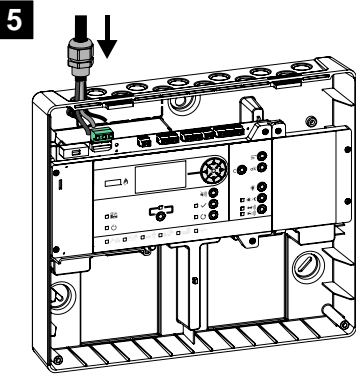
FC121-ZA, S54400-C131-A1
FC122-ZA, S54400-C130-A1

1

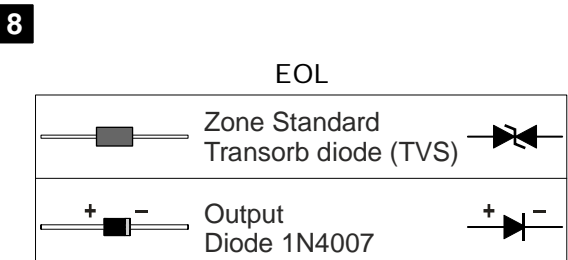
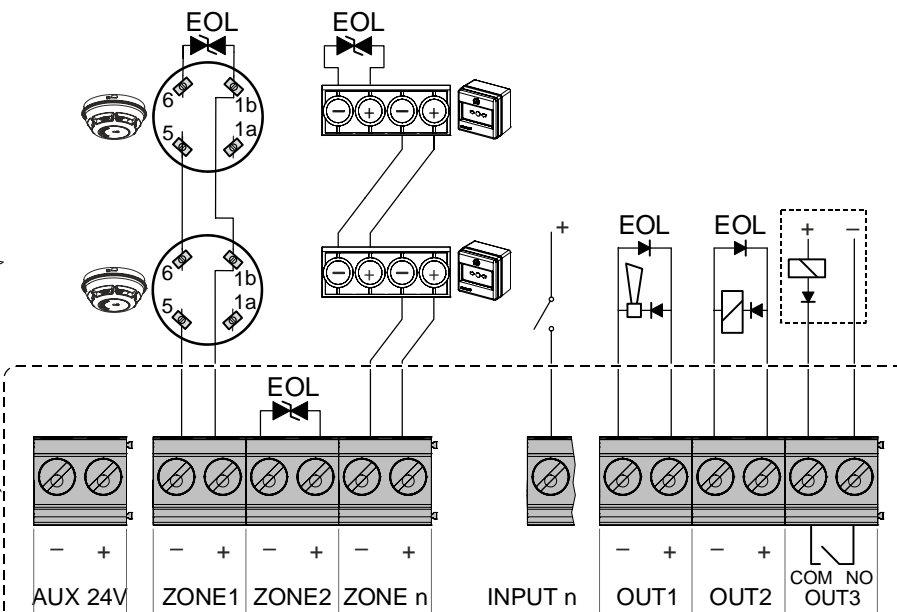
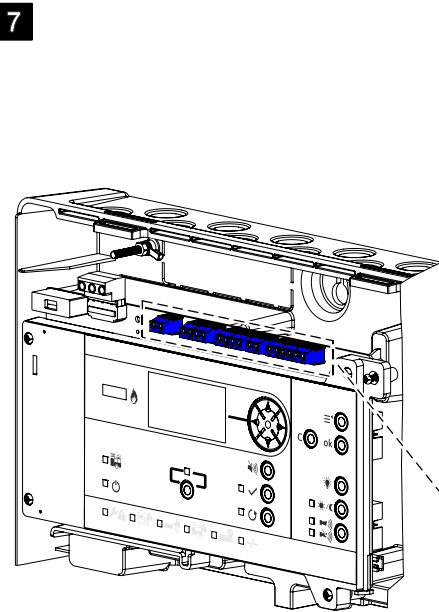
2

3

4

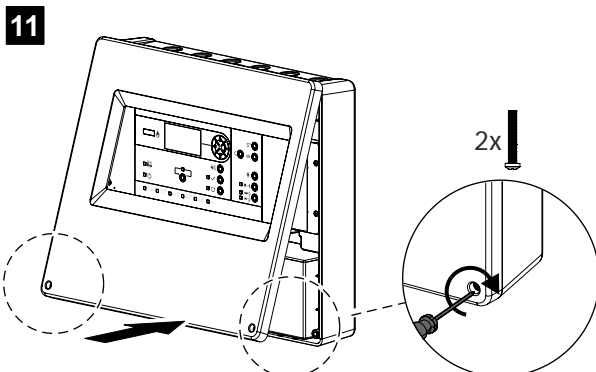
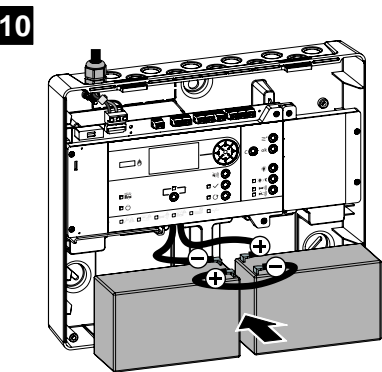


en	Switch off main supply AC 230 V
de	Netzspeisung AC 230 V ausschalten
fr	Couper l'alimentation réseau AC 230 V
es	Desconectar la fuente de alimentación de red AC 230 V
it	Disinserire l'alimentazione di rete AC 230 V
nl	Netvoeding AC 230 V uitschakelen
pt	Desligue a corrente elétrica AC 230 V

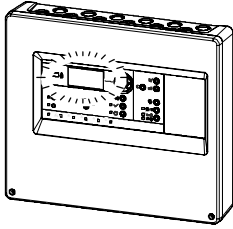


9

en	Switch on main supply AC 230 V
de	Netzspeisung AC 230 V einschalten
fr	Allumer l'alimentation réseau AC 230 V
es	Conectar la fuente de alimentación de red AC 230 V
it	Inserire l'alimentazione di rete AC 230 V
nl	Netvoeding AC 230 V inschakelen
pt	Ligue a corrente elétrica AC 230 V



12



13

Country settings	3
Presetting	< Factory > setting
Language	< English >



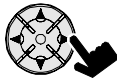
14

Country settings	3
Presetting	< DK >
Language	< English >



15

Country settings	3
Presetting	< DK >
Language	< English >



16

Country settings	3
Presetting	< DK >
Language	< English >

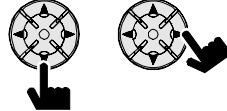


17

Country settings	3
Panel will restart!	

18

Set date & time	1
01.01.2000 00:00	



19



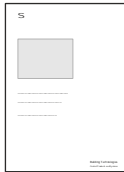
Set date & time	1
03.03.2013 14:10	




20

Normal Operation	
Siemens FC120	
03.03.2013 14:10	

21	en	Program and test the system
	de	System programmieren und testen
	fr	Programmer et tester le système
	es	Programar y probar el sistema
	it	Programmare e testare il sistema
	nl	Test het systeem
	pt	Programar e testar o sistema

  	en	You will find more information in document A6V10393190
	de	Weitere Informationen finden Sie im Dokument A6V10393190
	fr	Pour de plus amples informations, se référer au document A6V10393190
	es	Para más información al respecto, consulte el documento A6V10393190
	it	Per ulteriori informazioni si rimanda al documento A6V10393190
	nl	Meer informatie kunt u vinden in het inbedrijfstel document A6V10393190
	pt	Para mais informações, consulte o documento A6V10393190

www.siemens.com/buildingtechnologies

14		0832	Siemens Switzerland Ltd, Gubelstrasse 22 CH-6301 Zug, Switzerland Technical data: see doc. A6V10393190
FC121 / FC122 - control and indication equipment incl. 25W integrated power supply for use in fire detection and fire alarm systems installed in buildings			
305/2011/EU (CPR):EN 54-2 / EN 54-4; 2004/108/EC (EMC): EN 50130-4 / EN 61000-6-3; 2006/95/EC (LVD): EN 60950-1; 2011/65/EU (RoHS): EN 50581			
Declared performance and conformity can be seen in the Declaration of Performance and the EC Declaration of Conformity, which is obtainable via the Customer Support Center: Tel. +49 89 9221-8000 or http://siemens.com/bt/download			
DoP No.: 0832-CPR-F0250; DoC: No.: CED-FC121-FC122			

Siemens Switzerland Ltd
Infrastructure & Cities Sector
Building Technologies Division
International Headquarters
Gubelstrasse 22
CH-6301 Zug
Tel. +41 41 – 724 24 24
www.siemens.com/buildingtechnologies

© 2015 Copyright Siemens Switzerland Ltd
Data and design subject to change without notice.