

# ASSERTA

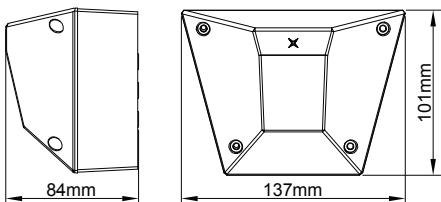
Industrial Mains Beacon 5 WATT



## Specification

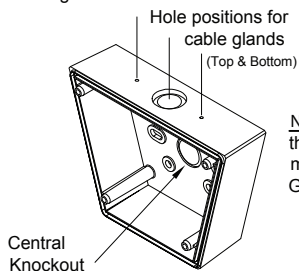
Operating Voltage Range	230VAC
Current Consumption	13mA
Operating Temperature	-25°C to +70°C
Monitoring mode	N/A
Construction	ABS/Polycarbonate FR Plastic
Termination	Screw terminals for 0.28mm <sup>2</sup> to 2.5mm <sup>2</sup> conductor

## Dimensions



## 1. Installation

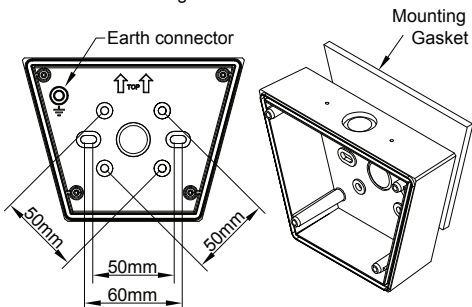
Knockout or drill the required gland holes, and fit cable glands.



**NOTE:** Ensure that the IP integrity is maintained during Gland Fitting.

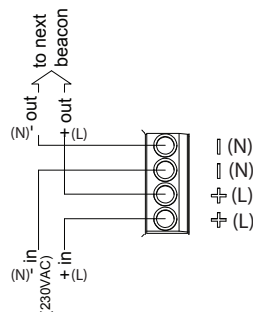
## 2. Fixing Details

Knockout desired fixing holes, fix base to wall or BESA box. Ensure that the gasket is used.



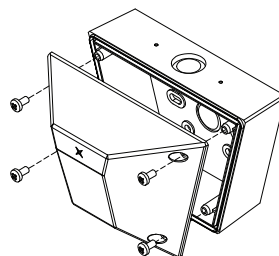
**WARNING:** High voltage present within this equipment. Do not remove cover, refer servicing to qualified personnel.

## 4. Connection Details



## 5. Beacon Assembly

Fix the beacon to the base with the screws provided. (Do not over tighten)



Installation must be in accordance with relevant national wiring regulations or codes for the intended application and voltages employed.

25-9183 Iss A

210

Supplied Format

Electronic Data



File Name : 25-9183-A

Text Pages

No. of Text Pages : 1

Print Colours : 1

Paper Spec : Stock White 70gsm

Finished Manual / Leaflet

Type of Binding : None

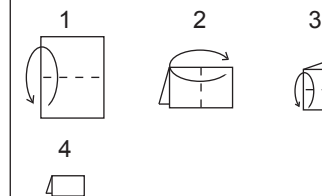
Hole Punching : None

Shrink Wrapping : None

Folding Details : See below

Final Dimensions :

- A5 (148.5x210mm) Single Sided
- A5 (148.5x210mm) Double Sided
- A4 (297x210mm) Single Sided
- A4 (297x210mm) Double Sided



## Manual Details

Part No.	25-9183-A
Description	Leaflet
Model	AS/B/230
Date	02/07/07
Issue No.	A

## Approvals

Originated	Mike Williams
Checked	
Approved	

