

Butterfly Valve

Model: WD-371G/WD-371L

Butterfly Valve with Gearbox / Lever – Wafer End

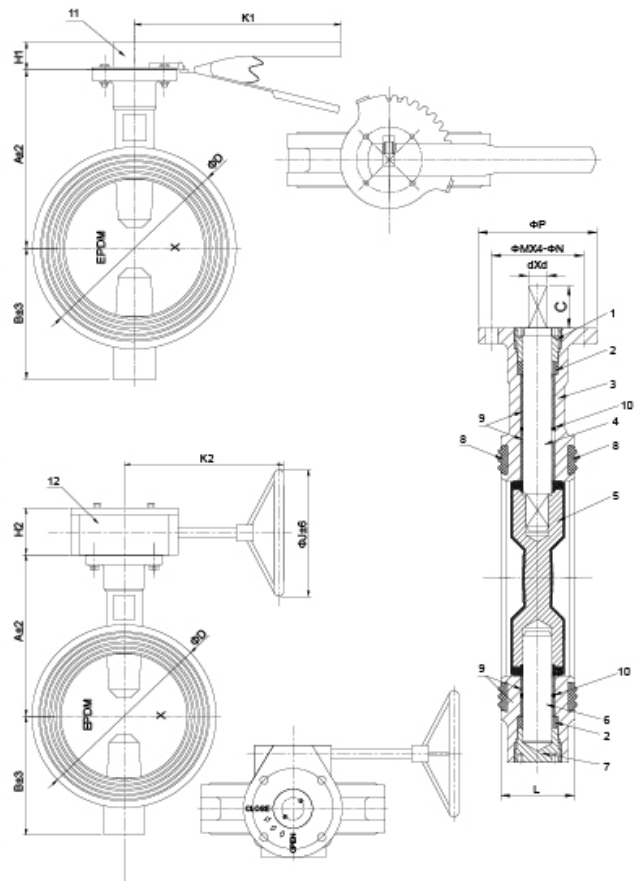
Technical Features

- Flange Standard: ANSI 125 / 150, DIN2501 PN10 / 16
- Connection: Wafer End
- Sizes: 2", 2½", 3", 4", 5", 6", 8", 10", 12"
- Maximum Working Pressure: 300 PSI (Maximum Testing Pressure: 600 PSI) conforms to UL1091 & ULC / ORD-C1091 & FM 1112
- Maximum Working Temperature: 80°C / 176°F
- Application: Indoor & Outdoor Use, Fire inflow water, drain pipe, high-rising building fire fighting system, industrial factory building fire protection system
- Coating Details: Epoxy coated interior and exterior by Electrostatic Spray or coating upon request
- Disc: Ductile Iron EPDM Rubber Encapsulated
- Top Flange Standard: ISO 5211
- Certified lead-free by NSF / ANSI 61 & NSF / ANSI 372 is available



Valve Material List

NO.	Description	Material
1	Upper Shaft Sealing Nut	WCB
2	Shaft Seal	EPDM
3	Body	Ductile Iron
4	Upper Shaft	416 Stainless Steel
5	Disc+Rubber Seat	Ductile Iron+EPDM
6	Lower Shaft	416 Stainless Steel
7	Lower Shaft Sealing Nut	WCB
8	End Face Seal	EPDM
9	Stem Bushing	PTFE / C95400
10	O-Ring	EPDM
11	Lever	
12	Gearbox	



Dimensions

Size	A	B	C	D	H1	H2	K1	K2	J	P	M	N	d	L
2"	110	85	32	100	32	65	267	151	152	90	70	9	10	42
2½"	125	95	32	112	32	65	267	151	152	90	70	9	10	44.2
3"	140	100	32	120	32	65	267	151	152	90	70	9	11	45.3
4"	160	100	32	161	32	65	267	151	152	90	70	9	14	52
5"	170	125	32	182	32	65	267	151	152	90	70	9	14	54.4
6"	190	140	32	216	32	65	267	146	200	90	70	9	16	55.8
8"	230	175	32	260	37	77	267	233	290	125	102	12	19	60.5
10"	260	200	45	320	/	77	/	233	290	125	102	12	22	66.5
12"	300	240	45	375	/	77	/	226	290	150	125	14	26	76.9