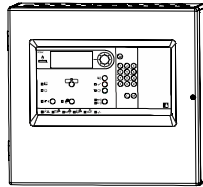
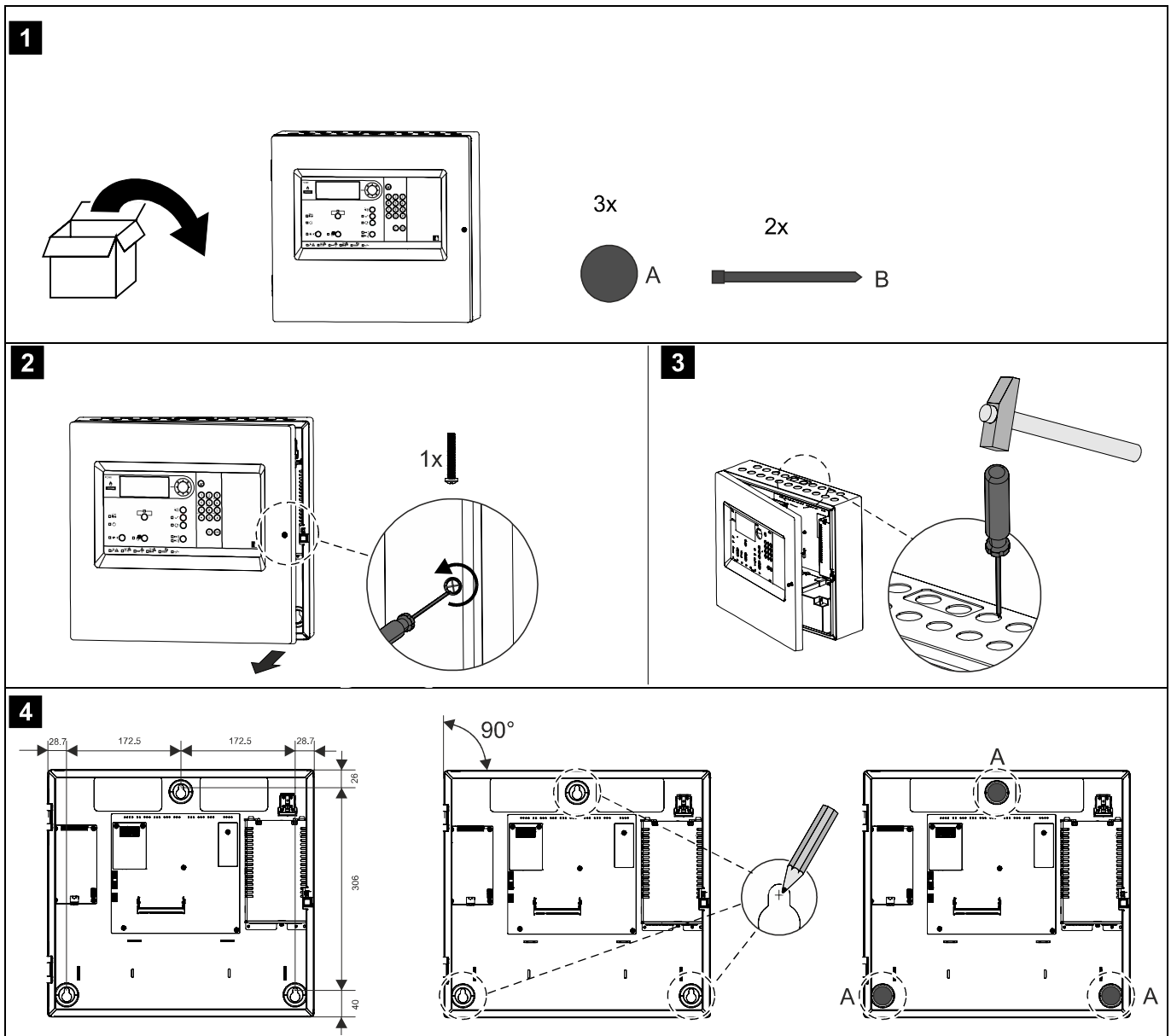


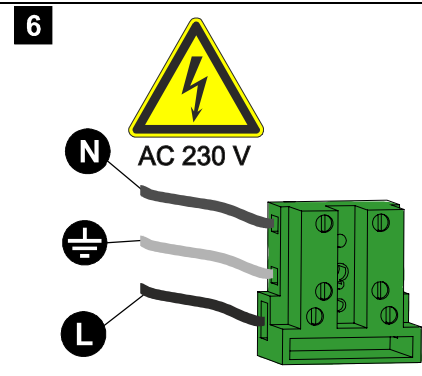
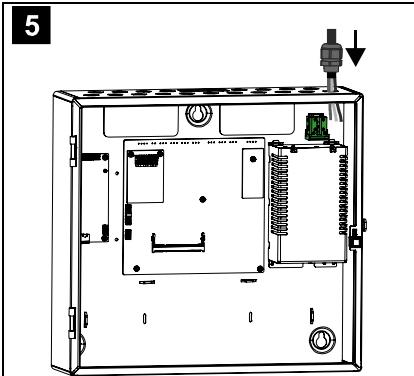
	FC361-ZZ / FC361-ZA / FC361-YZ / FC361-YA
en	Fire control panel
de	Brandmeldezentrale
fr	Équipement de contrôle et signalisation
es	Unidad de control de detección de incendios
it	Centrale rivelazione incendio

**en** Installation  
**de** Montage  
**fr** Montage  
**es** Montaje  
**it** Montaggio

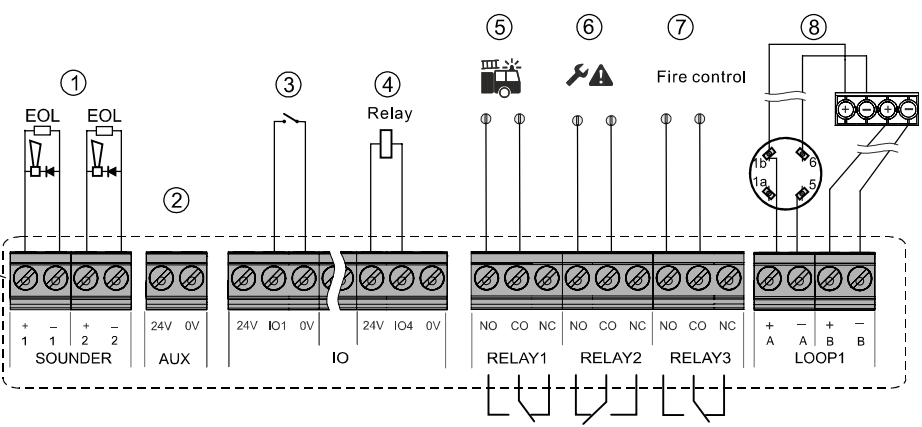
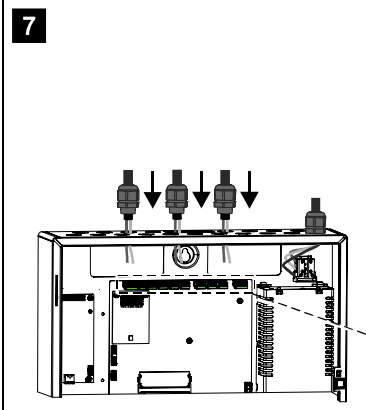


FC361-ZZ, S54433-C112-A1  
 FC361-ZA, S54433-C111-A1  
 FC361-YZ, S54433-C110-A1  
 FC361-YA, S54433-C109-A1



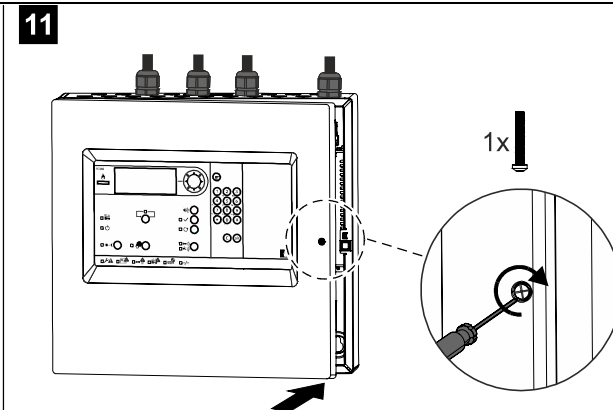
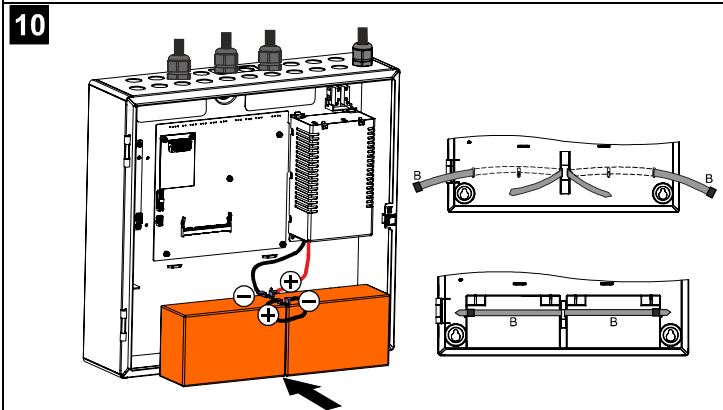


<b>en</b>	Switch off main supply AC 230 V
<b>de</b>	Netzspeisung AC 230 V ausschalten
<b>fr</b>	Couper l'alimentation réseau AC 230 V
<b>es</b>	Desconectar la fuente de alimentación de red AC 230 V
<b>it</b>	Disinserire l'alimentazione di rete AC 230 V

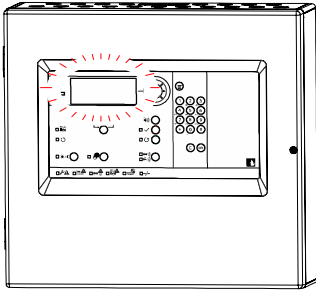


- 8**
- EOL Resistor 2.2 kΩ
  - Relay Output module FCA1209-Z1
  - 1 Connection of sounder line
  - 2 Aux. power supply DC 24 V / 0.2 A
  - 3 Connection as 'Input'
  - 4 Connection as 'Unmonitored output'
  - 5 Connection as 'RT fire' output
  - 6 Connection as 'RT fault' output
  - 7 Connection as 'Fire control' output
  - 8 Connection of detector line

- 9**
- |           |  |
|-----------|--|
| <b>en</b> | Switch on main supply AC 230 V                     |
| <b>de</b> | Netzspeisung AC 230 V einschalten                  |
| <b>fr</b> | Allumer l'alimentation réseau AC 230 V             |
| <b>es</b> | Conectar la fuente de alimentación de red AC 230 V |
| <b>it</b> | Inserire l'alimentazione di rete AC 230 V          |



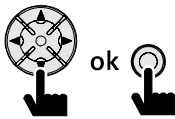
12



13

Select Country

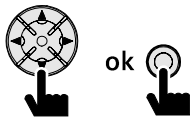
BE: Belgium  
 BG: Bulgaria  
 ES: Spain  
 Factory setting  
 GB: Great Britain  
 GR: Greece



14

Select Language

BG: Bulgarian  
 EL: Greek  
 ES: Spanish  
 English (international)  
 English (only for GB)  
 FR: French



15

08-21-2015 01:08:58 L1

**SIEMENS**

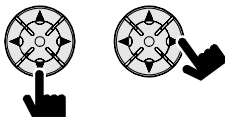
Siemens office  
 Tel: +41-41-724 5555



16

Menu L1

1. System Status  
 2. Login  
 3. Query Alarm Count  
 4. About



17

Login L1

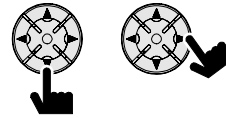
Password: (4 digits)



18

Menu L3

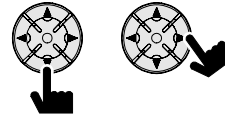
1- System Status  
 2- Operation  
 3- Event Memory  
 6- Engineering  
 7- Logout  
 8- Query Alarm Count



19

Engineering L3

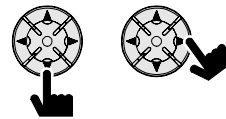
1- Set Date & Time  
 2- Edit Name / Password  
 3- Detector line  
 4- Calibrate 4M card line  
 5- Alarm counter reset  
 6- Factory set



20

Engineering-Detector line L3

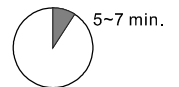
1- Restart  
 2- Power off  
 3- Maintenance  
 4- Auto configuration  
 5- View / Locate  
 6- Reset detection module



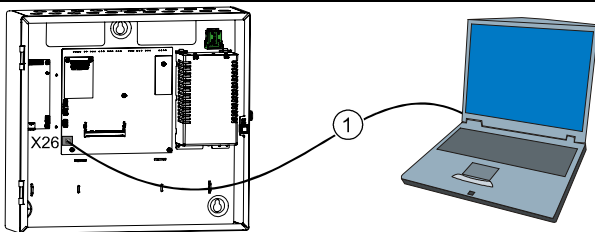
21

Auto configuration L3

Warning:  
 All programmed configuration  
 will be overwritten.  
 Do you still want to continue?  
 Yes (OK) or No (Cancel)



22

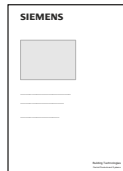


X26: PC connection

1: Cable, type CAT 5 or CAT 7, crossover, max. 100 m

23

en	Open a browser and enter 'fc360.siemens.com'. Configure by 'FC360 Panel Configurator' and test the system
de	Einen Browser öffnen und 'fc360.siemens.com' eingeben. Mit 'FC360 Panel Configurator' konfigurieren und System testen.
fr	Ouvrir un navigateur et taper 'fc360.siemens.com'. Configurer avec 'FC360 Panel Configurator' et tester le système.
es	Abra un navegador e introducir 'fc360.siemens.com'. Lleve a cabo la configuración por medio del 'FC360 Panel Configurator' y pruebe el sistema.
it	Aprire un browser Internet e digitare l'indirizzo 'fc360.siemens.com'. Configurare con il 'FC360 Panel Configurator' e testare il sistema.



en	You will find more information in document A6V10421795.
de	Weitere Informationen finden Sie im Dokument A6V10421795.
fr	Pour de plus amples informations, se référer au document A6V10421795.
es	Para más información al respecto, consulte el documento A6V10421795.
it	Per ulteriori informazioni si rimanda al documento A6V10421795.

16 **CE** 0786**FC361-YA / FC361-YZ / FC361-ZA / FC361-ZZ**Siemens Switzerland Ltd, Gubelstrasse 22  
CH-6301 Zug, Switzerland  
Technical data: see doc. **A6V10421795**

FC361 - Control and Indicating Equipment incl. FP2015 - 70W/24VDC Power Supply Equipment in fire detection and fire alarm systems installed in buildings

305/2011/EU (CPR): EN 54-2 / EN 54-4 ; 2014/30/EU (EMC): EN 50130-4 / EN 61000-6-3 ; 2014/35/EU (LVD): EN 60950-1 ; 2011/65/EU (RoHS): EN 50581

Declared performance and conformity can be seen in the Declaration of Performance and the EC Declaration of Conformity,  
which is obtainable via the Customer Support center: Tel. +49 89 9221-8000 or <http://siemens.com/bt/download>

DoP No.: 0832-CPR-F1346; DoC No.: CED-FC361

Siemens Switzerland Ltd  
Infrastructure & Cities Sector  
Building Technologies Division  
International Headquarters  
Gubelstrasse 22  
CH-6301 Zug  
Tel. +41 41 – 724 24 24  
[www.siemens.com/buildingtechnologies](http://www.siemens.com/buildingtechnologies)© 2016 Copyright Siemens Switzerland Ltd  
Data and design subject to change without notice.