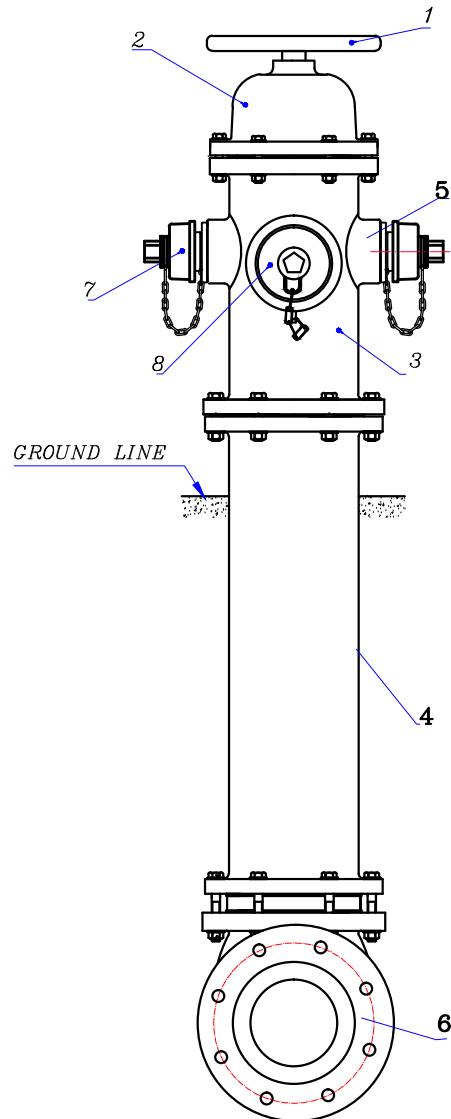


# HYDRANT MODEL:PH-D1 TYPE:DRY BARREL


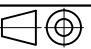


No.	Part Name	MATERIAL
1	HAND WHEEL	CAST IRON
2	CAP	CAST IRON
3	BODY	CAST IRON
4	LOWER BARREL	CAST IRON
5	2 1/2 OUTLET	GUNMETAL
6	ELBOW	D.CAST IRON
7	CAP	PLASTIC
8	4" PUMPER NOZZLE CAP	D.CAST IRON

TEST PRESSURE : 21 BAR.

DESIGN PRESSURE: 14 BARG.

WORKING PRESSURE : 7 BARGE

NOTE: HYDRANT MODEL:TR-PH-D1					 <b>I.T.E.</b>
Date	Design	Drawn	Checked	REV.	
					 TOL: DIN-7168m Size: <b>A4</b> Scale: —
Part name: <b>TOTAL</b>		Drawing No: <b>PH-D1-01</b>			Sheet: <b>1 Of 1</b>
Material: <b>AS ABOVE CHART</b>		Project:			QTY. :