

Description

The VDOT-PY3 is a UL268 7th edition approved analog addressable photoelectric smoke detector. Advanced sensing algorithms by single smoke sensor analyses the type of smokes and reduce nuisance alarms. The detector is compatible with the Velocity Detection MMP panel range.

Stylish designed and low profile, also the detector is equipped with OMNIVIEW™ indicator, which provides 360 degrees of alarm status visibility by red light.

Detector address is selectable from the range of 1 to 254, and programmed by using the VDOT-AD2 handheld address-setting tool. A remote LED indicator can be connected to the detector Terminal 3 (RIL) directly.

The VDOT-PY3 monitors smoke sensitivity inside a smoke chamber, and the drift compensation feature regularly adjusts it to maintain the appropriate range.

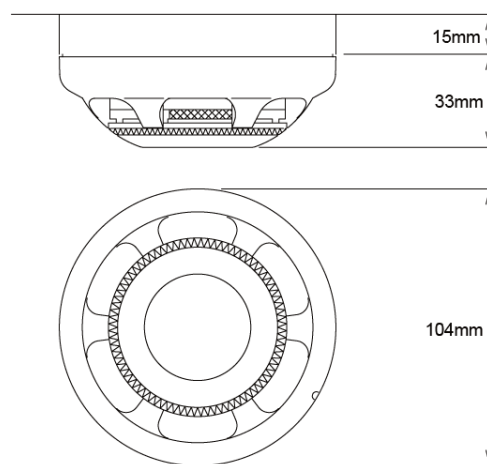


Features

- Capable of detecting both black and white smoke
- Low profile, and stylish design
- OMNIVIEW™ 360 degrees LED indicator
- Remote indicator output
- Address selectable from a range of 1 to 254
- Provide with a dust cover
- Sensitivity drift compensation feature
- Selectable sensitivity from three levels
- Low monitoring current
- Reduce cooking nuisance alarms

- Approved to UL268 7th edition

Dimensions



Mounting Base Models

Model	Description	Instruction Manuals	Diameter	Number of Terminals
VDOT-UB4	Standard Mounting Base	GLT-299-7-6	104 mm (4 Inch)	4
VDOT-UB4-6*	Larger Mounting Base	GLT-299-7-7	160 mm (6 Inch)	4
VDOT-S6 BASE	Sounder Mounting Base	GLT-299-7-10	160 mm (6 Inch)	5
VDOT-STB-RL	Relay Mounting Base	GLT-299-7-9	104 mm (4 inch)	6
VDOT-STB-SCI	Short Circuit Isolator Base	GLT-299-7-8	104 mm (4 Inch)	4
VDOT-ADP**	Adaptor Mounting Plate	GLT-299-7-11	160 mm (6 Inch)	NONE

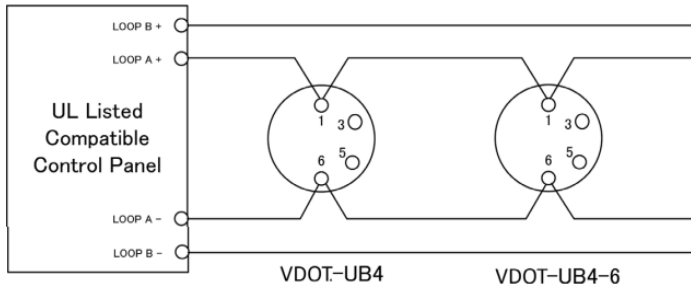
* The Model VDOT-UB4-6 base is intended for applications where a 4 inch square or octagonal electrical junction box is required.

** The VDOT-ADP Adaptor Mounting Plate is intended for the VDOT-STB-RL Relay Mounting Base and VDOT-STB-SCI Short Circuit Isolator base for applications where a 4 inch square or octagonal electrical junction box is required.



Wiring

SLC line impedance is at 50Ω at maximum and the maximum length is 2km. Use cable AWG 12-20 for wiring.



Terminals

The VDOT-PY3 detectors all have the three connections and the terminals are configured as below

Terminal	Description
1	SLC Positive
6	SLC Negative
3	To activate the VDOT-STB-RL Relay Base

Note: Terminal 3 is used for the Relay Mouting Base VDOT-STB-RL

Specifications

Specifications	VDOT-PY3
Detector Element	Light Emitting Diode, Photo Diode
LED Visual Indicator	Standby – Flashing Green LED Alarm – Solid Red LED with Flashing Green
Operating Voltage	20 VDC to 38 VDC Peak
System Voltage	35 VDC
Standby Current	200 μA
Alarm Current (with red LED)	6 mA
Sensitivity	1.06 %/Ft. to 1.9 %/Ft.
Operation Temperature	-10 °C to +55 °C (14 °F to 131 °F)
Storage Temperature	-40 °C to +70 °C (-40 °F to 158 °F)
Relative Humidity	≤ RH 95 % non-condensing
Addressing Method	Soft addressing, Non-Volatile EEPROM
Address	1 to 254 (decimal)
Maximum quantity per loop	254 units
Dimensions	φ104 mm x H 33 mm (Detector head only) φ104 mm x H 48 mm (Detector head and VDOT-UB4 Base)
Weight	115 g (Detector head only) 175 g (Detector head and EVA-UB4)
Standard	UL268 7 th Edition