

REMOTE ANNUNCIATOR PANEL

VL-MMP/RA

■ Description

The Velocity MMP remote annunciator can be used to monitor, operate and program Velocity fire alarm control panels (FACPs) from anywhere within the networked system.

The remote annunciator features a 4.3" colour touch screen display that provides easy-to understand system messages. The annunciator is ergonomically designed with a LED, button and menu setup that perfectly replicates a Velocity MMP Control Panel. This will make the annunciator feel familiar to use for those who are trained/experienced in using the Velocity system.

It can operate as part of a networked system of up to 64 panel's peer-to-peer, with powerful programming options that allow configurable control over whether messages from specific panels are transmitted around the network or remain local.

The velocity remote annunciator is available in black to match virtually any décor, or red for applications where the annunciator must stand out. The annunciator enclosure can be surface or flush mounted.



■ Features:

- 4.3" colour touch screen display.
- 8032 Event Log.
- Up to 64 panel peer-to-peer network.
- Available in Black or Red colour.
- 13 status LED indicators.
- 5 function button controls.
- Fully functioning annunciator provides the ability to program a networked velocity MMP control panel from the front screen.
- Accommodates wiring lengths up to 1000 metres from the control panel for added design and install flexibility.
- Network can be wired in either a bus or a ring topology if a redundant path is required.
- 8 password protected access accounts available (1 admin level, 7 user level).
- Uncluttered and intuitive interface allows alarms, supervisory, and trouble events to be easily viewed.

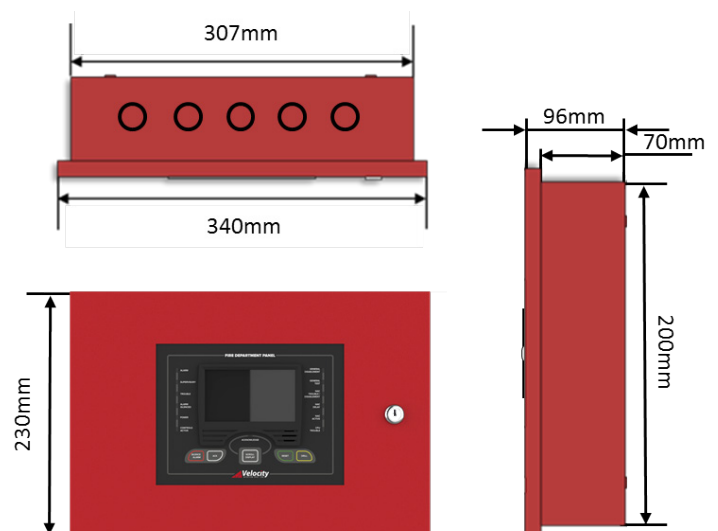
Specifications

Code	
Description	UL Remote Annunciator Panel
Standard	UL864 10 th Edition
Electrical	
Operating Voltage	30VDC
Quiescent Current	78mA
Maximum Current	100mA
Network	
Communication Protocol	RS485
Maximum Network Size	64 Nodes
Maximum Distance Between Nodes	1KM (using 1 screened data cable) 100m (using a standard fireproof cable)
Network Wiring Typologies	Bus Ring (recommended)
Software	
Maximum Event Log	8032 Events
Software Programming	Touchscreen LCD
Display	
LCD	4.3" Resistive touch screen. 480 x 272 pixel resolution
LED Indications	2 Red (1 x Alarm, 1 x NAC Active), 1 Green (Power), 10 Yellow (1 x Supervisory, 1 x Trouble, 1 x Alarm Silenced, 1 x Controls Active, 1 x General Disablement, 1 x General Test, 1 x NAC Trouble/Disablement, 1 x NAC Delay, 1 x CPU Trouble, 1 x Acknowledge).
Button Controls	Silence Alarm, Ack, Scroll, Reset, Drill
Enclosure	
Dimensions H x W x D (mm)	230mm x 340mm x 96mm
Weight	2.3kg
Cable Entries	5
Terminal Wiring Size	28-12 AWG
Environmental	
Operating Temperature	0°C (32°F) to 49°C (120°F)
Relative Humidity	95% Non-Condensing

Product Codes

Description	Codes
Velocity Remote Annunciator Panel (Red)	VL-MMP/RA
Velocity Remote Annunciator Panel (Black)	VL-MMP/RA-B

Dimensions



All specifications are subject to change without any notice.
For more information, contact with VELOCITY.



Zeta Alarms Limited
72-78 Morfa Road, Swansea
SA1 2EN
Tel: +44 1792 455 175 FAX: +44 1792 455 176

Distributed By