

## SensoIRIS M140 IS Combined Fire Alarm Detector

### EN54-5/ 7/ 17

### Description

SensoIRIS M140 IS, is an addressable combined (temperature and optical-smoke) detector with built-in isolator module, designed for installing in addressable fire alarm systems supporting TTE communication protocol. The detector is powered on from the panel and can be controlled via the communication protocol.



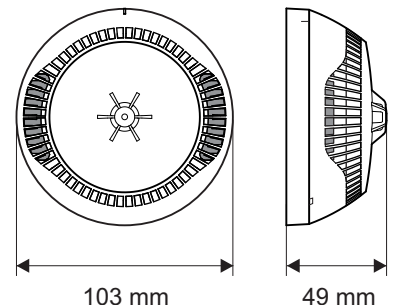
### Technical and Environmental Specifications

Operating Voltage Range . . . . .	16 - 32VDC (Nom. 27VDC)
Consumption in quiescent state, no communication . .	< 190µA@27VDC
Consumption in quiescent state, with communication .	< 310µA@27VDC
Consumption in alarm state, with communication . . .	6.5mA
Class (in accordance with EN54-5) . . . . .	A1/R
Sensitivity (in accordance with EN54-7) . . . . .	High/ Normal/ Middle/ Low
Output in alarm state at terminal RI (terminals 4/ 1) .	7.5 mA (max)/ 7.5V
Wire Gauge for terminals . . . . .	0.4mm <sup>2</sup> - 2.0mm <sup>2</sup>
Operating temperature . . . . .	-10°C to +60°C
Relative humidity resistance . . . . .	(93 ± 3)% @ 40°C
Protection. . . . .	IP30*
Weight (including base) . . . . .	~125g
Dimensions (including base) . . . . .	103x49mm

\* Not tested by LPCB

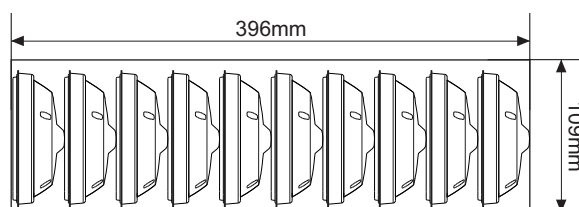


Tested by **EVPU** 1139m/01



### Packing Information

• **Master box** - 10 units SensoIRIS M140 IS, dimensions 396 x 109 x 109 mm, without base. All detectors are protected with a plastic cap.



### Compatible Product Range

- **IRIS** - Addressable Fire Alarm Panel, 4 loops
- **IRIS PRO** - Addressable Fire Panel, 4 loops
- **SIMPO** - Addressable Fire Panel, 2 loops
- **SensoIRIS FRI-1** - Remote Fire Indicator
- **SensoIRIS B124** - Standard Base
- **SensoIRIS BSOU** - Addressable base with built-in sounder
- **SensoIRIS BSST** - Addressable base with built-in sounder and strobe
- **Deep Base** - Accessory for mounting on rough surfaces, outdoor pipelines, etc.
- **SensoIRIS Programmer** - Address Programming Tool

### Contact Information