

**Description**

The VDOT-PYH3 is an analog addressable multi sensor detector certificated by UL268 7th edition for smoke and UL521 for heat detection. Advanced sensing algorithms by single smoke sensor analyses the type of smokes and reduce nuisance alarms. The detector is compatible with the Velocity Detection MMP panel range.

Stylish designed and low profile, also the detector is equipped with OMNIVIEW™ indicator, which provides 360 degrees of alarm status visibly by red light.

The VDOT-PYH3 monitors smoke sensitivity inside a smoke chamber, and the drift compensation feature regularly adjust it to maintain the appropriate range of sensitivity. The detector effectively reduces cooking nuisance alarms.

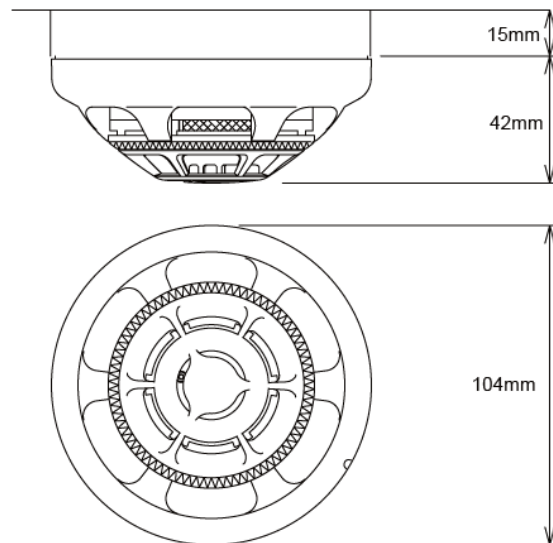
The VDOT-PYH3 has two operating modes for heat detection either rate-of-rise and fixed heat at 57 °C (135 °F). The detector incorporates a heat sensing thermistor, mounted outside of smoke chamber, with the high linear circuit. The specially designed cover protects the thermistor while taking airflow. Detector address is selectable from the range of 1 to 254, and programmed by using the VDOT-AD2 handheld address-setting tool. A remote LED indicator can be connected to the detector Terminal 3 (RIL) directly.



**Features**

- Capable of detecting both black and white smoke
- Heat operating mode, rate of rise and fixed heat detection at 57 °C (135 °F)
- Low profile, and stylish design
- OMNIVIEW™ 360 degrees LED indicator
- Remote indicator output
- Address selectable from a range of 1 to 254
- Provide with a dust cover
- Sensitivity drift compensation feature
- Selectable sensitivity from three levels
- Low monitoring current
- Reduce cooking nuisance alarms
- Approved to UL268 7th edition and UL521

**Dimensions**



**Mounting Base Models**

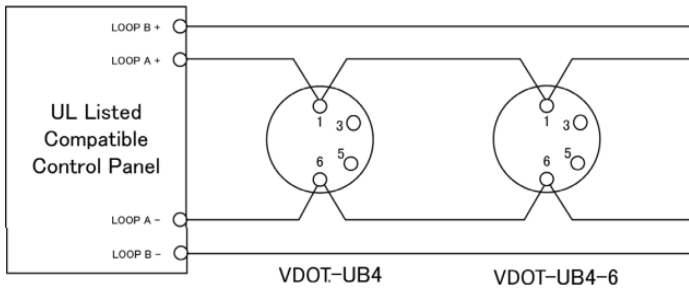
Model	Description	Instruction Manuals	Diameter	Number of Terminals
VDOT-UB4	Standard Mounting Base	GLT-299-7-6	104 mm (4 Inch)	4
VDOT-UB4-6*	Larger Mounting Base	GLT-299-7-7	160 mm (6 Inch)	4
VDOT-S6 BASE	Sounder Mounting Base	GLT-299-7-10	160 mm (6 Inch)	5
VDOT-STB-RL	Relay Mounting Base	GLT-299-7-9	104 mm (4 inch)	6
VDOT-STB-SCI	Short Circuit Isolator Base	GLT-299-7-8	104 mm (4 Inch)	4
VDOT-ADP**	Adaptor Mounting Plate	GLT-299-7-11	160 mm (6 Inch)	NONE

\* The Model VDOT-UB4-6 base is intended for applications where a 4 inch square or octagonal electrical junction box is required.

\*\* The VDOT-ADP Adaptor Mounting Plate is intended for the VDOT-STB-RL Relay Mounting Base and VDOT-STB-SCI Short Circuit Isolator base for applications where a 4 inch square or octagonal electrical junction box is required.

**Wiring**

SLC line impedance is at 50Ω at maximum and the maximum length is 2km. Use cable AWG 12-20 for wiring.



**Terminals**

The VDOT-PYH3 detectors all have the three connections, and the terminals are configured as below.

Terminal	Description
1	SLC Positive
6	SLC Negative
3	To activate the VDOT-STB-RL Relay Base

Note: Terminal 3 is used for the Relay Mounting Base VDOT-STB-RL

**Specifications**

Specifications	VDOT-PY3
Detector Element	SMOKE - Light Emitting Diode, Photo Diode HEAT - Thermistor (negative temperature coefficient)
LED Visual Indicator	Standby – Flashing Green LED Alarm – Solid Red LED with Flashing Green
Operating Voltage	20 VDC to 38 VDC Peak
System Voltage	35 VDC
Standby Current	200 µA
Alarm Current (with red LED)	6 mA
Sensitivity	1.09 %/Ft. to 1.89 %/Ft.
Operation Temperature	-10 °C to +55 °C (14 °F to 131 °F)
Storage Temperature	-40 °C to +70 °C (-40 °F to 158 °F)
Relative Humidity	≤ RH 95 % non-condensing
Addressing Method	Soft addressing, Non-Volatile EEPROM
Address	1 to 254 (decimal)
Maximum quantity per loop	254 units
Dimensions	φ104 mm x H 42mm (Detector head only) φ104 mm x H 57 mm (Detector head and VDOT-UB4 Base)
Weight	115 g (Detector head only) 175 g (Detector head and EVA-UB4)
Standard	UL268 7 <sup>th</sup> Edition