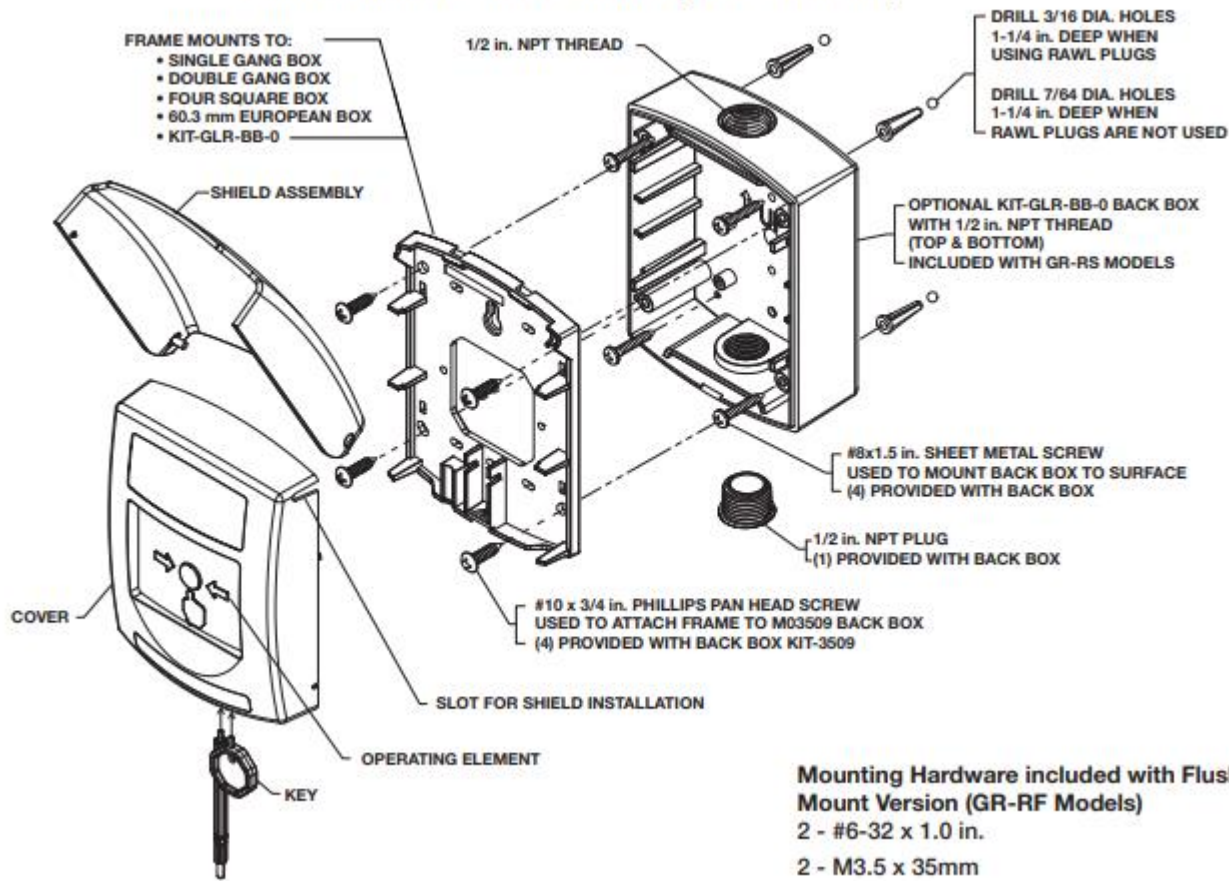


### COVER REMOVAL AND INSTALLATION Surface Mount Version Shown (GR-RS Models)

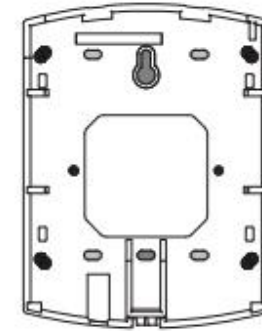


**Mounting Hardware included with Flush Mount Version (GR-RF Models)**  
 2 - #6-32 x 1.0 in.  
 2 - M3.5 x 35mm

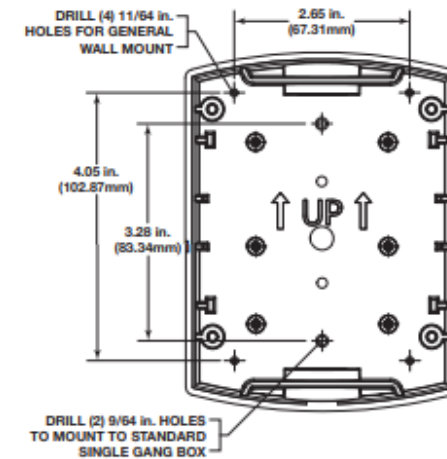
### FRAME MOUNTING OPTIONS

RECOMMENDED MOUNTING HEIGHT: NOT LESS THAN 1.1M (3 1/2 FT.) OR GREATER THAN 1.37M (4 1/2 FT.) ABOVE FINISHED FLOOR SURFACE

MOUNTING HOLE KEY	SCREW SIZE REQUIRED
	#10 x 3/4" PAN-SMS
	#8-32 x 1.0" MACHINE SCREW
	#6-32 x 1.0" MACHINE SCREW
	M3.5 x 35mm MACHINE SCREW
	#6-32 x 1.0" MACHINE SCREW



### BACK BOX INSTALLATION PREP

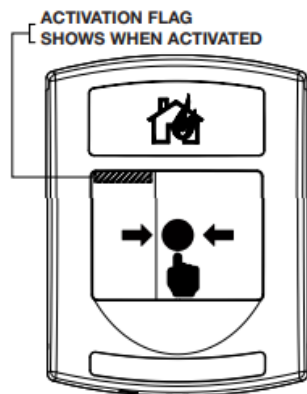


ADA  
Series 21 & 22

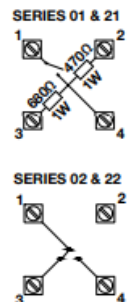


**WARNING** The Global ReSet fire alarm initiating station has been tested and listed to UL38 and ULC 528. It is important to read, understand and follow all instructions provided with this product. It is the installer's responsibility to comply with NFPA72 and 101, NEC, mounting specifications according to ADA and other applicable fire and electrical codes. After installation and testing are complete, provide a copy of this manual to all personnel responsible for testing and maintenance of this product. Regular testing of these products, in accordance to NFPA standards, is required. Zeta Alarm Systems is not responsible for improperly installed, tested or maintained devices.

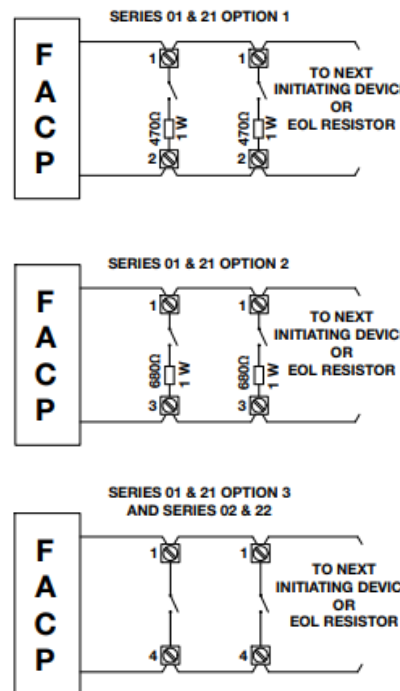
**ACTIVATION AND RESET**



**TERMINAL CONFIGURATION**



**WIRING DIAGRAM**



**WIRING INSTRUCTIONS**

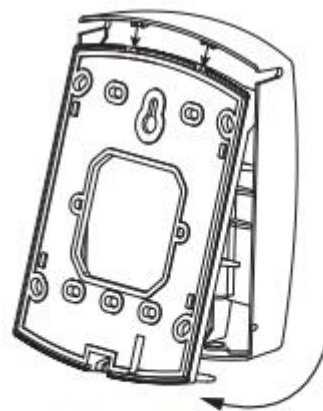
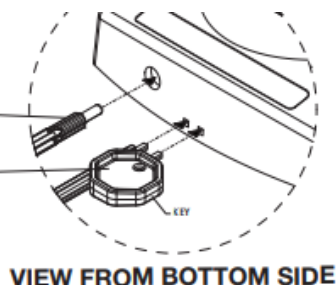
1. MOUNT SURFACE BACK BOX (IF USED) AND FRAME.
2. CONNECT WIRES ACCORDING TO FACP MANUFACTURERS INSTRUCTIONS.
  - a. SERIES 01 & 21 FOR FACP REQUIRING 470Ω RESISTANCE FOR ACTIVATION, CONNECT TERMINALS 1 & 2 OPTION 1.
  - b. SERIES 01 & 21 FOR FACP REQUIRING 680Ω RESISTANCE FOR ACTIVATION, CONNECT TERMINALS 1 & 3 OPTION 2.
  - c. SERIES 01 & 21 OPTION 3, SERIES 02 & 22, FOR FACP REQUIRING CONTACT CLOSURE FOR ACTIVATION CONNECT TERMINALS 1 & 4. 3. CONNECTING MULTIPLE INITIATING DEVICES, KEEP POLARITY CONSISTENT.
4. LAST DEVICE IN CIRCUIT, CONNECT END OF LINE RESISTOR.
5. INSTALL COVER AND TEST FOR PROPER OPERATION

**TO RESET UNIT**

1. INSERT KEY UNTIL ENGAGES FLAG.
2. TURN TO LEFT UNTIL BUTTON RESETS.

**TO REMOVE COVER**

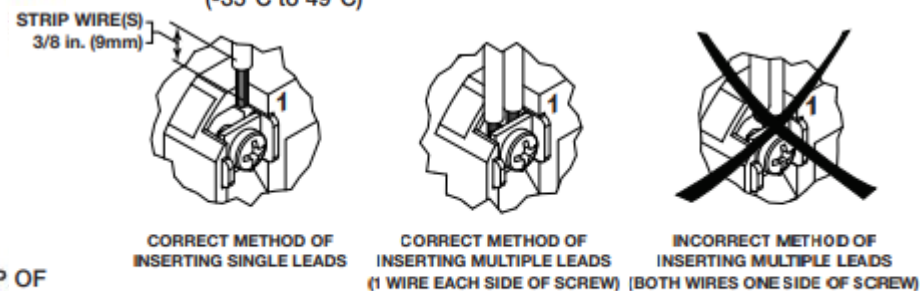
1. INSERT 2 PRONGS ON KEY INTO MATCHING HOLES ON BOTTOM OF UNIT.
2. PULL BOTTOM OF UNIT OUT AND LIFT COVER OFF TABS ON FRAME



**TO INSTALL COVER**

1. INSERT TABS ON THE INSIDE TOP OF COVER WITH SLOTS ON THE FRAME.
2. ROTATE COVER DOWN AND SNAP BOTTOM ONTO FRAME.

**CONTACT RATING: 5A@30 VAC, 1A@48 VDC.**  
Listed for Indoor or Outdoor use, -30°F to 120°F (-35°C to 49°C)



**CORRECT METHOD OF INSERTING SINGLE LEADS**

**CORRECT METHOD OF INSERTING MULTIPLE LEADS (1 WIRE EACH SIDE OF SCREW)**

**INCORRECT METHOD OF INSERTING MULTIPLE LEADS (BOTH WIRES ONE SIDE OF SCREW)**

**TO MAINTAIN INITIATING DEVICE SUPERVISION, BREAK WIRES AT TERMINALS. DO NOT LOOP WIRES AROUND SCREWS.**