



Odyssey Intelligent Manual Call Point with Isolator (200-500A)

The Manual Call Point is used to manually initiate an alarm signal on the fire detection system.

- EN 54-11 & EN 54-17 Certified
- Resettable operating element
- 170° viewable LED
- Suitable for semi flush or surface mounting
- 'Plug and Play' terminal connections for faster wiring
- Continuity link for wiring test before commissioning
- Odyssey compatible
- Built-in Isolator

PRODUCT INFORMATION

The Intelligent Manual Call Point has been designed to operate on a loop of intelligent fire detection devices. An alarm is initiated by pressing the resettable element. The manual call point signals to the Control and Indicating Equipment using an interrupt feature within the Odyssey digital protocol. An alarm status is indicated through the rotation of the resettable element, displaying yellow and black indication bars and a solid red LED. The manual call point can be easily reset from the front using the supplied reset key.

EMC Directive 2014/30/EU

The Intelligent Manual Call Point complies with the essential requirements of the EMC Directive 2014/30/EU, provided that they are used as described in this datasheet.

A copy of the Declaration of Conformity is available on request.

Conformity of the Intelligent Manual Call Point with the EMC Directive, does not confer compliance with the directive on any apparatus or systems connected to them.

Construction Products Regulation 305/2011/EU

The Intelligent Manual Call Point complies with the essential requirements of the Construction Products Regulation 305/2011/EU.

A copy of the Declaration of Performance is available upon request.

OPERATION

The address of each call point is set at the commissioning stage by means of a DIL switch.

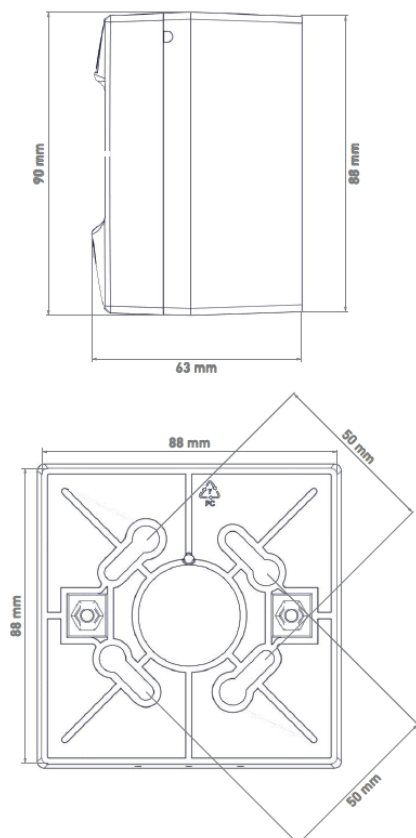
A solid red alarm LED is provided on the manual call point. This LED is controlled independently of the call point, by the control panel. The LED will flash yellow if there is a fault and flash green when the device is polled.

Once activated, the Intelligent Manual Call Point can be reset by inserting the reset key into the front facing LED, turning clockwise until a positive click and reset occurs.

The Intelligent Manual Call Point incorporates a short circuit isolator which will ensure its operation in the event of a short circuit fault on the loop. Isolator operation is indicated by a solid yellow LED.

This manual call point helps reduce installation time as all the initial installation cabling is wired to a removable terminal block which fits neatly in the back of the manual call point.

PRODUCT DIMENSIONS



PROTOCOL USAGE

OUTPUT BITS	
2	Red LED
1	Electronic Self Test
0	Not Used
Interrupt	Yes
ANALOGUE VALUE	
16	Quiescent
64	Alarm
4	General Fault
1	Switch Fault
INPUT BITS	
2	LED Confirmed
1	0=Alarm 1=Quiescent
0	1=Alarm 0=Quiescent
FLAG SETTINGS	
Odyssey Flag	Yes
Alarm Flag	No

