

Description

The VDOT-H3 and VDOT-H3(-H) is UL 521 approved analog addressable heat detector. The detectors are compatible with the Velocity Detection MMP panel range.

The VDOT-H3 is a 8.3°C (15°F) / min rate-of-rise temperature heat detector with 57°C (135°F) fixed temperature alarm. The VDOT-H3(-H) is a high temperature heat detector with 83°C (181°F) fixed temperature alarm.

Stylish designed and low profile, also the detector is equipped with OMNIVIEW™ indicator, which provides 360 degrees of alarm status visibly by red light.

The detector incorporates a heat sensing thermistor, mounted outside of smoke chamber, with the high linear circuit. The specially designed cover protects the thermistor while taking airflow.

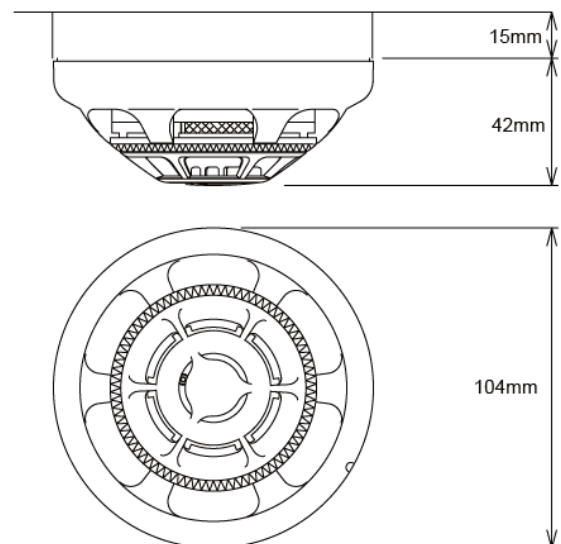
Detector address is selectable from the range of 1 to 254, and programmed by using the VDOT-AD2 handheld address-setting tool. A remote LED indicator can be connected to the detector Terminal 3 (RIL) directly.



Features

- H3 : Rate of rise and Fixed heat detection at 57°C (135 °F),
- H3(-H) Fixed heat detection at 83 °C (181 °F).
- Low profile, and stylish design
- Low monitoring current
- OMNIVIEW™ 360 degrees LED indicator
- Remote indicator output
- Address selectable from a range of 1 to 254
- Provide with a dust cover
- Approved to UL 521

Dimensions



Mounting Base Models

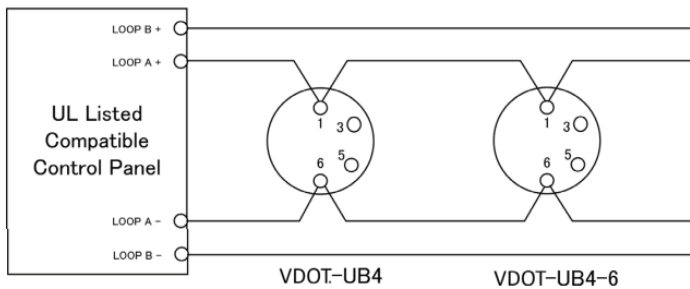
Model	Description	Instruction Manuals	Diameter	Number of Terminals
VDOT-UB4	Standard Mounting Base	GLT-299-7-6	104 mm (4 Inch)	4
VDOT-UB4-6*	Larger Mounting Base	GLT-299-7-7	160 mm (6 Inch)	4
VDOT-S6 BASE	Sounder Mounting Base	GLT-299-7-10	160 mm (6 Inch)	5
VDOT-STB-RL	Relay Mounting Base	GLT-299-7-9	104 mm (4 inch)	6
VDOT-STB-SCI	Short Circuit Isolator Base	GLT-299-7-8	104 mm (4 Inch)	4
VDOT-ADP**	Adaptor Mounting Plate	GLT-299-7-11	160 mm (6 Inch)	NONE

* The Model VDOT-UB4-6 base is intended for applications where a 4 inch square or octagonal electrical junction box is required.

** The VDOT-ADP Adaptor Mounting Plate is intended for the VDOT-STB-RL Relay Mounting Base and VDOT-STB-SCI Short Circuit Isolator base for applications where a 4 inch square or octagonal electrical junction box is required.

Wiring

SLC line impedance is at 50Ω at maximum and the maximum length is 2km. Use cable AWG 12-20 for wiring.



Terminals

The VDOT-H3 or VDOT-H3(-H) detectors all have the three connections, and the terminals are configured as below.

Terminal	Description
1	SLC Positive
6	SLC Negative
3	To activate the VDOT-STB-RL Relay Base

Note: Terminal 3 is used for the Relay Mounting Base VDOT-STB-RL

Specifications

Specifications	VDOT-H3	VDOT-H3(-H)
Detector Element	Thermistor (negative temperature coefficient)	
LED Visual Indicator	Standby – Flashing Green LED Alarm – Solid Red LED with Flashing Green	
Operating Voltage	20 VDC to 38 VDC Peak	
System Voltage	35 VDC	
Standby Current	200 µA	
Alarm Current (with red LED)	6 mA	
Fixed Alarm Temperature	57 °C (135 °F)	83 °C (181 °F)
Rate of Rise Detection	Responds to greater than 15 ° F (8.3 °C) / min.	
Operation Temperature	-10 °C to +55 °C (14 °F to 131 °F)	-10 °C to +65.6 °C (14 °F to 150 °F)
Storage Temperature	-40 °C to +70 °C (-40 °F to 158 °F)	
Relative Humidity	≤ RH 95 % non-condensing	
Addressing Method	Soft addressing, Non-Volatile EEPROM	
Address	1 to 254 (decimal)	
Maximum quantity per loop	254 units	
Dimensions	φ104 mm x H 42 mm (Detector head only) φ104 mm x H 57 mm (Detector head and VDOT-UB4 Base)	
Weight	115 g (Detector head only) 175 g (Detector head and EVA-UB4)	
Standard	UL268 7 th Edition	