

CHQ-WS2 Wall Sounder Tones & Volumes APPLICATION NOTE

This Application Note covers the CHQ-WS2 Wall Sounder.

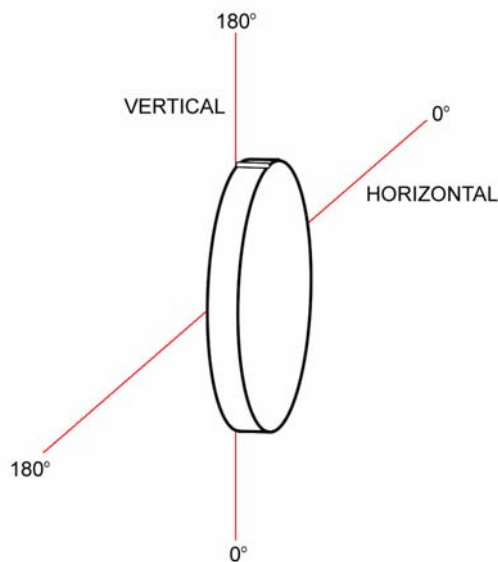
Description

The CHQ-WS2 Wall Sounder is designed to fit onto either a Standard Mounting Base (YBO-R/3(RED)) or a Short-Circuit Isolator Mounting Base (YBO-R/SCI(RED)). The CHQ-WS2 is an EN 54-3 Type A audible alarm device, or type B when used in conjunction with a weatherproofing kit (WS2-WPK).

EN54-3 Approved Tones

The following tables give the minimum sounder performance (dB(A)@1m) of each Tone when tested under EN54-3 test conditions. Figures are given for six horizontal and six vertical directions, measured when the

CHQ-WS2 mounting base is installed as shown in Fig. 1.



Mounting orientation with sensor alignment mark on base positioned vertically, at top.

Fig.1

NOTE: The sound pressure level (SPL) is dependent on current setting selected for the sounder, and also on the tone setting.

TONE 1 (CHQ-BS Tone 1)														
925Hz/0.25s 628Hz/0.25s			HORIZONTAL Angle°						VERTICAL Angle°					
dB (nom)	Current mA	Volume Code	15	45	75	105	135	165	15	45	75	105	135	165
102	8	0F	82	90	96	96	90	78	82	90	96	96	90	77

TONE 2 (CHQ-BS Tone 2)														
925Hz			HORIZONTAL Angle°						VERTICAL Angle°					
dB (nom)	Current mA	Volume Code	15	45	75	105	135	165	15	45	75	105	135	165
102	8	0F	79	89	93	93	90	74	79	90	95	95	93	80

TONE 3 (CHQ-BS Tone 3)														
628Hz			HORIZONTAL Angle°						VERTICAL Angle°					
dB (nom)	Current mA	Volume Code	15	45	75	105	135	165	15	45	75	105	135	165
102	8	0F	79	91	95	96	92	82	88	89	93	95	93	82

TONE 4 (CHQ-BS Tone 4)														
554Hz/0.1s 440Hz/0.4s			HORIZONTAL Angle°						VERTICAL Angle°					
dB (nom)	Current mA	Volume Code	15	45	75	105	135	165	15	45	75	105	135	165
102	8	0F	81	91	95	95	91	78	82	91	94	95	91	78

TONE 5 (CHQ-BS Tone 5)														
660Hz/0.15s 0Hz/0.15s			HORIZONTAL Angle°						VERTICAL Angle°					
dB (nom)	Current mA	Volume Code	15	45	75	105	135	165	15	45	75	105	135	165
102	8	0F	79	89	91	91	89	78	82	91	92	92	90	77

TONE 6 (CHQ-BS Tone 6)														
925Hz/0.15s 0Hz/0.6s			HORIZONTAL Angle°						VERTICAL Angle°					
dB (nom)	Current mA	Volume Code	15	45	75	105	135	165	15	45	75	105	135	165
102	8	0F	79	89	93	93	90	75	79	90	93	93	92	78

TONE 7 (CHQ-BS Tone 7)														
670Hz/0.25s 845Hz/0.37s			HORIZONTAL Angle°						VERTICAL Angle°					
dB (nom)	Current mA	Volume Code	15	45	75	105	135	165	15	45	75	105	135	165
102	8	0F	87	92	96	97	95	83	84	89	94	96	92	79

TONE 8														
500Hz-1200Hz/3s 0Hz/0.5s			HORIZONTAL Angle°						VERTICAL Angle°					
dB (nom)	Current mA	Volume Code	15	45	75	105	135	165	15	45	75	105	135	165
102	8	0F	86	94	96	96	93	81	86	95	98	98	94	83

TONE 9														
1200Hz/0.5s 500Hz/0.5s			HORIZONTAL Angle°						VERTICAL Angle°					
dB (nom)	Current mA	Volume Code	15	45	75	105	135	165	15	45	75	105	135	165
102	8	0F	88	94	97	97	94	86	88	92	96	96	94	84

TONE 10														
970Hz/0.5s 0Hz/0.5s			HORIZONTAL Angle°						VERTICAL Angle°					
dB (nom)	Current mA	Volume Code	15	45	75	105	135	165	15	45	75	105	135	165
102	8	0F	81	88	93	94	90	76	83	89	92	93	91	81

TONE 11														
800-970Hz/0.14s Sweep			HORIZONTAL Angle°						VERTICAL Angle°					
dB (nom)	Current mA	Volume Code	15	45	75	105	135	165	15	45	75	105	135	165
102	8	0F	85	91	94	95	92	82	84	91	94	95	92	80

TONE 12														
800-970Hz/1s Sweep			HORIZONTAL Angle°						VERTICAL Angle°					
dB (nom)	Current mA	Volume Code	15	45	75	105	135	165	15	45	75	105	135	165
102	8	0F	80	90	96	96	90	81	80	90	96	96	89	79

TONE 13														
800-970Hz/0.02s Sweep			HORIZONTAL Angle°						VERTICAL Angle°					
dB (nom)	Current mA	Volume Code	15	45	75	105	135	165	15	45	75	105	135	165
102	8	0F	84	90	95	95	91	81	86	91	95	95	92	83

TONE 14														
2400-2850Hz/0.14s Sweep			HORIZONTAL Angle°						VERTICAL Angle°					
dB (nom)	Current mA	Volume Code	15	45	75	105	135	165	15	45	75	105	135	165
102	8	0F	86	92	95	95	93	83	86	92	95	96	93	81

TONE 15														
2400-2850Hz/1s Sweep			HORIZONTAL Angle°						VERTICAL Angle°					
dB (nom)	Current mA	Volume Code	15	45	75	105	135	165	15	45	75	105	135	165
102	8	0F	80	90	97	97	90	79	80	90	97	98	90	80

TONE 16														
300-1200Hz/1s Sweep			HORIZONTAL Angle°						VERTICAL Angle°					
dB (nom)	Current mA	Volume Code	15	45	75	105	135	165	15	45	75	105	135	165
102	8	0F	88	91	96	96	93	86	87	91	95	95	92	83

TONE 17														
970Hz/0.5s 0Hz/0.5s			HORIZONTAL Angle°						VERTICAL Angle°					
dB (nom)	Current mA	Volume Code	15	45	75	105	135	165	15	45	75	105	135	165
102	8	0F	74	86	95	95	86	74	74	84	94	94	86	76

TONE 18														
2850Hz/0.5s 0Hz/0.5s			HORIZONTAL Angle°						VERTICAL Angle°					
dB (nom)	Current mA	Volume Code	15	45	75	105	135	165	15	45	75	105	135	165
102	8	0F	87	95	99	99	96	81	86	94	96	98	96	82

TONE 19														
800Hz/0.25s 970Hz/0.25s			HORIZONTAL Angle°						VERTICAL Angle°					
dB (nom)	Current mA	Volume Code	15	45	75	105	135	165	15	45	75	105	135	165
102	8	0F	86	92	95	96	92	84	87	92	95	95	93	83

TONE 20														
2850Hz			HORIZONTAL Angle°						VERTICAL Angle°					
dB (nom)	Current mA	Volume Code	15	45	75	105	135	165	15	45	75	105	135	165
102	8	0F	84	92	96	97	93	79	84	91	94	95	93	81

TONE 21														
2400Hz/0.25s 2850Hz/0.25s			HORIZONTAL Angle°						VERTICAL Angle°					
dB (nom)	Current mA	Volume Code	15	45	75	105	135	165	15	45	75	105	135	165
102	8	0F	87	94	97	97	94	85	89	94	97	97	95	84

TONE 22														
800Hz/0.5s 970Hz/0.5s			HORIZONTAL Angle°						VERTICAL Angle°					
dB (nom)	Current mA	Volume Code	15	45	75	105	135	165	15	45	75	105	135	165
102	8	0F	86	92	96	96	92	84	87	92	95	95	93	83

TONE 23														
2850Hz/0.5s 0Hz/0.5s			HORIZONTAL Angle°						VERTICAL Angle°					
dB (nom)	Current mA	Volume Code	15	45	75	105	135	165	15	45	75	105	135	165
102	8	0F	86	94	97	98	95	81	86	93	96	98	96	83

TONE 24														
925Hz/0.25s 0Hz/1s			HORIZONTAL Angle°						VERTICAL Angle°					
dB (nom)	Current mA	Volume Code	15	45	75	105	135	165	15	45	75	105	135	165
102	8	0F	81	88	93	93	89	77	82	88	92	93	90	81

TONE 25														
970Hz			HORIZONTAL Angle°						VERTICAL Angle°					
dB (nom)	Current mA	Volume Code	15	45	75	105	135	165	15	45	75	105	135	165
102	8	0F	82	88	93	93	90	78	83	89	92	93	91	80

TONE 26														
660Hz/1.8s 0Hz/1.8s			HORIZONTAL Angle°						VERTICAL Angle°					
dB (nom)	Current mA	Volume Code	15	45	75	105	135	165	15	45	75	105	135	165
102	8	0F	82	90	94	94	90	84	86	89	93	93	89	84

TONE 27														
660Hz/6.5s 0Hz/13s			HORIZONTAL Angle°						VERTICAL Angle°					
dB (nom)	Current mA	Volume Code	15	45	75	105	135	165	15	45	75	105	135	165
102	8	0F	85	86	93	93	89	85	85	92	93	94	90	84

TONE 28														
660Hz			HORIZONTAL Angle°						VERTICAL Angle°					
dB (nom)	Current mA	Volume Code	15	45	75	105	135	165	15	45	75	105	135	165
102	8	0F	80	89	94	94	89	84	85	88	93	92	89	82

TONE 29														
554Hz/0.5s 440Hz/0.5s			HORIZONTAL Angle°						VERTICAL Angle°					
dB (nom)	Current mA	Volume Code	15	45	75	105	135	165	15	45	75	105	135	165
102	8	0F	82	89	92	91	88	83	83	89	92	92	89	83

TONE 30														
660Hz/0.5s 0Hz/0.5s			HORIZONTAL Angle°						VERTICAL Angle°					
dB (nom)	Current mA	Volume Code	15	45	75	105	135	165	15	45	75	105	135	165
102	8	0F	80	89	94	94	90	83	85	88	92	92	88	83

TONE 31														
2850Hz/0.15s 0Hz/0.1s			HORIZONTAL Angle°						VERTICAL Angle°					
dB (nom)	Current mA	Volume Code	15	45	75	105	135	165	15	45	75	105	135	165
102	8	0F	86	94	98	98	95	81	87	94	96	98	96	84

TONE 32														
2400-2850Hz/0.02s Sweep			HORIZONTAL Angle°						VERTICAL Angle°					
dB (nom)	Current mA	Volume Code	15	45	75	105	135	165	15	45	75	105	135	165
102	8	0F	86	93	96	96	94	84	87	94	97	97	94	85

TONE 33														
800-970Hz/0.5s Sweep			HORIZONTAL Angle°						VERTICAL Angle°					
dB (nom)	Current mA	Volume Code	15	45	75	105	135	165	15	45	75	105	135	165
102	8	0F	86	92	95	96	93	83	85	91	95	95	92	81

TONE 34														
988Hz/0.25s 645Hz/0.25s			HORIZONTAL Angle°						VERTICAL Angle°					
dB (nom)	Current mA	Volume Code	15	45	75	105	135	165	15	45	75	105	135	165
102	8	0F	87	89	94	95	93	85	86	89	94	95	92	85

TONE 35														
510Hz/0.25s 610Hz/0.25s			HORIZONTAL Angle°						VERTICAL Angle°					
dB (nom)	Current mA	Volume Code	15	45	75	105	135	165	15	45	75	105	135	165
102	8	0F	88	92	95	95	92	84	87	91	94	94	92	84

TONE 36														
800-970Hz/0.11s Sweep			HORIZONTAL Angle°						VERTICAL Angle°					
dB (nom)	Current mA	Volume Code	15	45	75	105	135	165	15	45	75	105	135	165
102	8	0F	84	90	94	95	91	81	84	90	94	94	92	81

TONE 37														
800-970Hz/0.33s Sweep			HORIZONTAL Angle°						VERTICAL Angle°					
dB (nom)	Current mA	Volume Code	15	45	75	105	135	165	15	45	75	105	135	165
102	8	0F	85	91	95	96	92	82	85	91	94	95	92	81

TONE 38														
845Hz			HORIZONTAL Angle°						VERTICAL Angle°					
dB (nom)	Current mA	Volume Code	15	45	75	105	135	165	15	45	75	105	135	165
102	8	0F	85	91	95	96	93	75	84	89	95	96	93	79

TONE 39														
970Hz/1s 0Hz/1s			HORIZONTAL Angle°						VERTICAL Angle°					
dB (nom)	Current mA	Volume Code	15	45	75	105	135	165	15	45	75	105	135	165
102	8	0F	81	89	92	93	90	77	83	90	93	94	90	81

TONE 40														
800Hz/0.15s 970Hz/0.15s			HORIZONTAL Angle°						VERTICAL Angle°					
dB (nom)	Current mA	Volume Code	15	45	75	105	135	165	15	45	75	105	135	165
102	8	0F	86	91	96	96	93	83	86	92	95	95	92	83

TONE 41														
2400-2850Hz/0.11s Sweep			HORIZONTAL Angle°						VERTICAL Angle°					
dB (nom)	Current mA	Volume Code	15	45	75	105	135	165	15	45	75	105	135	165
102	8	0F	86	92	95	96	93	83	86	92	95	96	93	82

TONE 42														
2400-2850Hz/0.33s Sweep			HORIZONTAL Angle°						VERTICAL Angle°					
dB (nom)	Current mA	Volume Code	15	45	75	105	135	165	15	45	75	105	135	165
102	8	0F	86	92	95	95	93	83	86	92	95	96	93	82

TONE 43														
2850Hz/1s 0Hz/1s			HORIZONTAL Angle°						VERTICAL Angle°					
dB (nom)	Current mA	Volume Code	15	45	75	105	135	165	15	45	75	105	135	165
102	8	0F	87	94	98	98	95	82	86	94	96	98	96	83

TONE 44														
2400Hz/0.15s 2850Hz/0.15s			HORIZONTAL Angle°						VERTICAL Angle°					
dB (nom)	Current mA	Volume Code	15	45	75	105	135	165	15	45	75	105	135	165
102	8	0F	88	93	97	98	95	85	89	94	97	97	95	87

TONE 45														
1200-500Hz/1s 0Hz/0.01s			HORIZONTAL Angle°						VERTICAL Angle°					
dB (nom)	Current mA	Volume Code	15	45	75	105	135	165	15	45	75	105	135	165
102	8	0F	89	92	96	97	94	87	87	92	96	96	93	86

TONE 46														
440Hz/0.6s 0Hz/0.6s			HORIZONTAL Angle°						VERTICAL Angle°					
dB (nom)	Current mA	Volume Code	15	45	75	105	135	165	15	45	75	105	135	165
102	8	0F	83	88	92	92	88	83	82	88	91	91	86	82

TONE 47														
500-1200Hz/3.75s 0Hz/0.025s			HORIZONTAL Angle°						VERTICAL Angle°					
dB (nom)	Current mA	Volume Code	15	45	75	105	135	165	15	45	75	105	135	165
102	8	0F	91	94	98	97	94	87	89	92	97	96	93	86

TONE 48														
925/628Hz/0.25s 0Hz/0.5s			HORIZONTAL Angle°						VERTICAL Angle°					
dB (nom)	Current mA	Volume Code	15	45	75	105	135	165	15	45	75	105	135	165
102	16	0F	87	90	94	94	91	83	88	90	94	95	93	83

TONE 49														
300-1200Hz/0.5s 0Hz/0.5s Sweep			HORIZONTAL Angle°						VERTICAL Angle°					
dB (nom)	Current mA	Volume Code	15	45	75	105	135	165	15	45	75	105	135	165
102	8	0F	89	92	96	97	93	86	89	91	96	96	93	86

TONE 50														
1200-300Hz/0.5s 0Hz/0.5s Sweep			HORIZONTAL Angle°						VERTICAL Angle°					
dB (nom)	Current mA	Volume Code	15	45	75	105	135	165	15	45	75	105	135	165
102	8	0F	87	91	95	95	92	86	87	90	95	95	92	85

TONE 51														
500-1200Hz/3.5s 0Hz/0.5s			HORIZONTAL Angle°						VERTICAL Angle°					
dB (nom)	Current mA	Volume Code	15	45	75	105	135	165	15	45	75	105	135	165
102	8	0F	90	93	97	97	94	88	89	92	96	97	93	86

- CHQ-BS tone equivalents (in brackets): this is the tone that corresponds to the older version of Base Sounder CHQ-BS, and applies to the first 7 tones listed. The other tone patterns are new to the CHQ-WS2 sounder device.
- dB (nom): this is the nominal or target SPL level expected.
- Volume code: this is the volume code required to set the current level and overall SPL.
- Sound output: this is the minimum sound output that the CHQ-WS2 Wall Sounder will produce, taking into account manufacturing tolerances, temperature and conditions of operation.



Hochiki Europe (UK) Ltd
Grosvenor Road, Gillingham Business Park,
Gillingham, Kent, ME8 0SA, England
Telephone: +44(0)1634 260133 Facsimile: +44(0)1634 260132
Email: sales@hochikieurope.com Web: www.hochikieurope.com

Hochiki Europe (UK) Ltd. reserves the right to alter the specification of its products from time to time without notice. Although every effort has been made to ensure the accuracy of the information contained within this document it is not warranted or represented by Hochiki Europe (UK) Ltd. to be a complete and up-to-date description. Please check our web site for the latest version of this document.