

6000PLUS Discrete Sounder Range Sounder / Sounder VAD

- High Output Electrical Sounder
- Visual Alarm Device (VAD) with 7.5 Coverage Diameter
- Programmable Volume Control
- LED Technology for Long Service Life
- Quick and Simple to Install
- FAST™ Addressing
- Loop Powered and Integral Short Circuit Isolator
- Protec Algo-Tec™ 6000PLUS Protocol
- Approved to EN54 Part 3, 17 & 23



The Protec 6000PLUS Discrete Sounder with optional Visual Alarm Device (VAD) is Loop Powered and utilises the 6000PLUS sensor range common mounting base.

Sounder – The device is equipped with an integrated loop powered electronic sounder with three programmable sounder tone options, constant, pulse or warble, selectable by the control panel along with adjustable volume control. A loop short circuit isolator is also incorporated. The sounder tones are compatible with the full range of Protec 6000 Electronic Sounders.

Discrete VAD - The device is designed for installation at a height of up to 3m and adjustable from 3m to 7.5m room coverage to suit all applications.

For smaller areas, the device can be switched down from 7.5m to 3m thus reducing power consumption and maximising the number of devices on the loop.

The product has a unique lens that distributes the light in a cylindrical shape to achieve the required illumination of 0.4lux/m² over the entire room area in accordance with EN54 Part 23.

The design is based on LED technology for long life, reliability and low power consumption. Compliant with DDA legislation, this high intensity led VAD warns those with hearing impairments or in noisy environments.

Order Codes

6000P/S
6000PLUS Sounder

6000P/SVAD
6000PLUS Sounder Beacon

6000PLUS/BASE
Low profile common mounting base

6000PLUS/FFBASE
Fast fixing semi recessed base

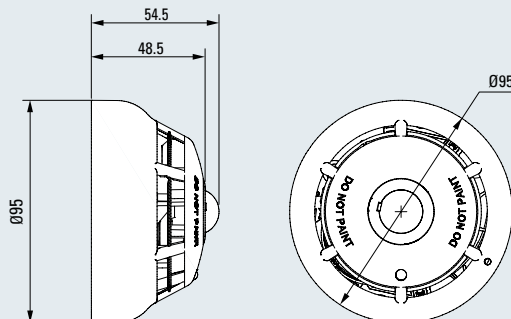
Note - base options above are included in the product approval.

Technical Specification

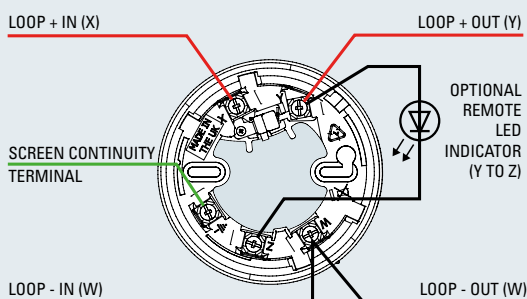


15LHK0958-01

Dimensions (mm)



Typical Wiring using 6000PLUS/BASE



Technical Specification

Environment	-10 to 50°C, 95% R.H (non condensation or icing)
Ingress Protection	IP33C
Weight (excluding base)	98g
Loop Powered	Yes
Voltage	18 - 28V
Loop Standby Load	6000P/S - 0.4mA, 6000P/SVAD - 0.55mA
Loop Peak Alarm Load	6000P/S - 5mA, 6000P/SVAD - 24mA
Mounting Height (x)	3 metres
Coverage(y)	7.5m configurable to 3m
Coverage Volume Code	C-3-7.5
Flash Rate	0.5Hz white flash
Isolator	Yes
Device Protocol	Algo-Tec™ 6000PLUS
Relevant Standard	EN54 Part 3, 17 & 23

Design Guidance

Protec VAD's have been approved to BS EN 54-23 and use the rating codes below:

C-x-y (eg C-3-7.5)

Where:

- C** is ceiling mounted
- x** is the maximum height (M)
- y** is the illumination diameter for the cylindrical volume (M)

BS EN 54-23 approved VAD's are approved as ceiling mounted and must provide a minimum illumination level of 0.4 lux for the stated volume

Table B: Indirect Viewing

Coverage volumes for various ambient light levels (lux)

BS EN54-23 Rating	C-3-7.5
Mounting Position	Ceiling
Less than 100 lux	9.8dia
100 - 200 lux	9dia
200 - 300 lux	7.5dia
300 - 400 lux	6dia
400 - 500 lux	4.5dia
500 - 600 lux	3.8dia
600 - 700 lux	*
700 - 800 lux	*

Coverage volumes height, diameter, length and width dimensions are in metres.

* Where ambient light levels may, at any time, exceed 600 lux, direct viewing is preferred (CoP 001 clause 4.6.9.4)

Tone Options

Warble Tone: 990Hz(250ms), 730Hz(250ms)
 Continuous Tone: 990Hz
 Pulse Tone: 990Hz(500ms), Silence(500ms)

Tone Volume Options

The tone and volume are selectable at the control panel (measured at one metre):
 High: 85dB(A), Mid: 75dB(A), Low: 65dB(A)

Table A: Direct Viewing

Coverage volumes for various ambient light levels (lux)

BS EN54-23 Rating	C-3-7.5
Mounting Position	Ceiling
Less than 100 lux	21dia
100 - 200 lux	18dia
200 - 300 lux	14.3dia
300 - 400 lux	10.5dia
400 - 500 lux	8.3dia
500 - 600 lux	6.8dia
600 - 700 lux	5.3dia
700 - 800 lux	3.8dia

