

# Velocity CONTROL PANEL

## Installation Manual



## Contents

Introduction .....	4
About the Velocity Fire Alarm System.....	4
Overall Features .....	4
Additional Features .....	5
Document Conventions.....	5
Circuits and Zones .....	5
Wiring Styles.....	5
System Components .....	6
Panel Types .....	6
Panel Modules.....	9
Control Panel Installation and Dimensions .....	11
Enclosure Dimensions .....	11
Panel Construction Details .....	11
Locating the Fire Alarm Control Panel.....	12
Mounting the Enclosure .....	12
Mounting Hole Dimensions.....	12
Planning Cable Entry .....	14
Cable Grounding.....	14
Mains Wiring .....	14
Battery Wiring .....	16
Securing the batteries .....	17
Assembling the MMP panel .....	19
Initial Power Up.....	20
Module Installation .....	20
TRM RJ45 Port Address Designation .....	21
Securing the modules.....	21
Before Powering the Panel On .....	21
Power on Procedure.....	22
Field Wiring .....	23
Wiring Overview.....	24
VL-NCA Field Wiring Connections .....	25
VL-NCB Field Wiring Connections.....	26
Wiring recommendations for Notification Appliance Circuits (VL-NCA & VL-NCB).....	27
VL-NCA & VL-NCB Specifications .....	27
Compatible Notification Devices .....	28
Maximum Notification Devices per Circuit.....	28
VL-MIM Field Wiring Connections.....	29
Wiring Recommendations for Input Circuits (VL-MIM).....	29
VL-MIM Specifications.....	29
VL-MRM Field Wiring Connections.....	30
VL-MRM Specifications.....	30

VL-ZMA Field Wiring Connections ..... 31

VL-ZMB Field Wiring Connections ..... 31

Wiring Recommendations for Initiating Device Circuits (VL-ZMA & VL-ZMB)..... 32

VL-ZMA & VL-ZMB Specifications ..... 32

VL-NWM Field Wiring Connections ..... 33

Wiring Recommendations for Network Wiring (VL-NWM) ..... 34

VL-NWM Specifications ..... 34

VL-SLC Field Wiring Connections ..... 35

Wiring Recommendations for Signalling Line Circuits (VL-SLC) ..... 36

SLC Device Wiring and Device Information ..... 36

VL-SLC Specifications ..... 43

Compatible SLC Devices ..... 43

Power Supply..... 44

    PSU Specifications ..... 44

    PSU Fuses ..... 45

    Power Supply Status Indications ..... 45

    Power Supply Signals..... 45

Fault Finding..... 46

Appendix A: SPECIFICATIONS ..... 46

Appendix B: STANDBY BATTERY REQUIREMENTS ..... 47

Appendix C: DEVICE ADDRESS SETTING (VDOT-AD2)..... 48

Appendix D: PRODUCT CODES ..... 49

Appendix E: EARTH FAULT IMPEDANCE VALUES..... 50

# Introduction

## **About the Velocity Fire Alarm System**

The Velocity Control Panel is a powerful intelligent fire alarm control system with a user friendly 4.3 inch touch screen display, which has been designed to provide reliable life safety and property protection, while also being easy to install, commission and operate. The Velocity system is totally modular which enables it to satisfy any size building fire alarm needs.

By adding intelligent loop modules, the Velocity can be upgraded to support up to 3048 detectors and devices spread across a flexible SLC loops (maximum of twelve SLC). The system can also be expanded by adding Form C relay output modules, network interface modules, NAC modules, and zone monitor class A & B modules for manual initiating devices.

The Velocity system's touchscreen interface is designed to make status information clear, and system control functions simple to operate. Through the use of function buttons on the systems display the user can easily "Acknowledge" events, "Silence" or "Unsilence" building audibles, or "Reset" the system. The system status presentation is structured to allow the different types of system events (Alarms, Supervisory, and Trouble) to be viewed independently. Each system event presents the user with a message describing the location of the alarm report and the type of event (manual alarm, smoke, or heat). If additional details about the nature of the alarm report or its location are required, the user can add a text label to the device or zone.

The 32-bit microcontroller (MCU) at the heart of Velocity, rapidly processes logical decisions based on the status of the smoke detection and other initiating devices to control the system outputs. The Windows based software configuration tool **Velocity Connect** is used to configure the system's operation based on the customer specified operating requirements, and reduce commissioning/installation times.

The Velocity system continuously checks all software and hardware for proper operation. It checks all control panel electronic hardware, system memory components, and the system program. A hardware watchdog circuit is provided to ensure that system programs are functioning properly. If a problem develops with the program or processor, the watchdog circuit places the system into a trouble condition and resets it.

The Velocity system is equipped with a backup microprocessor on its termination board. To ensure reliable operation, if the main panel's CPU stops, the backup CPU will take over and allow the system to still be able to detect and annunciate alarms. The fire alarm operation is always processed as the highest priority over all other operating modes.

## **Overall Features**

- Modular construction allows a panel to be specified using just the required modules.
- Up to 4, 6 or 12 SLC modules (depending on panel model).
- 4.3" colour touch screen display.
- Capacity for up to 26 intelligent modules (depending on panel model).
- Full system redundancy. (In the unlikely event of a failure of the main processor, the backup processor will take over to give alarm coverage.)
- Extensive Day/Night mode programming.
- Full cause & effect programming via front of panel or the Velocity Connect PC software.
- 254 Velocity devices per SLC.
- 254 available programmable zones.
- Up to 64 panel peer-to-peer network.
- Positive Alarm Sequence.
- Automatic Drift Compensation.
- Alarm Verification.
- Mains Trouble output delay of up to 240 minutes.
- NAC special application 24V mode.
- 10 or 15 AMP PSU available (depending on panel model).

## Additional Features

There is PC configuration software, a remote annunciator and a LED Expander PCB available.

PC Configuration Software: Velocity Connect

Remote Annunciator: VL-MMP/RA

LED Expansion PCB: VL-MMP/ZLX

## Document Conventions

### **Circuits and Zones**

Circuit = this refers to an actual electrical interface, initiating (detection), indicating (signal), or relay.

Zone = this is a logical concept for a fire alarm protected area, and will consist of at least one circuit.

The terms zone and circuit are used interchangeably throughout this manual.

On the Velocity, circuits can be either conventional or addressable inputs or outputs. Both hardwired conventional inputs and outputs, and addressable inputs and outputs may be grouped together to form logical zones.

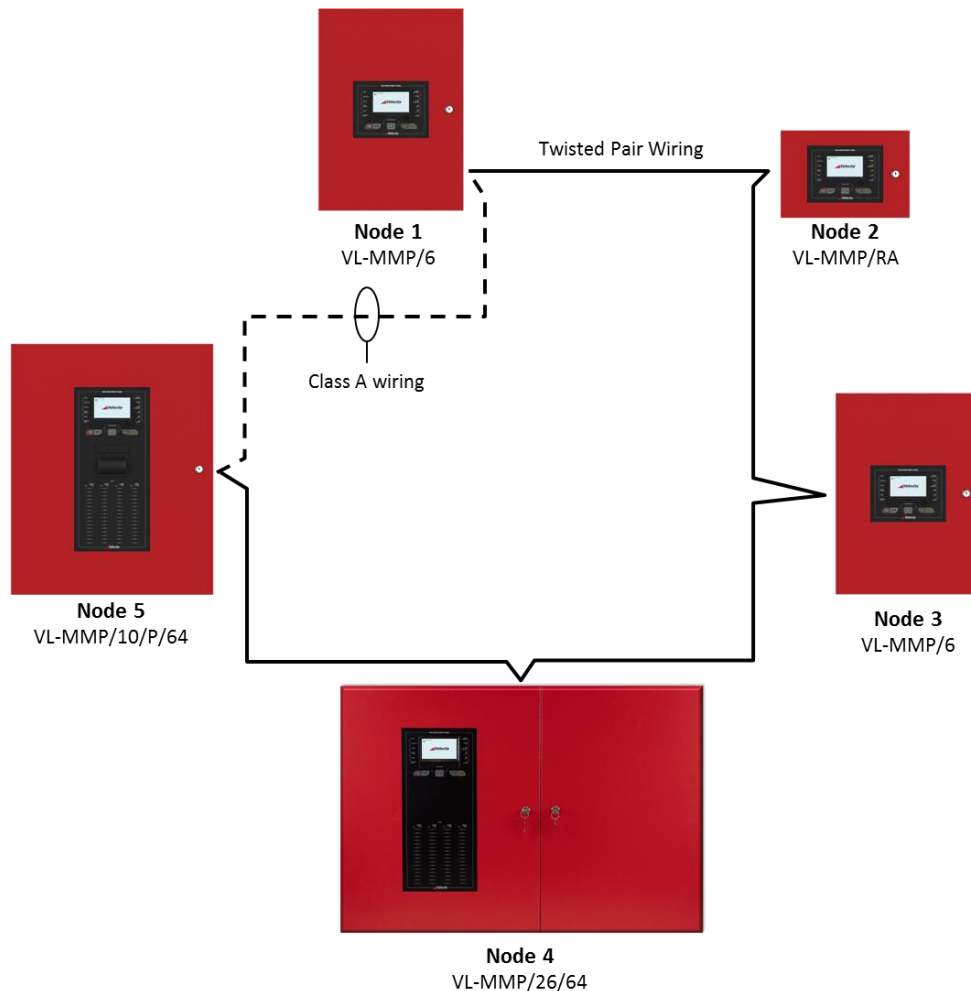
### **Wiring Styles**

**SLC Circuits** have a redundant pathway (powered from both sides of the circuit) and are able to be wired either in the Class A designation or in the Class X designation (designed to operate past any a single short circuit with the addition of compatible UL listed isolators, such as VDOT-SCI).

**ZM Circuits** are available in two different wiring classes. The VL-ZMA has 3 Class A circuits that have a redundant path to operate past a single open circuit. The VL-ZMB has 6 Class B circuits that do not have a redundant path; they simply terminate at the last device.






**NAC Circuits** are available in two different wiring classes. The VL-NCA has 1 Class A circuit that has a redundant path to operate past a single open circuit. The VL-NCB has 2 Class B circuits that do not have a redundant path; they simply terminate at the last device.






Typical Velocity Network Fire Alarm Wiring



# System Components

## Panel Types

	Model	Description
	VL-MMP/6	<ul style="list-style-type: none"> <li>• W:380mm x H:530mm</li> <li>• Space for up to 6 small modules</li> <li>• Supplied with a 240W PSU</li> <li>• Available in black or red</li> <li>• Space for 2 x 12Ah batteries.</li> </ul>
	VL-MMP/10	<ul style="list-style-type: none"> <li>• W:500mm x H:600mm</li> <li>• Space for up to 10 small modules</li> <li>• Supplied with a 240W PSU</li> <li>• Available in black or red</li> <li>• Space for 2 x 38Ah batteries</li> </ul>
	VL-MMP/10/64	<ul style="list-style-type: none"> <li>• W:500mm x H:600mm</li> <li>• Space for up to 10 small modules</li> <li>• Equipped with 64 zone LED expansion</li> <li>• Supplied with a 240W PSU</li> <li>• Available in black or red</li> <li>• Space for 2 x 38Ah batteries</li> </ul>
	VL-MMP/10/P	<ul style="list-style-type: none"> <li>• W:500mm x H:600mm</li> <li>• Space for up to 10 small modules</li> <li>• Equipped with UL listed panel printer</li> <li>• Supplied with a 240W PSU</li> <li>• Available in black or red</li> <li>• Space for 2 x 38Ah batteries</li> </ul>
	VL-MMP/10/P/64	<ul style="list-style-type: none"> <li>• W:500mm x H:600mm</li> <li>• Space for up to 10 small modules</li> <li>• Equipped with UL listed panel printer</li> <li>• Equipped with 64 zone LED expansion</li> <li>• Supplied with a 240W PSU</li> <li>• Available in black or red</li> <li>• Space for 2 x 38Ah batteries</li> </ul>

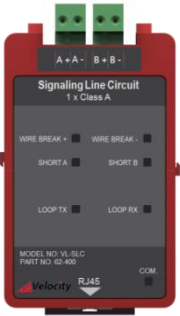


	<p>VL-MMP/26</p>	<ul style="list-style-type: none"> <li>• W:1000mm x H:665mm</li> <li>• Space for up to 26 small modules</li> <li>• Supplied with a 400W PSU</li> <li>• Available in black or red</li> <li>• Space for 2 x 65Ah batteries</li> </ul>
	<p>VL-MMP/26/64</p>	<ul style="list-style-type: none"> <li>• W:1000mm x H:665mm</li> <li>• Space for up to 26 small modules</li> <li>• Equipped with 64 zone LED expansion</li> <li>• Supplied with a 400W PSU</li> <li>• Available in black or red</li> <li>• Space for 2 x 65Ah batteries</li> </ul>
	<p>VL-MMP/26/P</p>	<ul style="list-style-type: none"> <li>• W:1000mm x H:665mm</li> <li>• Space for up to 26 small modules</li> <li>• Equipped with UL listed panel printer</li> <li>• Supplied with a 400W PSU</li> <li>• Available in black or red</li> <li>• Space for 2 x 65Ah batteries</li> </ul>
	<p>VL-MMP/26/P/64</p>	<ul style="list-style-type: none"> <li>• W:1000mm x H:665mm</li> <li>• Space for up to 26 small modules</li> <li>• Equipped with UL listed panel printer</li> <li>• Equipped with 64 zone LED expansion</li> <li>• Supplied with a 400W PSU</li> <li>• Available in black or red</li> <li>• Space for 2 x 65Ah batteries</li> </ul>
	<p>VL-MMP/RA</p>	<ul style="list-style-type: none"> <li>• W:300mm x H:200mm</li> <li>• Velocity Remote Annunciator</li> <li>• Please refer to GLT-261-7-3 Velocity Remote Annunciator Manual for further information</li> </ul>

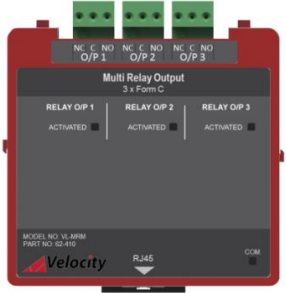

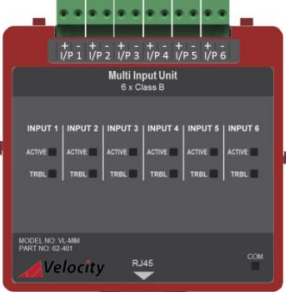
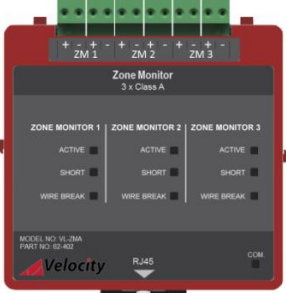


All panel versions are also available in black.

Model	Description
VL-MMP/6-B	Velocity MMP 6 expansion port panel, Black
VL-MMP/10-B	Velocity MMP 10 expansion port panel, Black
VL-MMP/10-B/64	Velocity MMP 10 expansion port panel, with zonal LED indication, Black
VL-MMP/10-B/P	Velocity MMP 10 expansion port panel, with built in printer, Black
VL-MMP/10-B/P/64	Velocity MMP 10 expansion port panel, with zonal LED indication and built in printer, Black
VL-MMP/26-B	Velocity MMP 26 expansion port panel, Black
VL-MMP/26-B/64	Velocity MMP 26 expansion port panel, with zonal LED indication, Black
VL-MMP/26-B/P	Velocity MMP 26 expansion port panel, with built in printer, Black
VL-MMP/26-B/P/64	Velocity MMP 26 expansion port panel, with zonal LED indication and built in printer, Black
VL-MMP/RA-B	Velocity MMP Remote annunciator, Black



## Panel Modules

	Model No.	Description	Technical								
	VL-SLC	<p>Signaling Line Circuit Module The plug-in SLC module provides power for, and handles communications to the analogue addressable devices. It has 4 trouble status LED's for added fault finding assistance.</p>	<p><u>Wiring Classification:</u> Supervised, Power Limited, Ground fault Monitored – See Appendix E.  <u>Maximum SLC Current:</u> 500mA  <u>Maximum SLC Capacity:</u> 254 Addresses  <u>Maximum SLC Length:</u> 2KM  <u>Maximum SLC Resistance:</u> 22Ω + to +, 22Ω - to -)  <u>Maximum SLC Capacitance:</u> 100nF  <u>Maximum SLC Baud Rate:</u> 4334 bits per second  <u>Wiring Class:</u> Class A or Class X  <u>Compatible Devices:</u> VDOT-PY, VDOT-PY3, VDOT-PYH, VDOT-PYH3, VDOT-S6, VDOT-SCI, VDOT-ZMU-SCI, VDOT-DIP-SCI, VDOT-DOP-AC240V-SCI, VDOT-DOP-SCI, VDOT-DPH, VDOT-H2, VDOT-H3, VDOT-H2-H, VDOT-H3-H, VDOT-MiniIP</p>								
	VL-NCA	<p>Notification Appliance Circuit Module (Class A) The plug-in NAC module provides power for, and handles the operation for the non-addressable notification appliances (horns and sirens). It has 1 x class A circuit and can be programmed to provide a 24VDC auxiliary output.</p>	<p><u>Wiring Classification:</u> Supervised, Power Limited, Ground fault Monitored – See Appendix E.  <u>NAC Voltage:</u> 29VDC Nominal  <u>Special Application Maximum NAC Current:</u> 1A  <u>Regulated Maximum NAC Current:</u> 0.1A  <u>Maximum NAC Impedance:</u> 1.8Ω (0.9 Ω per core)  <u>Maximum NAC Length:</u> Depends on AWG  <u>Wiring Class:</u> Class A [Power limited &amp; Supervised]  <u>Special Applications:</u> Auxiliary 24 VDC Output [Power limited &amp; Unsupervised]  <u>Compatible Devices:</u> VL-MH, VL-W-C, VL-W-M, VL-W-CS-W, VL-W-CS-R, VL-C-CS-W, VL-C-CS-R, VL-W-MS-R, VL-W-MS-W, VL-C-MS-R, VL-C-MS-W, VL-W-S-W, VL-W-S-R, VL-C-S-W, VL-C-S-R.</p> <p>Note: The overall panel current is shared between the Different Modules, Auxiliary output, and NAC circuits. The total Current should not Exceed:-</p> <table border="1" data-bbox="979 1149 1517 1274"> <thead> <tr> <th>Panel Model</th> <th>Current</th> </tr> </thead> <tbody> <tr> <td>VL-MMP/6</td> <td>3.9 Amps</td> </tr> <tr> <td>VL-MMP/10</td> <td>5.8 Amps</td> </tr> <tr> <td>VL-MMP/26</td> <td>11.1 Amps</td> </tr> </tbody> </table>	Panel Model	Current	VL-MMP/6	3.9 Amps	VL-MMP/10	5.8 Amps	VL-MMP/26	11.1 Amps
Panel Model	Current										
VL-MMP/6	3.9 Amps										
VL-MMP/10	5.8 Amps										
VL-MMP/26	11.1 Amps										
	VL-NCB	<p>Notification Appliance Circuit Module (Class B) The plug-in NAC module provides power for, and handles communications to the non-addressable notification appliances (horns and sirens). It has 2 x class B circuits and can be programmed to provide two 24V DC auxiliary outputs.</p>	<p><u>Wiring Classification:</u> Supervised, Power Limited, Ground fault Monitored – See Appendix E.  <u>NAC Voltage:</u> 29VDC Nominal  <u>Special Application Max NAC Current:</u> 2 x 500mA  <u>Regulated Max NAC Current:</u> 2 x 50mA  <u>Maximum NAC Impedance:</u> 3.6Ω (1.8Ω per core)  <u>Maximum NAC Length:</u> Depends on AWG  <u>Wiring Class:</u> 2 x Class B [Power limited &amp; Supervised]  <u>Special Applications:</u> Auxiliary 24 VDC Output [Power limited &amp; Unsupervised]  <u>End of Line Resistor:</u> VL-EOL/4k7 (4K7Ω)  <u>Compatible Devices:</u> VL-MH, VL-W-C, VL-W-M, VL-W-CS-W, VL-W-CS-R, VL-C-CS-W, VL-C-CS-R, VL-W-MS-R, VL-W-MS-W, VL-C-MS-R, VL-C-MS-W, VL-W-S-W, VL-W-S-R, VL-C-S-W, VL-C-S-R.</p> <p>Note: The overall panel current is shared between the Different Modules, Auxiliary output, and NAC circuits. The total Current should not Exceed:-</p> <table border="1" data-bbox="979 1895 1517 2020"> <thead> <tr> <th>Panel Model</th> <th>Current</th> </tr> </thead> <tbody> <tr> <td>VL-MMP/6</td> <td>3.9 Amps</td> </tr> <tr> <td>VL-MMP/10</td> <td>5.8 Amps</td> </tr> <tr> <td>VL-MMP/26</td> <td>11.1 Amps</td> </tr> </tbody> </table>	Panel Model	Current	VL-MMP/6	3.9 Amps	VL-MMP/10	5.8 Amps	VL-MMP/26	11.1 Amps
Panel Model	Current										
VL-MMP/6	3.9 Amps										
VL-MMP/10	5.8 Amps										
VL-MMP/26	11.1 Amps										

	<p>VL-MRM</p>	<p>Multi Relay Module – Form C A Relay module that is designed to be DIN mounted inside of a Velocity control panel. It's powered and interfaced to the CIE via a RJ45 connection. Can be configured as a programmable relay or a common alarm, common trouble or common supervisory relay via the panel settings.</p>	<p><u>Wiring Classification:</u> Non Supervised, Non Power Limited, Ground fault Not Monitored – See Appendix E. <u>Relay Type:</u> Form C x 3 <u>Switching Capacity:</u> 5 A, 30 VDC (resistive) 5 A, 250 VAC (resistive use) <u>Quiescent Current @ 30V:</u> 39.3mA <u>Relay Operated Current (LEDs ON):</u> 115.26mA</p>
	<p>VL-NWM</p>	<p>Network Module The Velocity system network has the facility to monitor, indicate and control the functions of a fire alarm installation, thus allowing signals to be distributed around a large site. The network will accommodate up to 64 nodes. The network uses RS485 data communication.</p>	<p><u>Wiring Classification:</u> Supervised, Power Limited, Ground fault Monitored – See Appendix E. <u>Communication Protocol:</u> RS485 <u>Maximum Network Size:</u> 64 Nodes <u>Maximum Distance Between Nodes:</u> 1KM (using a screened data cable) or 100M (using a standard fireproof cable) <u>Network Wiring Typologies:</u> Bus (Class B) or Ring (Class X)  <i>NOTE: Only 1 network module allowed per panel. If a second module is fitted, it will be powered down when the panel starts.</i></p>
	<p>VL-MIM</p>	<p>Multi Input module (Class B) An input module that is used to monitor and raise alarms from any ancillary equipment such as sprinkler flow switch, aspiration detectors, secondary fire control panel, beam detectors, external power supplies etc.</p>	<p><u>Wiring Classification:</u> Supervised, Power Limited, Ground fault Monitored – See Appendix E. <u>Input Voltage:</u> 23.7VDC Nominal <u>Wiring Class:</u> Class B x 6 <u>Quiescent Current @ 30V:</u> 39.3mA <u>Input Max Impedance:</u> 10Ω <u>Input End of Line:</u> VL-EOL/4k7 (4K7Ω)  <u>Alarm Triggering Resistor:</u> 1KΩ</p>
	<p>VL-ZMA</p>	<p>Zone Monitor (Class A) A zone monitor that can be typically used for switches and manual pull stations that are not available in addressable form. It has 3 x Class A input circuits.</p>	<p><u>Wiring Classification:</u> Supervised, Power Limited, Ground fault Monitored – See Appendix E. <u>Zone Voltage:</u> 29VDC Nominal <u>Wiring Class:</u> Class A x 3 [Power limited &amp; Supervised] <u>Zone Maximum Line Impedance:</u> 10Ω <u>Alarm Triggering Resistor:</u> 1KΩ <u>Compatible Devices:</u> GR-RS-01-GLT (UL38 listed)</p>
	<p>VL-ZMB</p>	<p>Zone Monitor (Class B) A zone monitor that can be typically used for switches and manual pull stations that are not available in addressable form. It has 6 x Class B input circuits.</p>	<p><u>Wiring Classification:</u> Supervised, Power Limited, Ground fault Monitored – See Appendix E. <u>Zone Voltage:</u> 26VDC Nominal <u>Wiring Class:</u> Class B x 6 [Power limited &amp; Supervised] <u>Zone Maximum Line Impedance:</u> 10Ω <u>End of Line Resistor:</u> VL-EOL/4k7 (4K7Ω) <u>Alarm Triggering Resistor:</u> 1KΩ <u>Compatible Devices:</u> GR-RS-01-GLT (UL38 listed)</p>
	<p>VL-232</p>	<p>This is most commonly used to connect the Velocity panel to an RS232 panel printer, or a desktop printer for real time event log printing. The module also has a 5V aux output that is used to provide power to the panel's internal printer.</p>	<p><u>Communication Protocol:</u> RS232 <u>Baud Rate:</u> 9600 <u>Data Bits:</u> 8 <u>Parity:</u> None <u>Stop Bits:</u> 1 <u>Compatible Devices:</u> CUSTOM PLUS2 Panel Printer</p>

# Control Panel Installation and Dimensions

## Enclosure Dimensions

See table 1 for full dimensions see table 1.

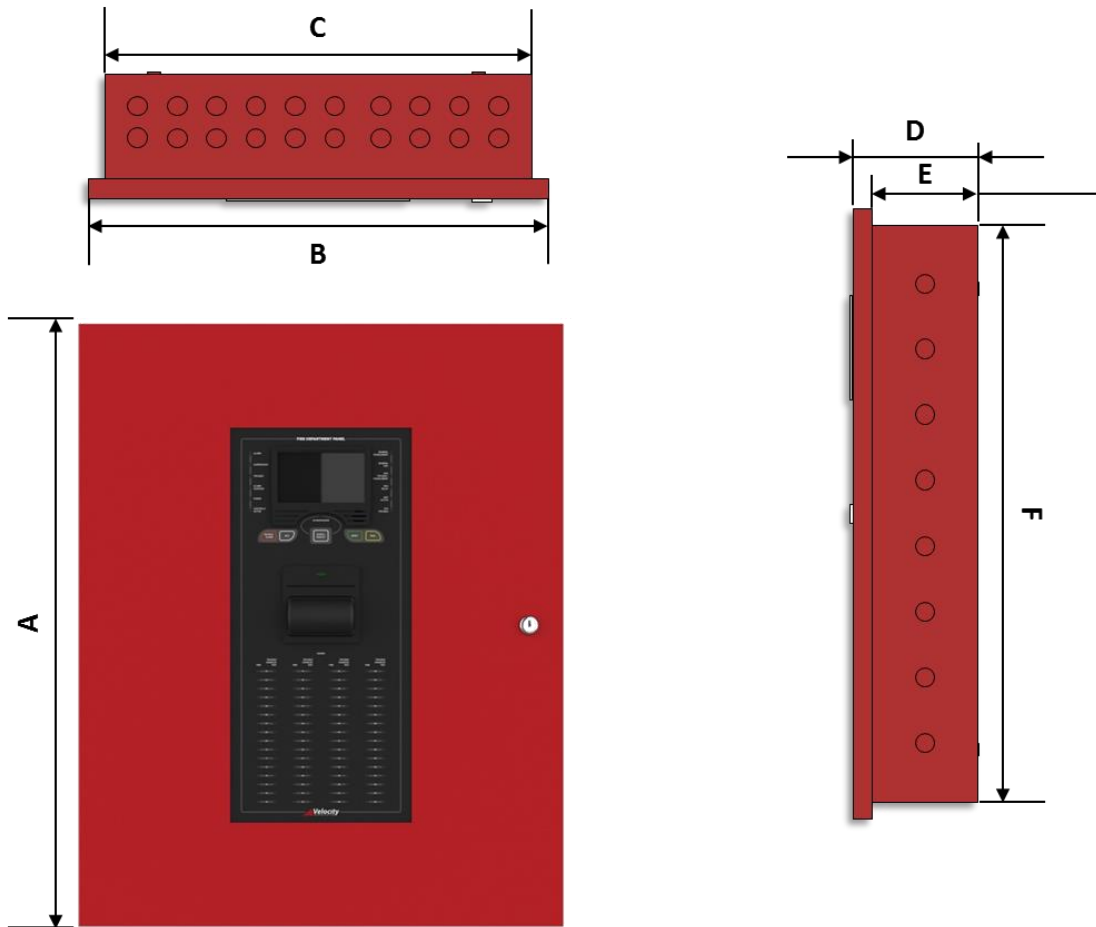


Table 1

Panel	A	B	C	D	E	F	Top Knock outs	Side Knock outs	Bottom Knock outs	Max Battery Size
VL-MMP/6	535mm	385mm	355mm	150mm	120mm	505mm	18	12	4	2 x 12Ah
VL-MMP/10	665mm	535mm	505mm	200mm	170mm	635mm	26	8	4	2 x 38Ah
VL-MMP/26	665mm	975mm	945mm	200mm	170mm	635mm	64	28	20	2 x 65Ah

## Panel Construction Details

All components are manufactured from Zintec.

### Large and Medium MMP Enclosures

Back box and door 1.5 mm

Door plate 0.9 mm

All internal parts are 0.9 mm

### Small MMP

All parts are 0.9 mm

### Repeater MMP

All parts 0.9 mm.

The paint colour for the main box and door is RAL3020 Red Leatherette (Red Version) or RAL9005 Black Leatherette (Black version).

The internals are RAL9005 Black Leatherette.

The control cabinet can be semi flushed into a wall or surface mounted.

## Locating the Fire Alarm Control Panel

The control panel should be installed per NFPA 70 and NFPA 72 recommendations: -

The panel should be close to the main entrance of the building, so that it can be viewed by any fire-fighting personnel entering the building.

- It should be fitted to a sturdy wall that will not flex unnecessarily.
- It should ideally be mounted at eye level, for it to be viewed without need of a ladder.
- It should be installed in a dry, weatherproof place, preferably NOT in direct sunlight.
- It should be easily accessible, so that the responsible person can perform their regular fire alarm checks.

The panel must be in a clean, dry position, which is not subject to excessive shock or vibration and at least 2 meters away from pager systems or any other radio transmitting equipment. The operating temperature range is 0°C (32°F) to 49°C (120°F); maximum humidity is 95%.

## Mounting the Enclosure

Fix the enclosure to the wall using all the mounting points provided:

MMP6: 4 x Mounting Points. See Fig 1

MMP10: 4 x Mounting Points See Fig 2

MMP26: 6 x Mounting Points. See Fig 3

Check the build and condition of the wall to decide a suitable screw fixing. The mounting holes are designed for No 8 roundhead or countersunk woodscrews (or similar). Remove any debris from the enclosure. Take care not to damage the FACP during installation.



**ATTENTION:** DO NOT DRILL ANY ENTRY HOLES INTO THE PSU SECTION OF THE ENCLOSURE WHICH IS LOCATED ON THE LEFT-HAND SIDE OF THE CONTROL PANEL CABINET.

## Mounting Hole Dimensions

Fig 1

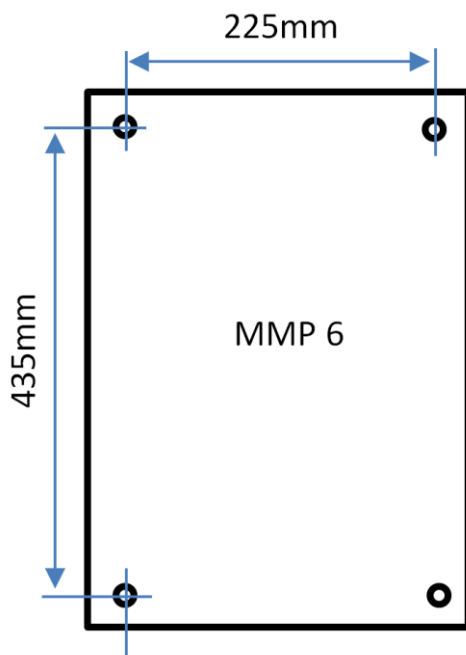


Fig 2

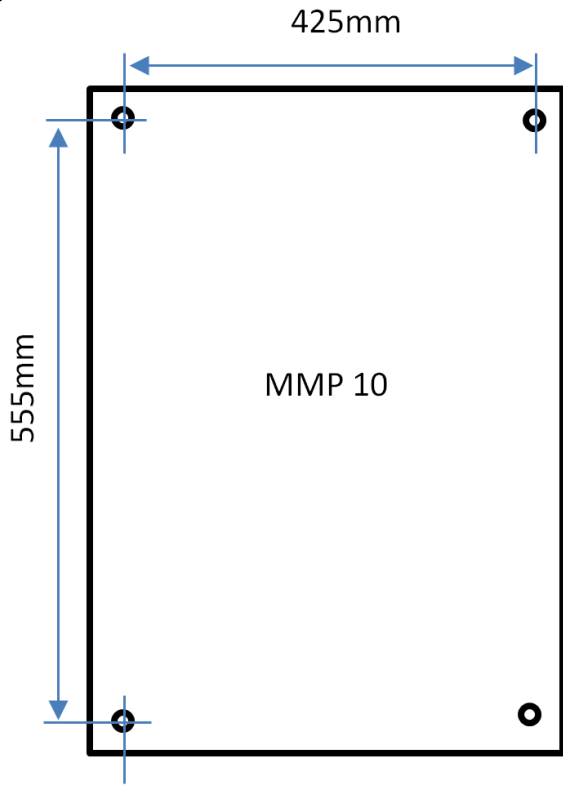
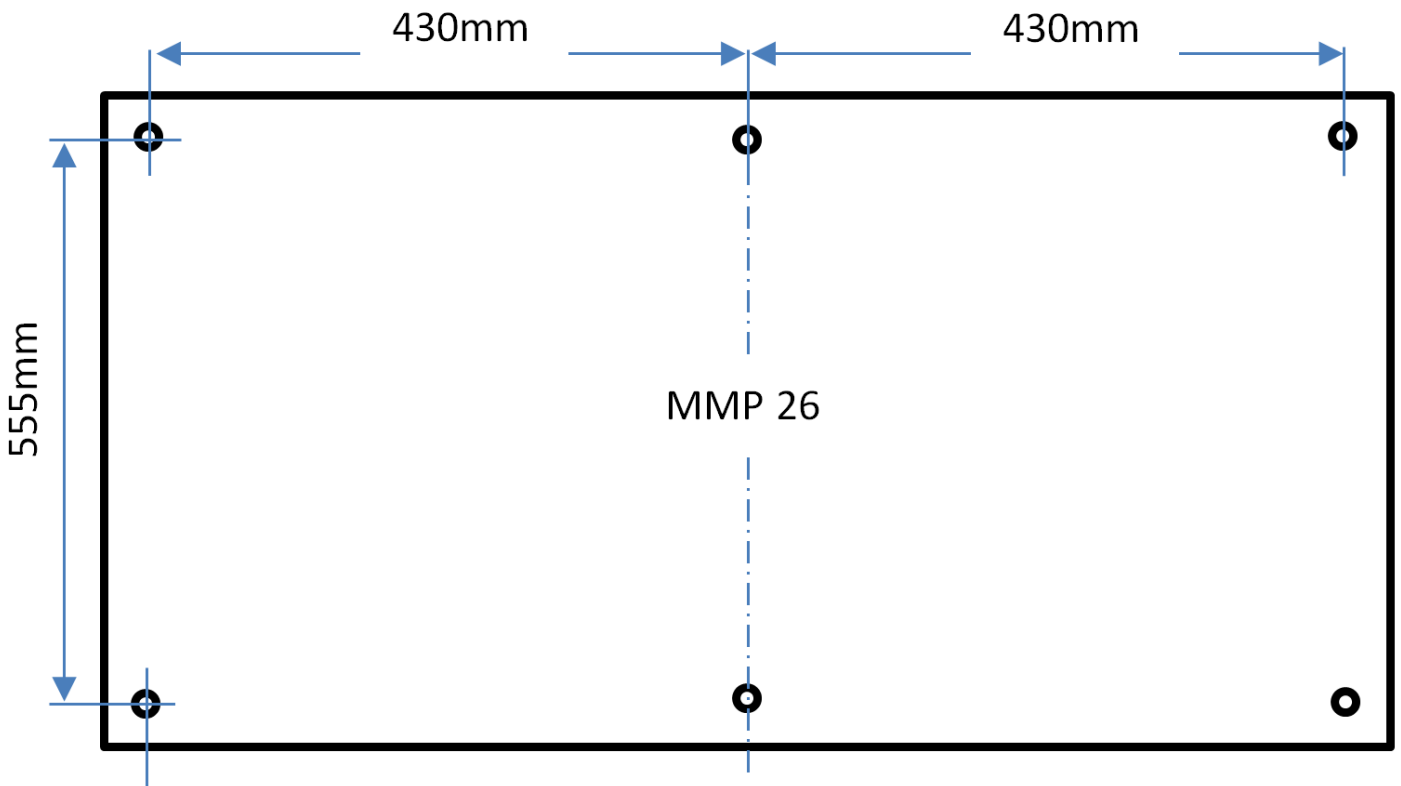


Fig 3



## Planning Cable Entry

The Knock-out cable entries can be easily removed by tapping with a suitable screwdriver or chisel from outside the control panel box. Alternatively, the entry can be drilled out, using a 20mm hole cutter. Care should be taken if using a drill. Consider removing the PCBs to prevent damaging them.

The VELOCITY MMP comes with many cable entry holes. If another entry hole is required, it is strongly recommended that the panel door is removed to avoid accidental damage. Also, the power supply and termination board should be removed and stored in a safe place. This would also help while fixing the back box to the wall.



**ATTENTION: DO NOT DRILL ANY ENTRY HOLES INTO THE PSU SECTION OF THE ENCLOSURE.**

## Cable Grounding

The MMP is provided with earth bars located along the top of the panel for grounding incoming wiring if needed.

The MMP 6 panel has 1 x 12 way earth bar.

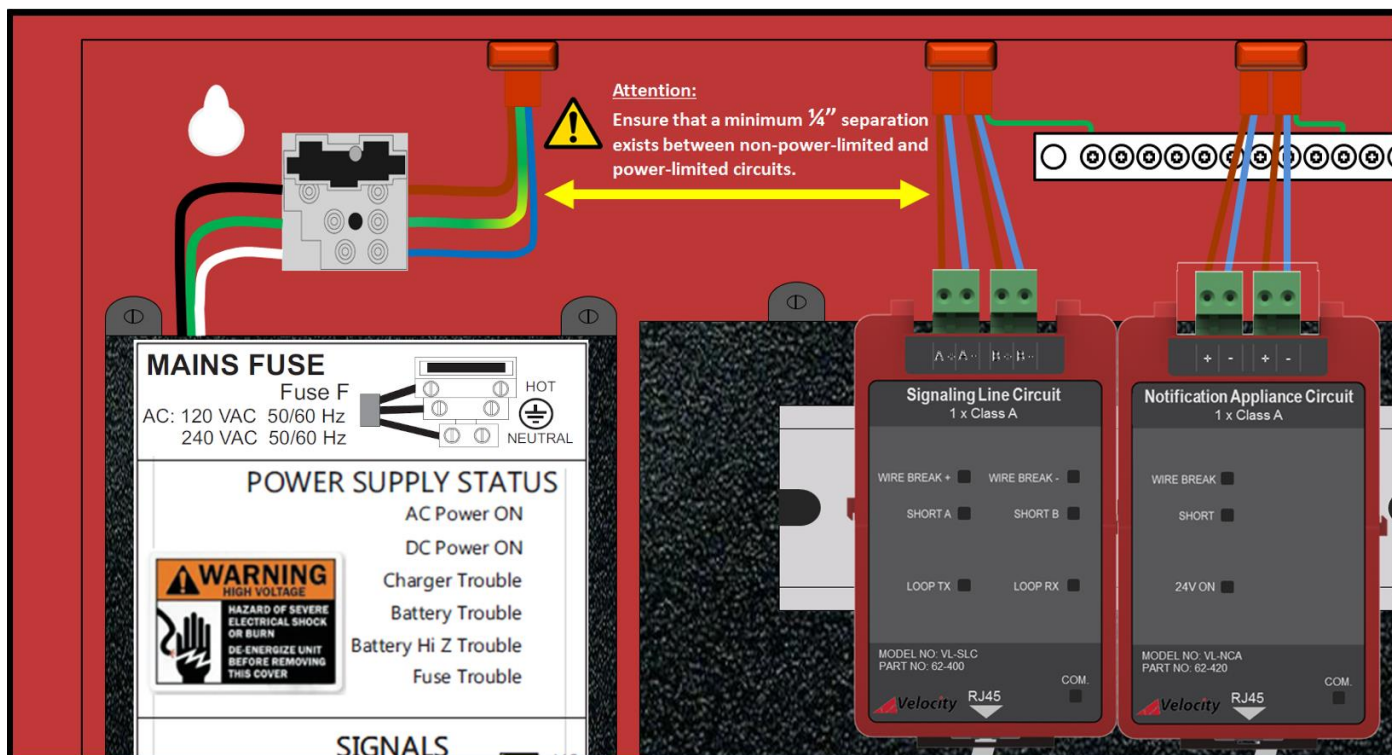
The MMP 10 panel has 2 x 12 way earth bars.

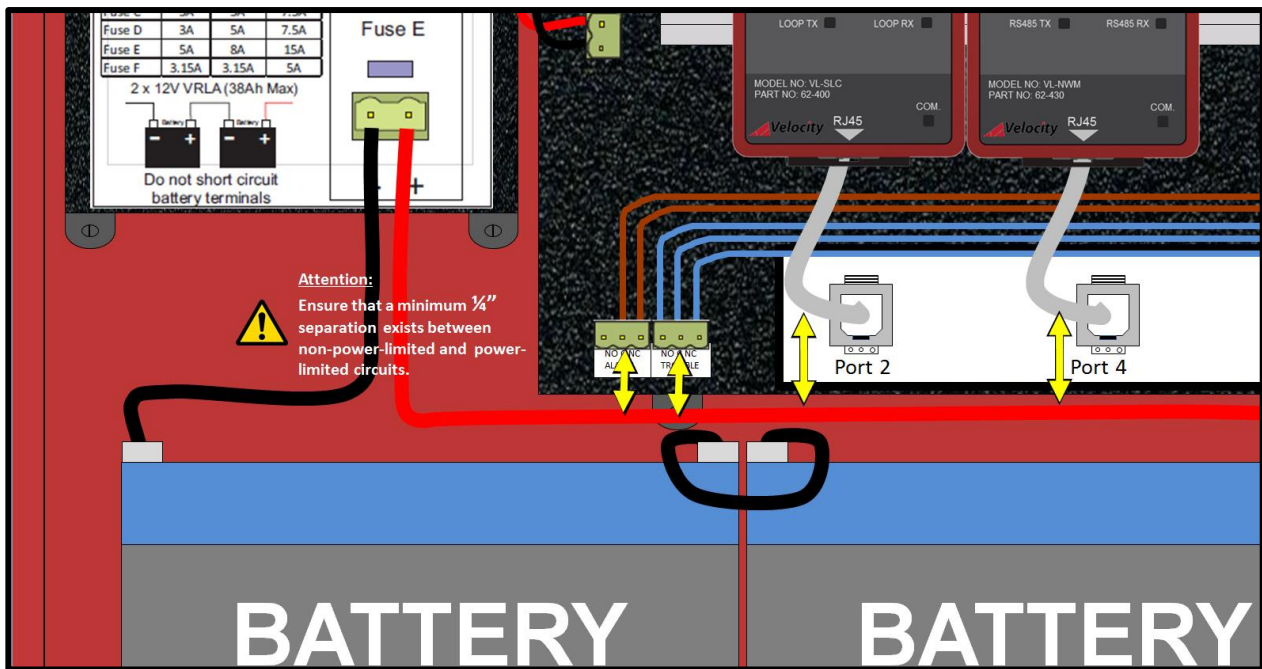
The MMP 26 panel has 3 x 12 way earth bars.

## Mains Wiring



**Note:** The AC (mains) input wiring, the back-up battery connections and the MRM relay module connections are non-power-limited. All other connections on the MMP panel are power limited. Ensure that a minimum 1/4" separation exists between non-power-limited and power-limited circuits.





**Recommendations**

The Mains supply to the FACP is fixed wiring, using Fire resisting 3-core cable (Between 1 mm<sup>2</sup> and 2.5mm<sup>2</sup>), or equivalent, fed from an isolating double pole switch fused spur, and fused at 5A. This should be secure from unauthorized operation and be marked 'FIRE ALARM: DO NOT SWITCH OFF'. The supply must be exclusive to the Fire Panel.

**Connecting the Mains Power**

The AC Live (L), Earth (E) and Neutral (N) connections are marked on the power supply cage. It is essential that the mains Earth cable is connected to the PSU's Earth terminal block. The incoming mains cable should be kept separate from the SLC cables to help minimise mains interference.



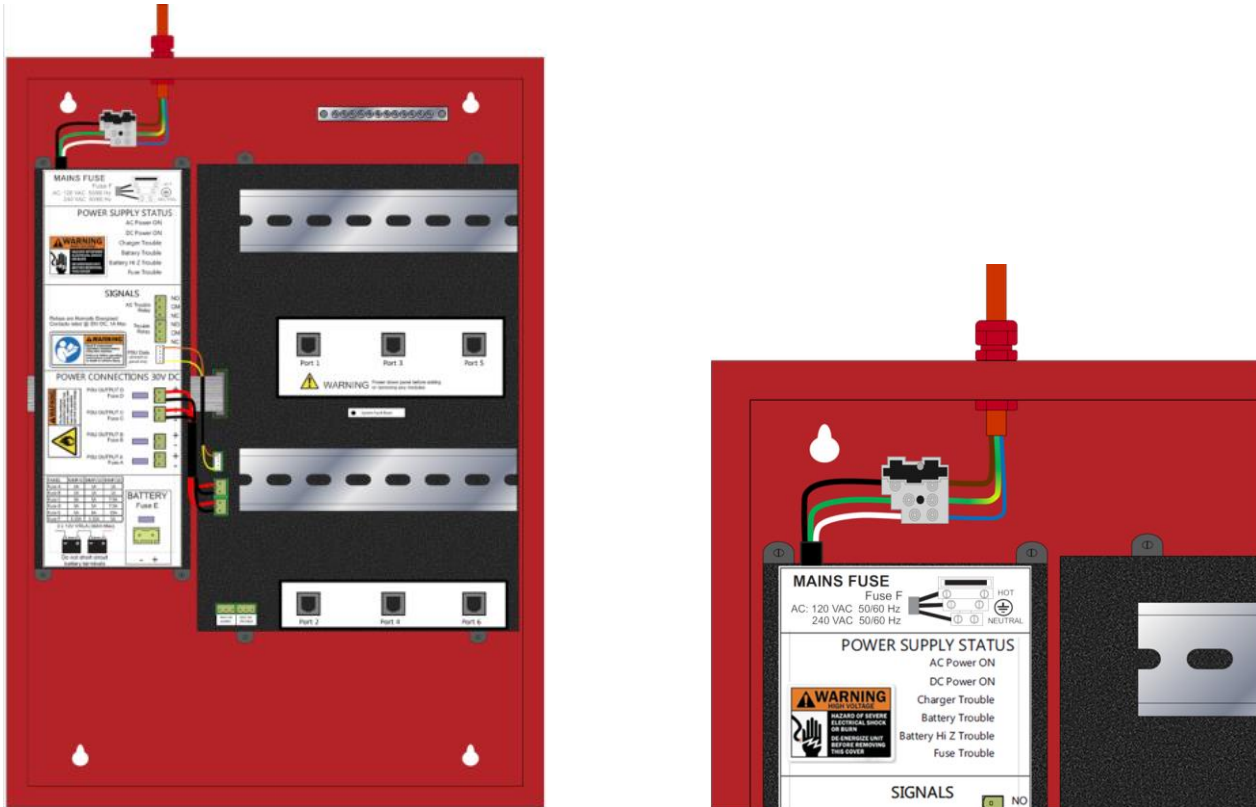
**ATTENTION:** MAKE SURE ANY SPARE ENTRY HOLES THAT HAVE BEEN OPENED, BUT NOT USED ARE COVERED WITH SUITABLE GROMMETS OR BLANKING SCREWS.

It is advisable to apply power to the panel before connecting any devices, to check for correct operation, and to familiarise yourself with the fire alarm panels controls.

If a knockout is removed, fill the hole with a suitable cable gland. If any knockout is removed, but subsequently not used, it should be covered up.

The AC Mains cable must be fed into the enclosure via one of the cable entries at the top left corner of the back box (Refer to Figure 3 below).

Figure 3: Wiring the mains power supply



Panel	Input Voltage	Input Frequency	PSU Cage Size	Max Input Current	Max Surge current	Fuse Installed
VL-MMP/6	120V AC 240V AC	60 Hz 50 Hz	240W	2.2Amax@120Vac & Full-Load, 1.1Amax@220Vac & Full-Load	65A peak, 1.2ms duration, <0.25A2s@230Vac, Cold Start	5A
VL-MMP/10	120V AC 240V AC	60 Hz 50 Hz	240W	2.2Amax@120Vac & Full-Load, 1.1Amax@220Vac & Full-Load	65A peak, 1.2ms duration, <0.25A2s@230Vac, Cold Start	5A
VL-MMP/26	120V AC 240V AC	60 Hz 50 Hz	400W	3.6Amax@120Vac & Full-Load, 2.0Amax@220Vac & Full-Load	65A peak, 1.2ms duration, <0.25A2s@230Vac, Cold Start	5A

## Battery Wiring

The Velocity MMP panel uses two 12 Volt batteries, wired in series to give a 24 Volt back-up supply.

The **+ve** of one battery is connected to the **red** battery lead.

The **-ve** of the other battery is connected to the **black** battery lead.

The **-ve** of the first battery is connected to the **+ve** of the second battery using the link wire supplied.

Recommended Battery Types:

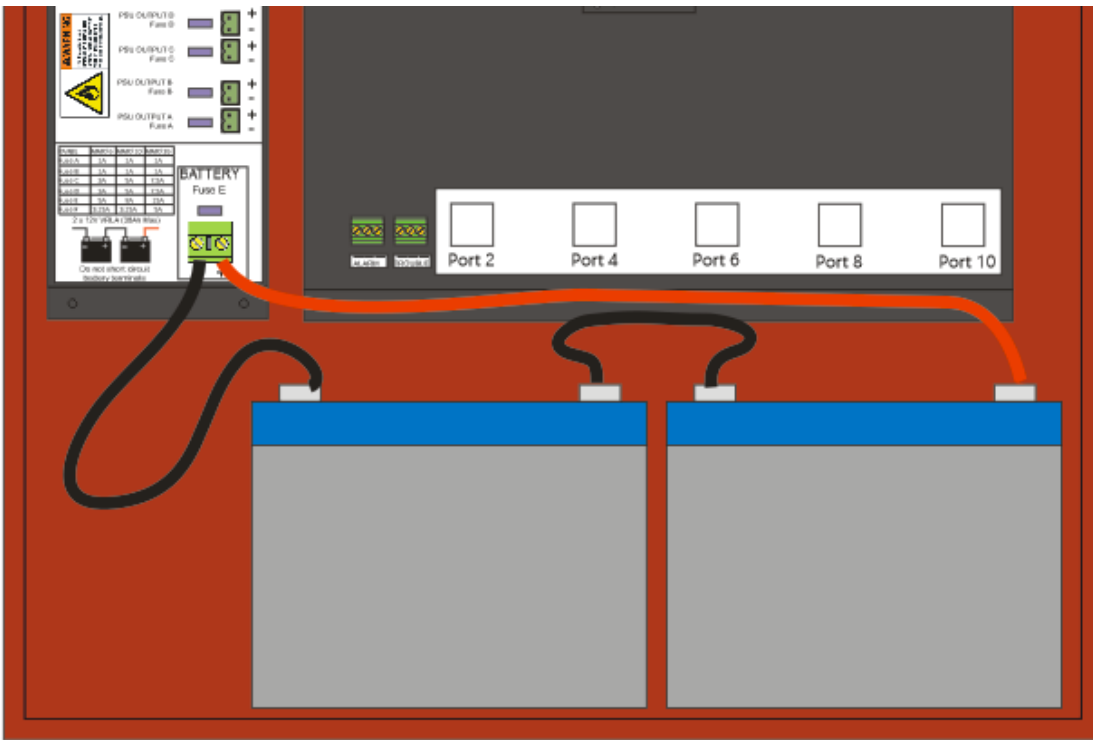
Panel	Recommended Battery size
VL-MMP/6	2 x Powersonic 12V,12Ah
VL-MMP/10	2 x Powersonic 12V,38Ah
VL-MMP/26	2 x Powersonic 12V,65Ah

To calculate the required backup battery capacity, use the information in Appendix B

Other makes and sizes of battery may be suitable. Calculate the standby requirements to determine the most suitable size of batteries.



Figure 4: Battery location and connection



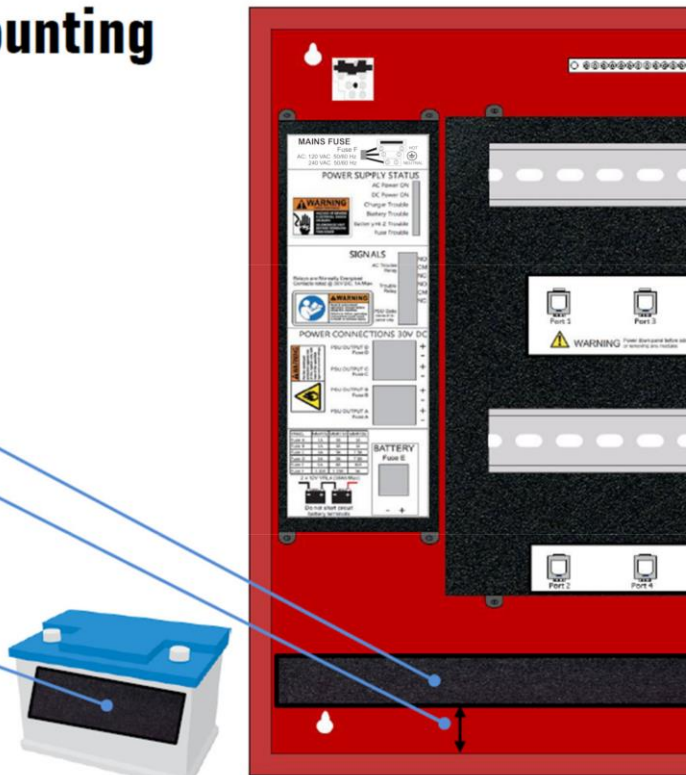
Panel	Charger Boost Voltage	Charger Float Voltage	PSU Cage Size	Max Charger Current	Max Battery Size	Fuse Installed
VL-MMP/6	29.5V DC	27.6V DC	240W	1.56A	2 x 12V, 12 Ah	5A
VL-MMP/10	29.5V DC	27.6V DC	240W	2.3A	2 x 12V, 38 Ah	8A
VL-MMP/26	29.5V DC	27.6V DC	400W	2.3A	2 x 12V, 65 Ah	15A

### Securing the batteries

The MMP panel has been designed so that the batteries are supplementary secured in the panel with Velcro strips.

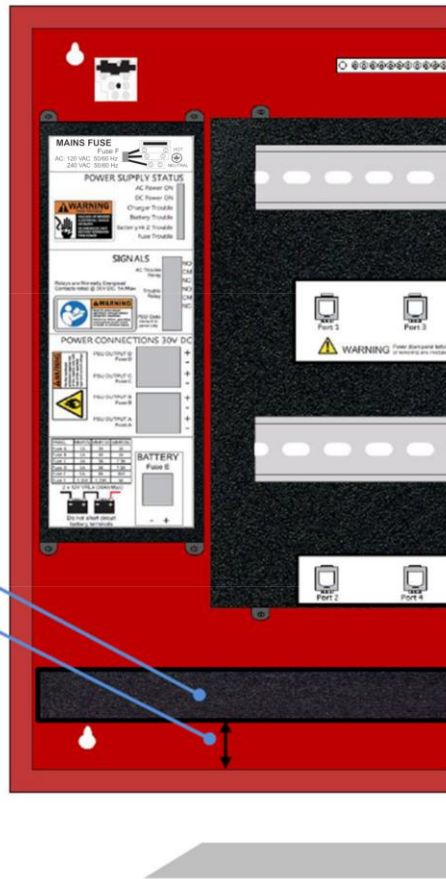
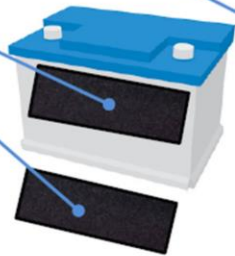
## MMP6 Battery Mounting

- Velcro:
  - Type: Heavy duty
  - (W) 50mm
- Velcro PANEL attachment
  - (L) 330mm
  - (H) 45mm
- Velcro BATTERY attachment
  - Battery: 7 - 14Ah
  - (L) 140mm



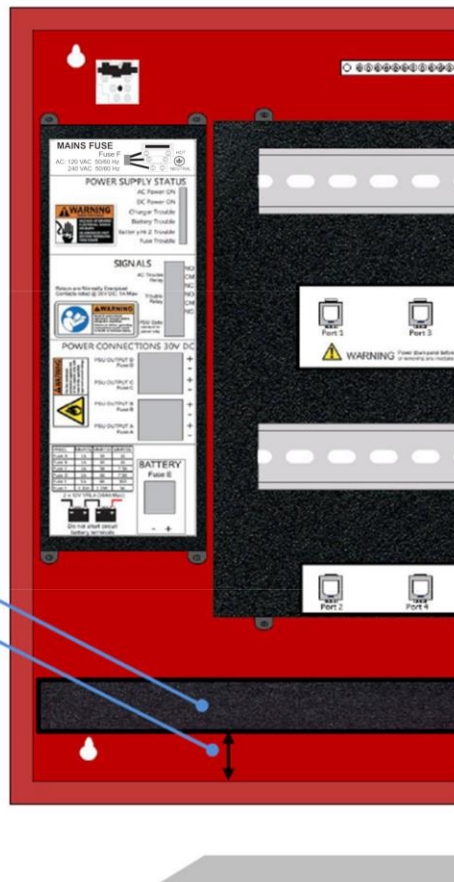
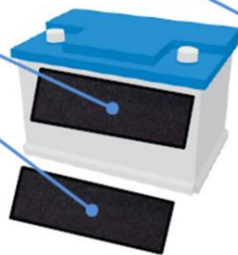
# MMP10 Battery Mounting

- Velcro:
  - Type: Heavy duty
  - (W) 50mm
- Velcro PANEL attachment
  - (L) 480mm
  - (H) 45mm
- Velcro BATTERY attachment
  - Battery: max 38Ah
  - (L) back: 180mm
  - (L) bottom: 110mm



# MMP26 Battery Mounting

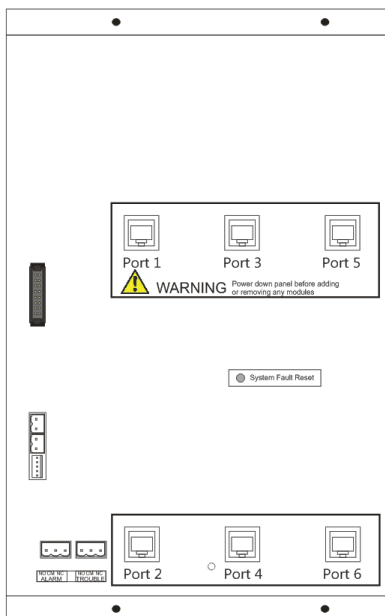
- Velcro:
  - Type: Heavy duty
  - (W) 50mm
- Velcro PANEL attachment
  - (L) 900mm
  - (H) 45mm
- Velcro BATTERY attachment
  - Battery: max. 65 AH
  - (L) back: 280mm
  - (L) bottom: 200mm



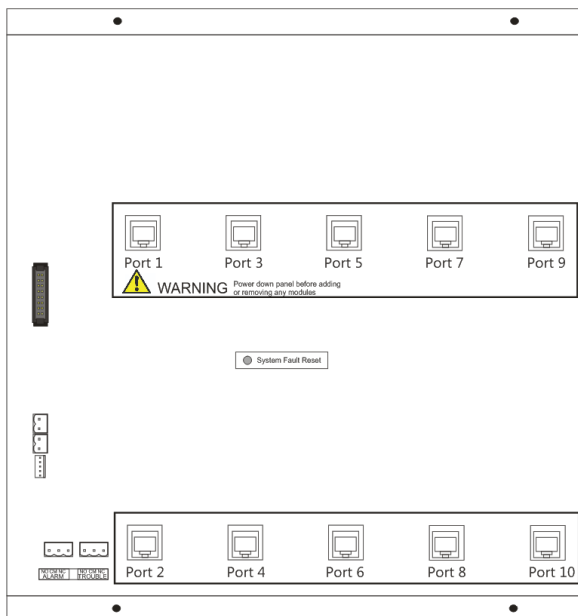
# Assembling the MMP panel

The Velocity MMP is a modular panel, designed to be flexible to install. It will normally be supplied as the base panel with a number of expansion modules packed separately. The Modules are Din Rail Mounted, and connect to the panel's motherboard with a small RJ45 cable (supplied with the module). The Base panel is available in 3 sizes:

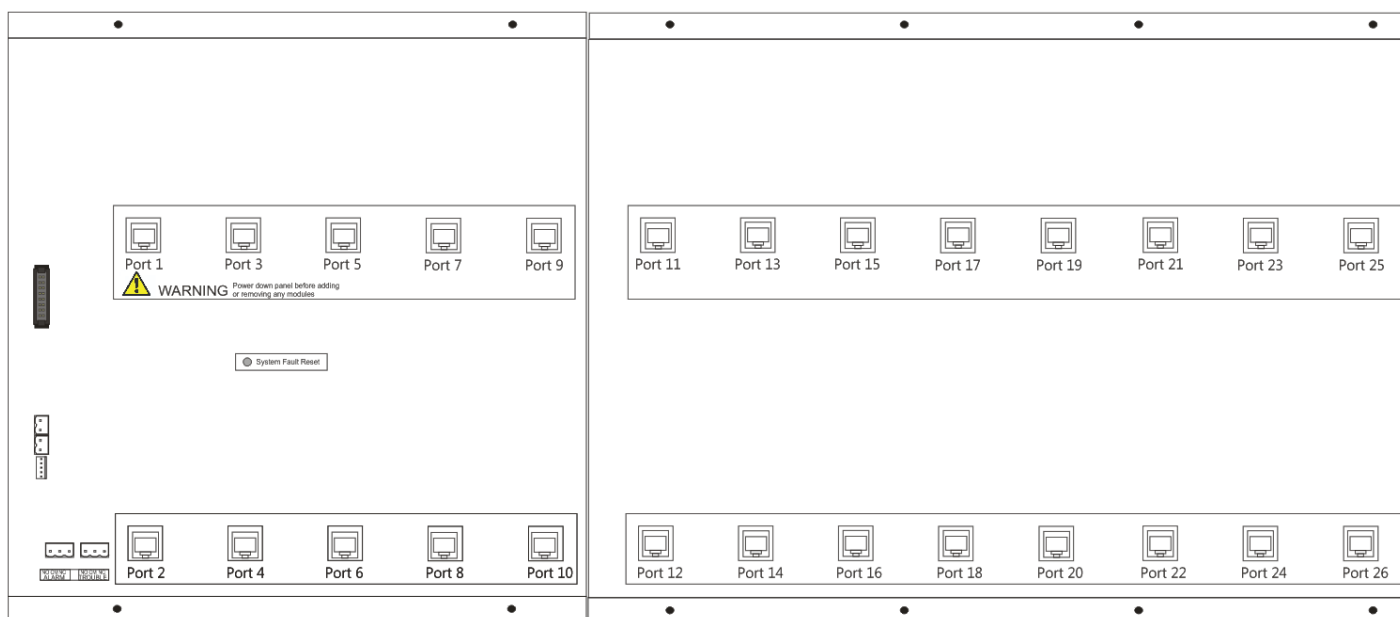
## MMP6



## MMP10



## MMP26



The above diagrams show the port addresses for each panel size

A typical panel set up would include:-

At least one module for initiating devices (Either a conventional zone module, VL-ZMA or VL-ZMB, or an addressable loop (VL-SLC signalling line circuit module)

At least one Notification Appliance module (VL-NCA or VL-NCB)

## Initial Power Up

It is recommended to initially power up the panel with no modules connected to confirm that the base panel is functioning as expected. To do this:-

1. Check that the AC cable is connected correctly and the proper grounding has been made.
2. Close the panel door
3. Turn on the mains power. The following will be observed:-
  - a. Power, Trouble and CPU trouble LEDs will light for around 6 seconds
  - b. Trouble and CPU trouble LEDs will turn off. Power LED will blink a few times
  - c. LCD will show touch for calibration. Press the screen within 3 seconds to perform a screen calibration. (The screen is calibrated at the factory, so this step is not usually required)
  - d. The LCD shows the velocity logo for a few seconds, while it checks to see what modules are fitted. (Note: the usual "System Healthy" banner is not shown during the module check.)
  - e. If the panel finds no modules, it displays "no modules" on its LCD



No Modules

- f. The panel has passed its power on test. It can now be turned off and the modules can be fitted.

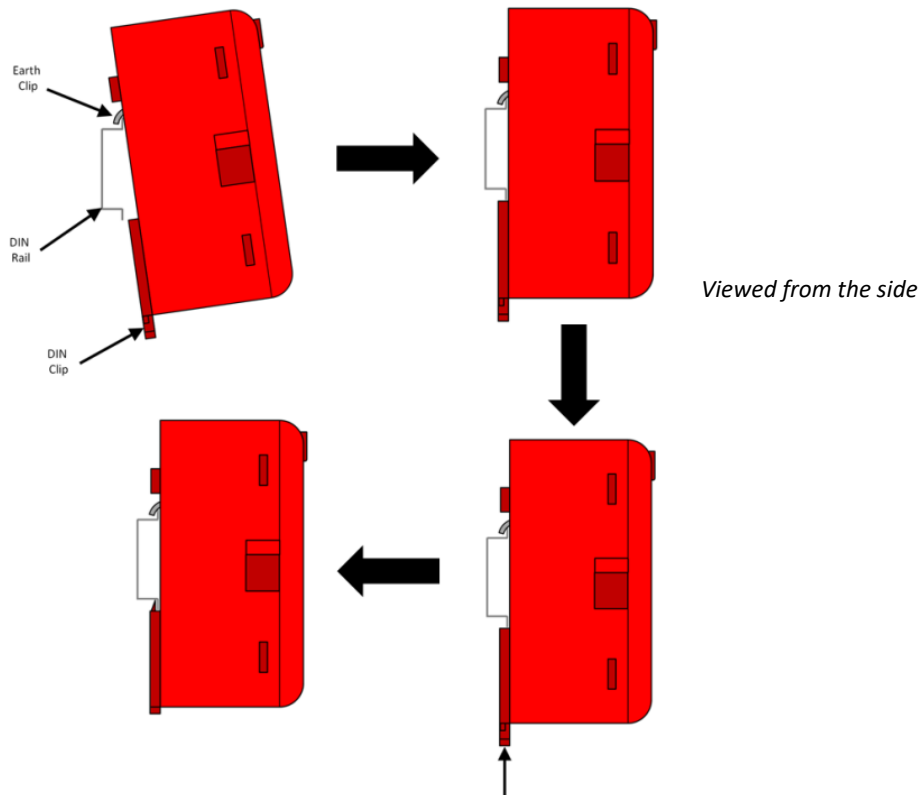
## Module Installation

The MMP panel uses the expansion port number to reference modules. It is recommended that any SLC modules are fitted first to the first expansion ports, so that the loop circuit numbers follow a logical sequence (loop 1 in port 1, loop 2 in port 2 etc.)

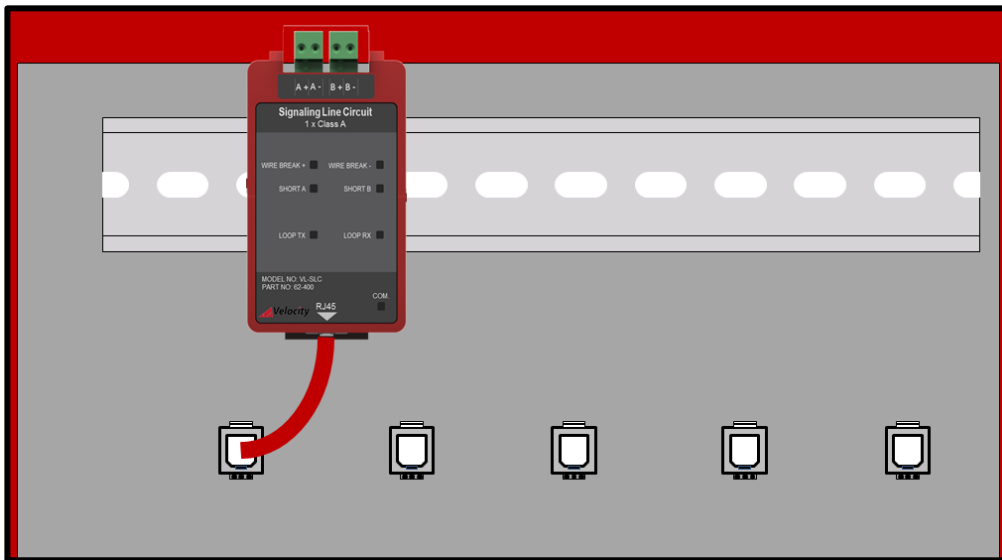


**ATTENTION:** THE PANEL MUST BE POWERED DOWN, AND DISCONNECTED FROM THE BATTERIES BEFORE INSTALLING OR REMOVING ANY MODULES.

1. Ensure that the installation area is free from any cables or wires that may get caught, and that there is enough space on the DIN rail to mount the module.
2. Place the module onto the DIN rail, hooking the metal earth clip underneath onto the rail first.
3. Once the earth clip is hooked, push the bottom of the module onto the rail so that the module sits flat.
4. Push the plastic DIN clip (located at the bottom of the module) upwards to lock and secure the module into position.



5. Once the module is secured to the DIN rail, simply connect the supplied CAT5E cable to the module's RJ45 port.
6. Connect the other end of CAT5E cable to the nearest unoccupied RJ45 port on the termination PCB.



### TRM RJ45 Port Address Designation

Each RJ45 port on the Velocity termination has its own unique port address. This port address is important to keep note of as it is displayed on Alarm/Trouble messages and is used when configuring or setting up cause and effects on the panel (See operation manual GLT-261-7-2).

### Securing the modules

The modules are designed to clip together to make them more secure. In addition, the MMP panel is supplied with DIN rail end stoppers. These should be fitted before the first module, and after the last module on each rail.




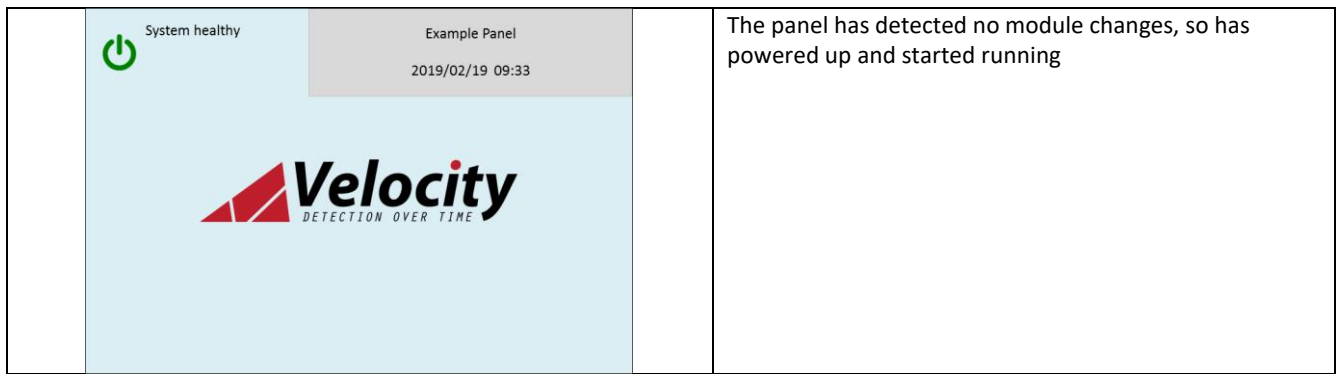
### Before Powering the Panel On

1. To prevent the risk of a spark, do not connect the batteries. Only connect the batteries after powering on the system from its main AC supply.
2. Check that all external field wiring is clear from any open, shorts and ground faults.
3. Check that all the modules have been installed properly, with correct connections and placement
4. Check that all switches and jumper links are at their correct settings.
5. Check that all interconnection cables are plugged in properly, and that they are secure.
6. Check that the AC power wiring is correct.
7. Ensure that the panel chassis has been correctly earth grounded (See NFPA 70).
8. Before powering on from the main AC supply, make sure that the front panel door is closed.

## Power on Procedure

1. After the above has been completed, turn the panel on (Via AC Only). The panel will follow the same power up sequence described in initial power up section above
2. The panel will now display one of the following messages

Message	Meaning										
 <p style="text-align: center;"><b>No Modules</b></p>	<p>The Panel has not detected any modules fitted during its power up check.</p> <p>Power down the panel and check that the expected modules are fitted, and that all module cables are correctly inserted.</p> <p>Note that the panel will need at least one module fitted to run.</p>										
<table border="1" style="width: 100%; border-collapse: collapse;"> <tr> <td style="width: 10%;">001</td> <td style="background-color: #00FF00;">New module : SOUNDER CLASS A</td> </tr> <tr> <td>002</td> <td>Empty port</td> </tr> <tr> <td>003</td> <td>Empty port</td> </tr> <tr> <td>004</td> <td>Empty port</td> </tr> <tr> <td>005</td> <td>Empty port</td> </tr> </table> <div style="display: flex; justify-content: space-around; margin-top: 5px;"> <span>✓</span> <span>▽</span> <span>▲</span> </div>	001	New module : SOUNDER CLASS A	002	Empty port	003	Empty port	004	Empty port	005	Empty port	<p>The panel has detected a new module added to a port that was previously empty.</p> <p>This is the usual message seen the first time a panel is configured</p>
001	New module : SOUNDER CLASS A										
002	Empty port										
003	Empty port										
004	Empty port										
005	Empty port										
<table border="1" style="width: 100%; border-collapse: collapse;"> <tr> <td style="width: 10%;">001</td> <td style="background-color: #FFFF00;">Changed module : SOUNDER CLASS A</td> </tr> <tr> <td>002</td> <td>Empty port</td> </tr> <tr> <td>003</td> <td>Empty port</td> </tr> <tr> <td>004</td> <td>Empty port</td> </tr> <tr> <td>005</td> <td>Empty port</td> </tr> </table> <div style="display: flex; justify-content: space-around; margin-top: 5px;"> <span>✓</span> <span>▽</span> <span>▲</span> </div>	001	Changed module : SOUNDER CLASS A	002	Empty port	003	Empty port	004	Empty port	005	Empty port	<p>The panel has detected a different type of module fitted to a port that was previously occupied.</p>
001	Changed module : SOUNDER CLASS A										
002	Empty port										
003	Empty port										
004	Empty port										
005	Empty port										
<table border="1" style="width: 100%; border-collapse: collapse;"> <tr> <td style="width: 10%;">001</td> <td style="background-color: #FFFF00;">Serial Number Changed : LOOP</td> </tr> <tr> <td>002</td> <td>Empty port</td> </tr> <tr> <td>003</td> <td>Empty port</td> </tr> <tr> <td>004</td> <td>Empty port</td> </tr> <tr> <td>005</td> <td>Empty port</td> </tr> </table> <div style="display: flex; justify-content: space-around; margin-top: 5px;"> <span>✓</span> <span>▽</span> <span>▲</span> </div>	001	Serial Number Changed : LOOP	002	Empty port	003	Empty port	004	Empty port	005	Empty port	<p>The panel has detected a module fitted to a port that is the same type, but it's serial number has changed.</p> <p>This could happen if a loop module was swapped with another loop module, for example.</p>
001	Serial Number Changed : LOOP										
002	Empty port										
003	Empty port										
004	Empty port										
005	Empty port										
<table border="1" style="width: 100%; border-collapse: collapse;"> <tr> <td style="width: 10%;">001</td> <td style="background-color: #FFFF00;">Removed Module : LOOP</td> </tr> <tr> <td>002</td> <td>Empty port</td> </tr> <tr> <td>003</td> <td>Empty port</td> </tr> <tr> <td>004</td> <td>Empty port</td> </tr> <tr> <td>005</td> <td>Empty port</td> </tr> </table> <div style="display: flex; justify-content: space-around; margin-top: 5px;"> <span>✓</span> <span>▽</span> <span>▲</span> </div>	001	Removed Module : LOOP	002	Empty port	003	Empty port	004	Empty port	005	Empty port	<p>The panel has detected no module fitted to a port that was previously occupied.</p>
001	Removed Module : LOOP										
002	Empty port										
003	Empty port										
004	Empty port										
005	Empty port										



1. Check that the module configuration is as expected using the ▲ and ▼ to navigate the through the port numbers. Press the ✓ icon to confirm the changes.
2. The new module is now configured into the panel and is ready for use.
3. Since the batteries are not connected, the panel will report them as removed, lighting the yellow “Trouble” LED, intermittently sounding the trouble buzzer, and displaying battery removed message on the screen.
4. Connect the batteries, ensuring that the polarity is correct (Red wire = +ve) & (Black wire = -ve). Acknowledge the trouble event via the display screen, and reset the panel to clear the battery fault.
5. The panel should now remain in the normal condition, and you can configure the panel as normal.

## Field Wiring

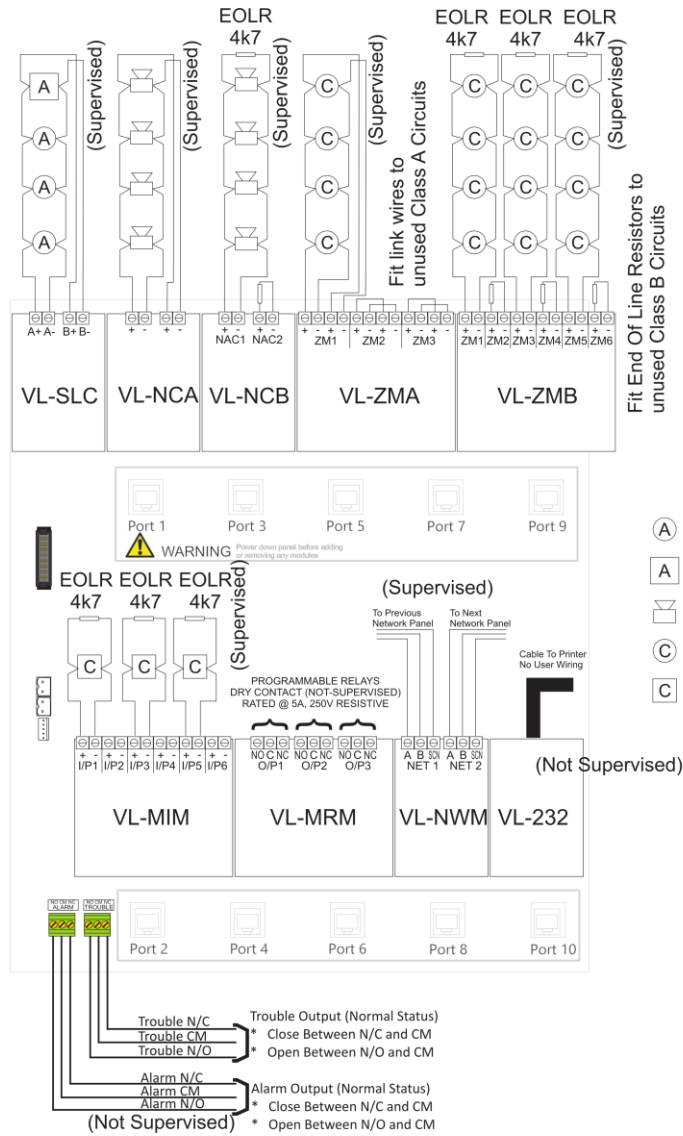
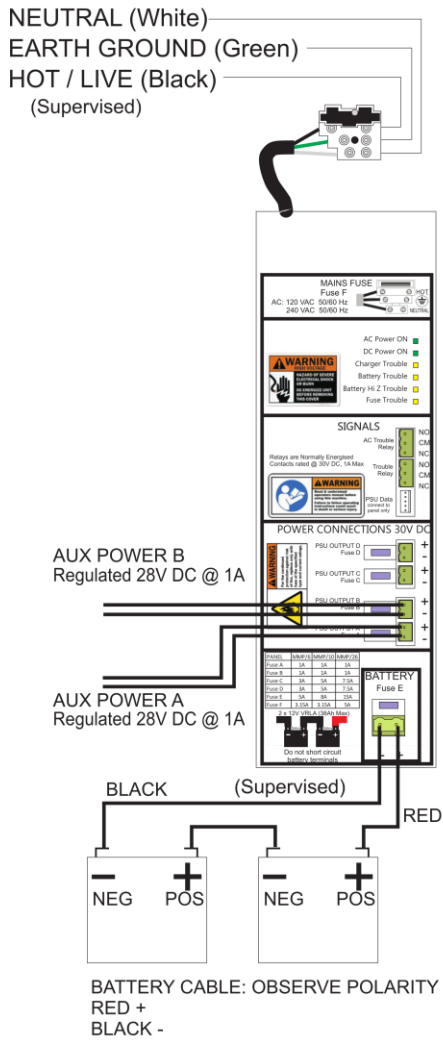


**NOTE:** The terminal blocks are pluggable to make wiring easier.



**ATTENTION:** DO NOT EXCEED POWER SUPPLY RATINGS, OR MAXIMUM CURRENT RATINGS.

# Wiring Overview

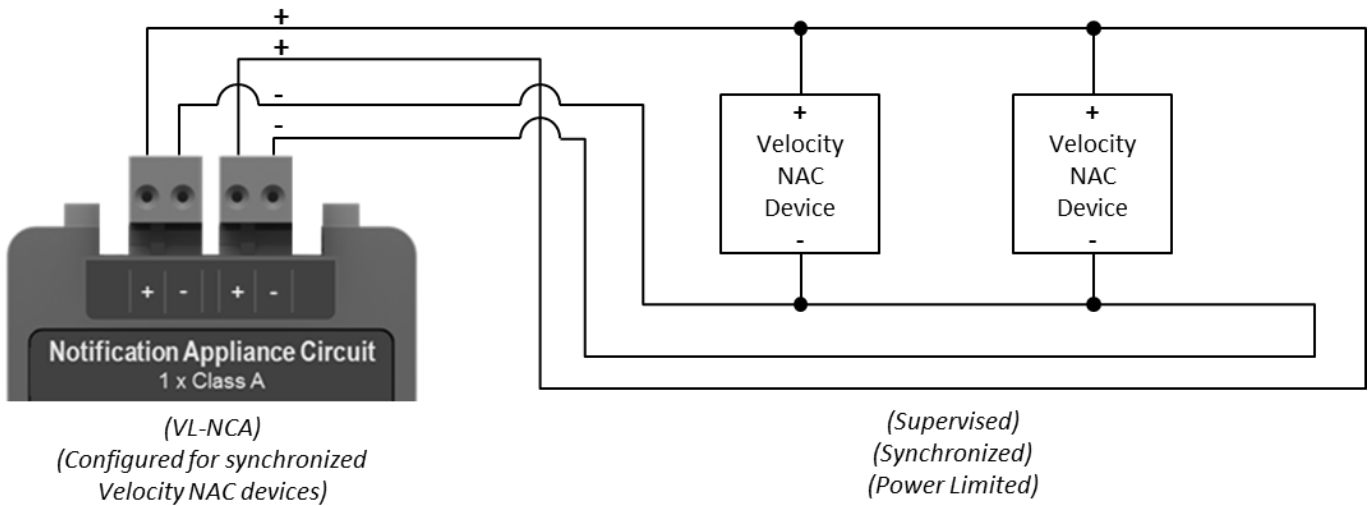


NOTE: The MMP panel is a modular system, where any module can be connected to any expansion port. The above diagram gives an example configuration for illustrative purposes.

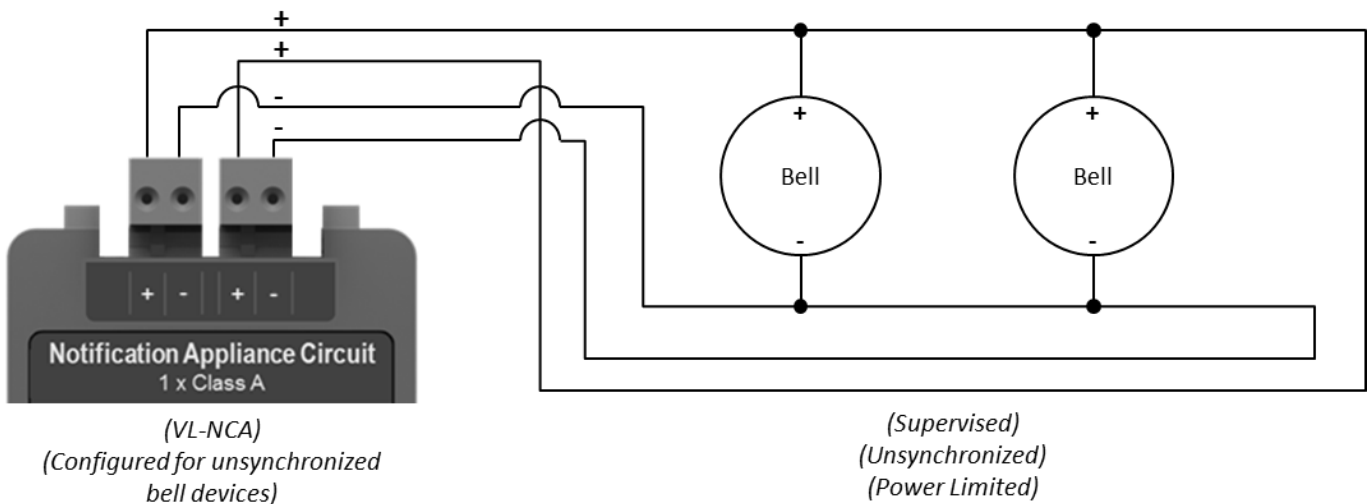


## VL-NCA Field Wiring Connections

### Typical Wiring Diagram (Class A) - Synchronized Velocity NAC Devices

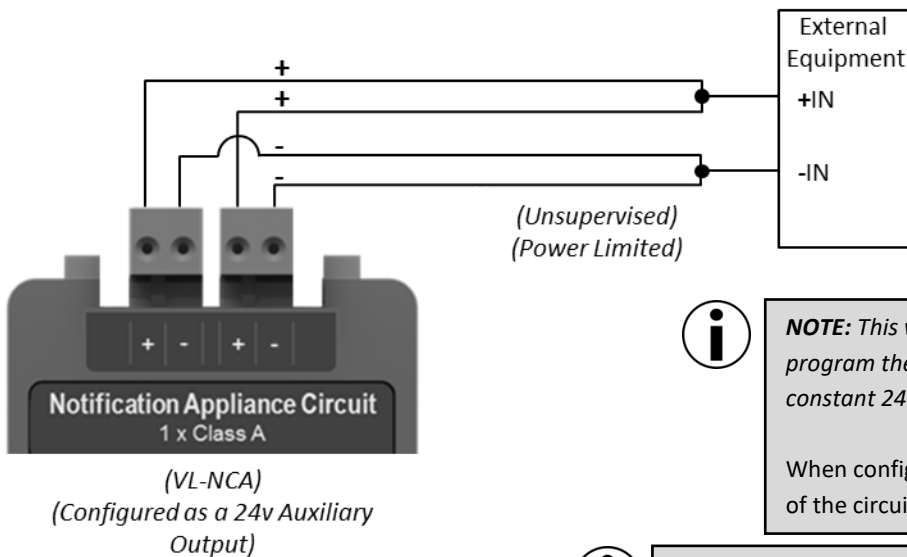


### Typical Wiring Diagram (Class A) - Unsynchronized Bell Devices



**NOTE:** When an NAC is configured as a bell output, the "24V On" LED on the front of the module will be flashing ON/OFF.

### Typical Wiring Diagram (Auxiliary 24VDC)



**NOTE:** This wiring diagram demonstrates the option to program the VL-NCA output to become a regulated constant 24VDC output.

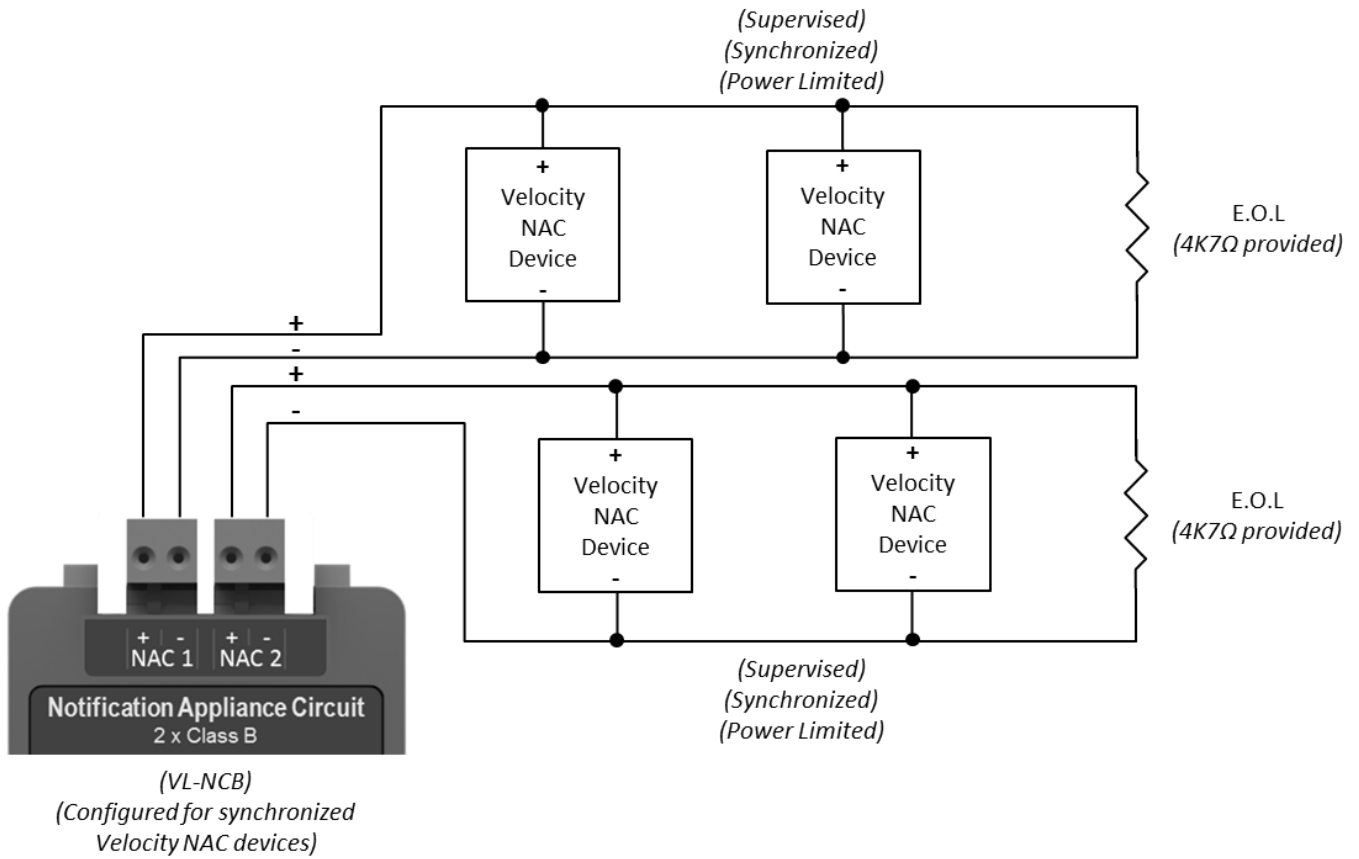
When configured as an Auxiliary output, the 24V rating of the circuit will be 800mA



**NOTE:** When an NAC is configured as a 24v aux output, the "24V On" LED on the front of the module will be ON.

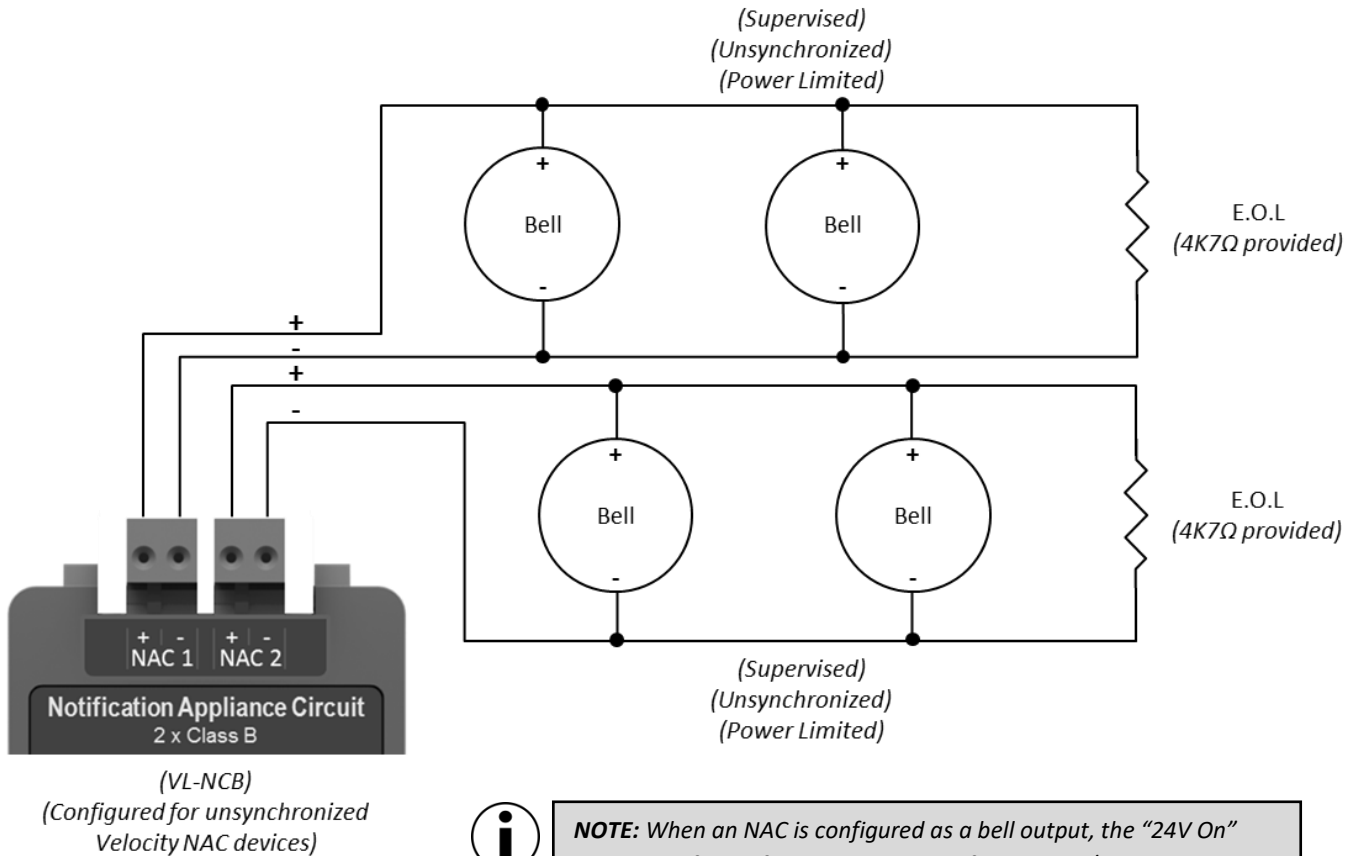
## VL-NCB Field Wiring Connections

### Typical Wiring Diagram (Class B) - Synchronized Velocity NAC Devices

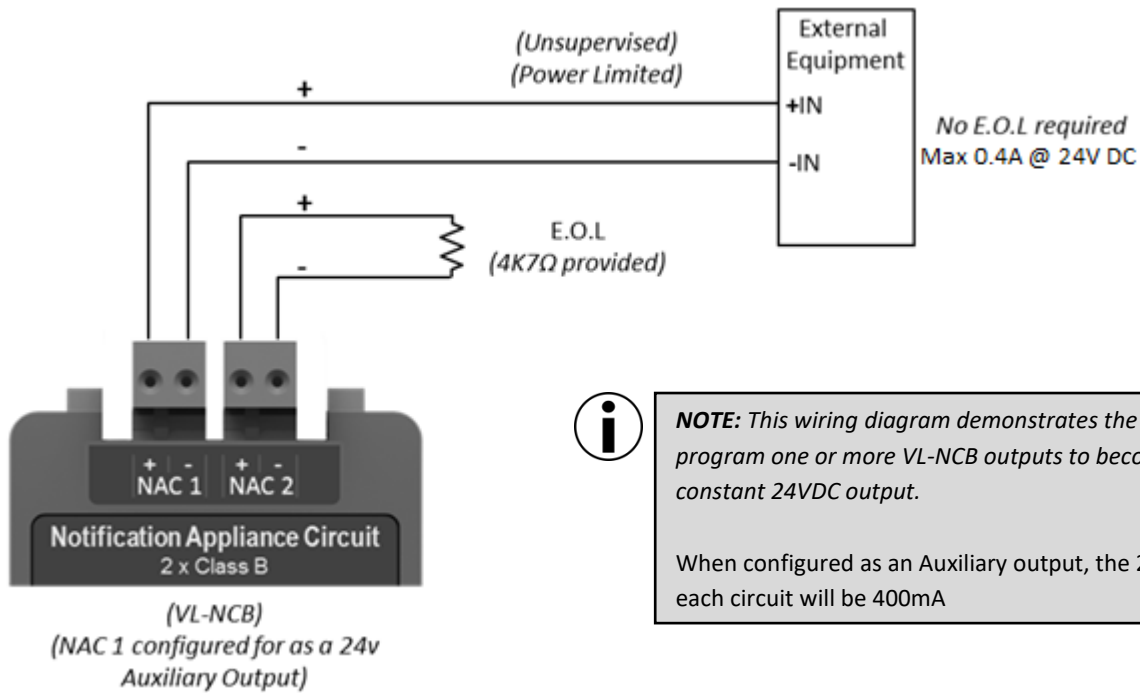


The VL-NCB Notification Appliance Circuit Module uses VL-EOL/4k7 End of line Resistor for Velocity Modules (4.7kΩ)

### Typical Wiring Diagram (Class B) - Unsynchronized Bell Devices



Typical Wiring Diagram (Auxiliary 24VDC)



**NOTE:** This wiring diagram demonstrates the option to program one or more VL-NCB outputs to become a regulated constant 24VDC output.

When configured as an Auxiliary output, the 24V rating of each circuit will be 400mA

**NOTE:** When an NAC is configured as a 24v aux output, the “24V On” LED on the front of the module will be ON.

**Wiring recommendations for Notification Appliance Circuits (VL-NCA & VL-NCB)**

The VL-NCA circuit is rated for 1A each. The VL-NCB circuits are rated for 500mA each. The table shows the maximum wire run in metres for different wire gauges and alarm loads.

Wire Gauge	125mA Load	250mA Load	500mA Load	1000mA Load
18 AWG	765 m	510 m	340 m	227 m
16 AWG	1530 m	1020 m	680 m	340 m
14 AWG	1869 m	1246 m	831 m	554 m

**RECOMMENDED CABLE:**  
Cable should be UL listed FPL, FPLR, FPLP or equivalent.

**VL-NCA & VL-NCB Specifications**

Notification Appliance Circuit Modules (VL-NCA)	
Circuit Voltage	29VDC Nominal (19V – 29V)
Circuit Type	Special Application 24V DC with Sync pulse. Power limited & Supervised. Regulated: UL 864 Regulated NAC application 0.1 A
Ground fault Monitoring	10kΩ – See Appendix E.
Maximum NAC Current	1A
Maximum Aux 24V Current	800mA
Maximum RMS current for a single notification appliance	700mA
Maximum Line Impedance	1.8Ω total (0.9 Ω per core)
Wiring Class	1 x Class A (VL-NCA) [Power limited & Supervised]
End of Line Resistor	N/A
Recommended cable sizes	18 AWG to 14 AWG (0.8mm <sup>2</sup> to 2.5mm <sup>2</sup> )
Synchronisation	Selectable at each module as :- Sounder (Uses synchronisation protocol for horn strobes) or Bell (Will pulse the output voltage to give the required temporal pattern)
Special Applications	24V auxiliary voltage output

Notification Appliance Circuit Modules ( VL-NCB)	
Circuit Voltage	29VDC Nominal (19V – 29V)
Circuit Type	Special Application 24V DC with Sync Pulse. Power limited & Supervised. Regulated: UL 864 Regulated NAC application 2 x 0.05 A
Ground fault Monitoring	10k $\Omega$ – See Appendix E.
Maximum NAC Current	2 x 500mA
Maximum Aux 24V Current	2 x 400mA
Maximum RMS current for a single notification appliance	350mA
Maximum Line Impedance	3.6 $\Omega$ total (1.8 $\Omega$ per core)
Wiring Class	2 x Class B (VL-NCB) [Power limited & Supervised]
End of Line Resistor	4K7 $\Omega$
Recommended cable sizes	18 AWG to 14 AWG (0.8mm <sup>2</sup> to 2.5mm <sup>2</sup> )
Synchronisation	Selectable at each module as :- Sounder (Uses synchronisation protocol for horn strobes) or Bell (Will pulse the output voltage to give the required temporal pattern)
Special Applications	24V auxiliary voltage output

## Compatible Notification Devices

NAC Devices	
Velocity Wall Mount Chime (White)	VL-W-C-W
Velocity Wall Mount Chime (Red)	VL-W-C-R
Velocity Wall Mount Multitone (White)	VL-W-M-W
Velocity Wall Mount Multitone (Red)	VL-W-M-R
Velocity Wall Mount Chime/Strobe (White)	VL-W-CS-W
Velocity Wall Mount Chime/Strobe (Red)	VL-W-CS-R
Velocity Wall Mount Multitone/Strobe (White)	VL-W-MS-W
Velocity Wall Mount Multitone/Strobe (Red)	VL-W-MS-R
Velocity Ceiling Mount Chime/Strobe (White)	VL-C-CS-W
Velocity Ceiling Mount Chime/Strobe (Red)	VL-C-CS-R
Velocity Ceiling Mount Multitone/Strobe (White)	VL-C-MS-W
Velocity Ceiling Mount Multitone/Strobe (Red)	VL-C-MS-R
Velocity Mini Horn (White)	VL-MH-W
Velocity Mini Horn (Red)	VL-MH-R
Velocity Wall Mount Strobe (White)	VL-W-S-W
Velocity Wall Mount Strobe (Red)	VL-W-S-R
Velocity Ceiling Mount Strobe (White)	VL-C-S-W
Velocity Ceiling Mount Strobe (Red)	VL-C-S-R
Wall Mount Bell 6"	GB6-24
Wall Mount Bell 10"	GB10-24

## Maximum Notification Devices per Circuit

Some of the above notification devices have selectable settings for horn and strobe output. The table below gives an indication of the number of devices that can be connected to a NAC under different settings.

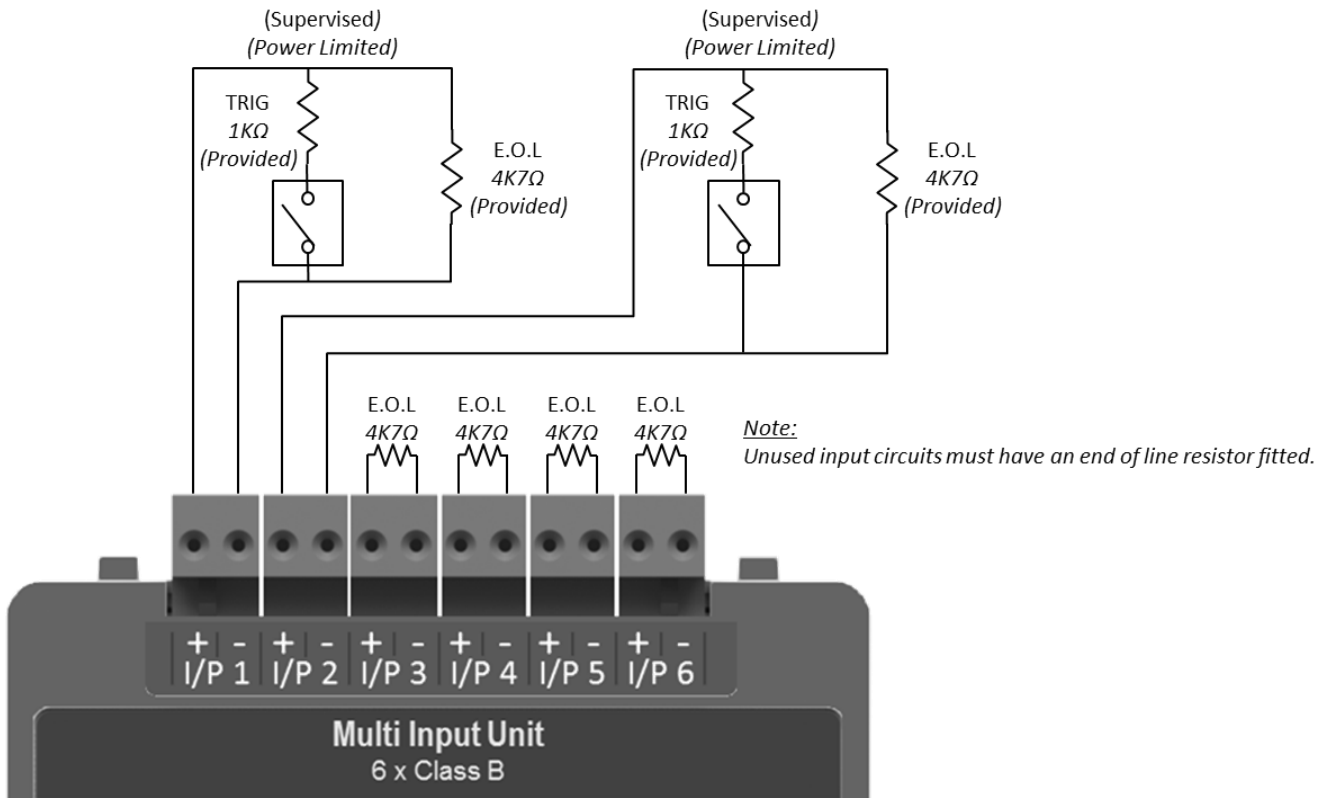
### VL-NCB – Class B

Sound Setting	No Strobe	15 Candela	30 Candela	75 Candela	110 Candela
Chime	9	3	2	1	1
Multitone (low)	9	2	2	1	1
Multitone (High)	9	2	2	1	1
Mini Horn	9	-	-	-	-

### VL-NCB – Class A

Sound Setting	No Strobe	15 Candela	30 Candela	75 Candela	110 Candela
Chime	18	7	5	3	2
Multitone (low)	18	5	4	2	2
Multitone (High)	18	5	4	2	2
Mini Horn	18	-	-	-	-

## VL-MIM Field Wiring Connections



VL-MIM typically used to connect Water flow switch, supervisory switch etc.

The VL-MIM Multi Input Unit Module uses VL-EOL/4k7 End of line Resistor for Velocity Modules (4.7kΩ)

### Wiring Recommendations for Input Circuits (VL-MIM)

Wire Gauge (AWG)	Maximum Wiring Run (Metres)
22	910
20	1450
18	2300



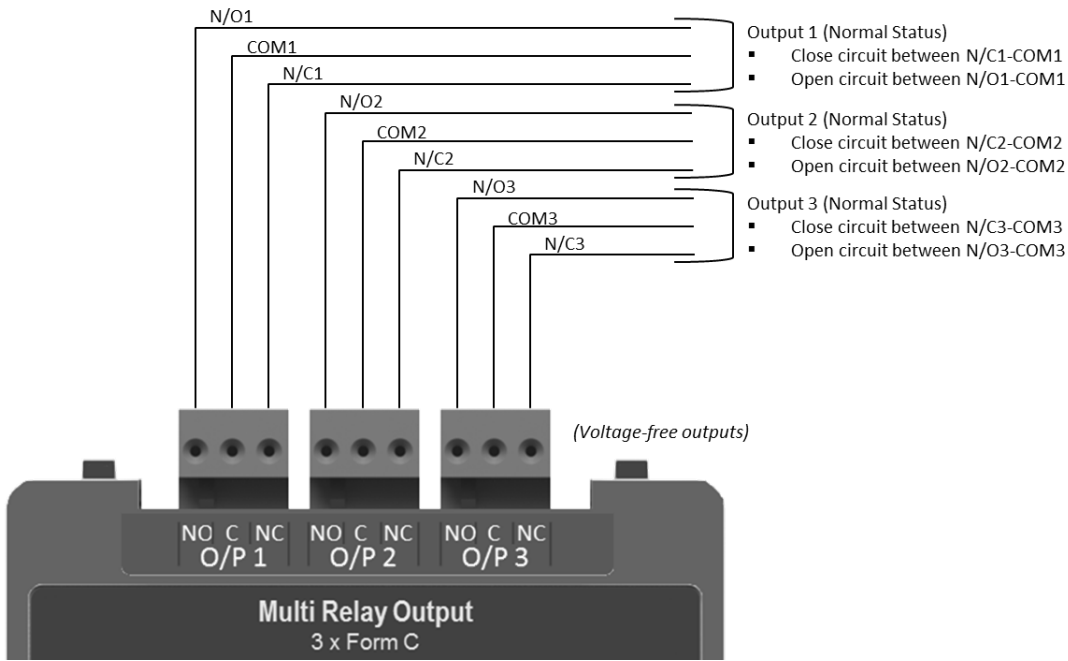
**RECOMMENDED CABLE:**

Cable should be UL listed FPL, FPLR, FPLP or equivalent.

### VL-MIM Specifications

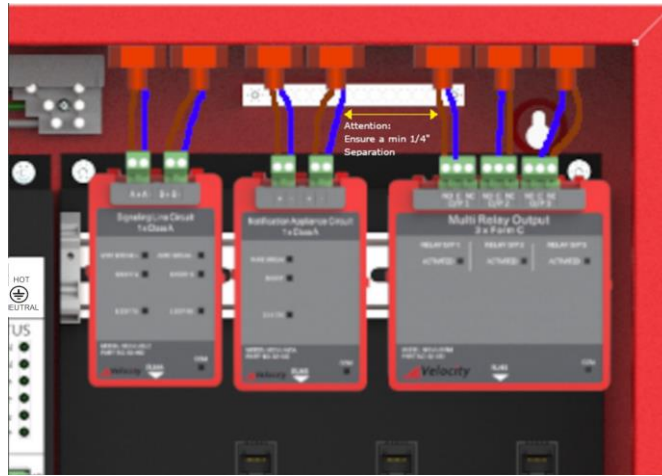
Input Module (VL-MIM)	
Circuit Voltage	24VDC Nominal
Wiring Class	6 x Class B circuits
Ground fault Monitoring	10kΩ – See Appendix E.
Input Maximum Line Impedance	10Ω
End of Line Resistor	4K7Ω
Recommended cable sizes	22 AWG to 18 AWG (0.3mm <sup>2</sup> to 0.8mm <sup>2</sup> )
Alarm Trigger Resistor	1KΩ

## VL-MRM Field Wiring Connections



**NOTE:** When an MRM relay is configured as an alarm output, it will act as a common alarm relay, and cannot be controlled by cause and effect.

NOTE: If a VL-MRM is used to switch non power limited circuits, ensure a minimum 1/4" separation between power limited, and non-power limited circuits



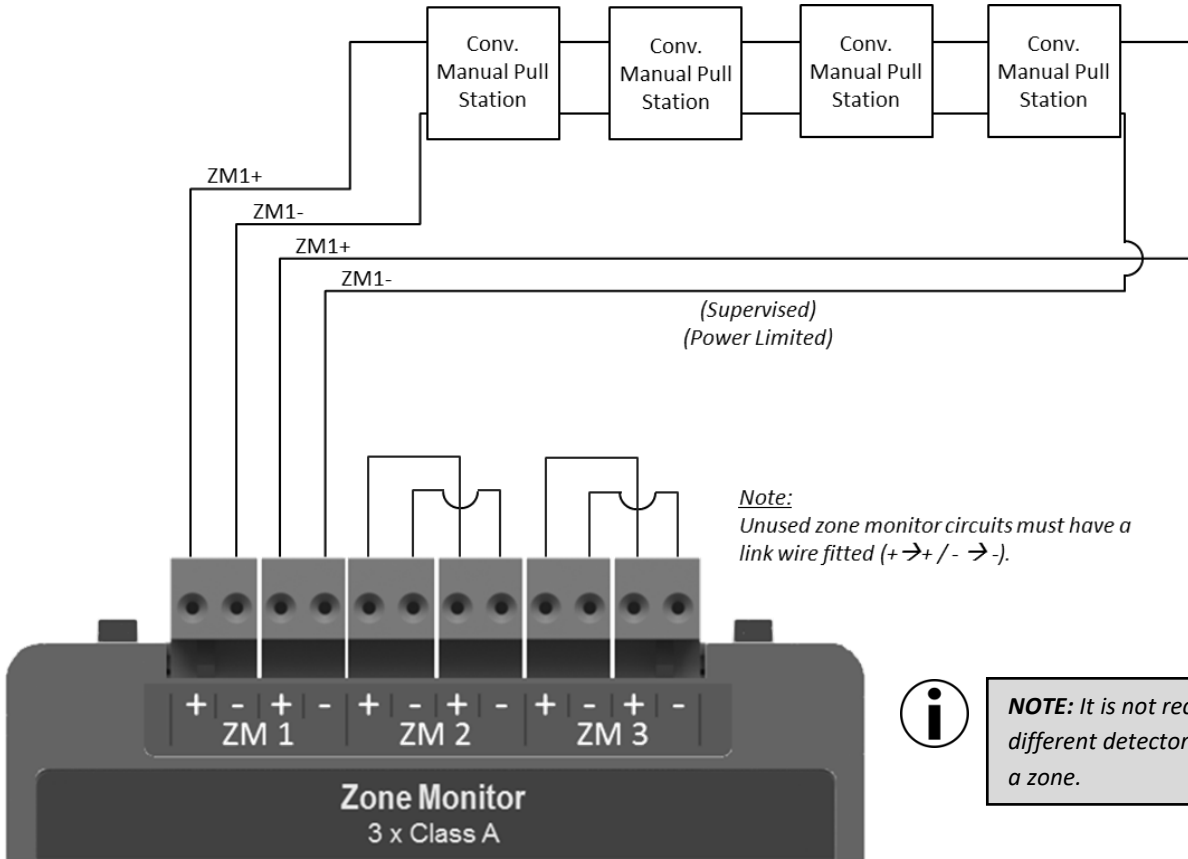
## VL-MRM Specifications

Multi Relay Modules (VL-MRM)	
Contact Form	3 x Form C
Switching Capacity	5 A, 30VDC (resistive) 5 A, 250VAC (resistive)
Circuit Type	Power limited & Not Supervised.
Modes	Common alarm, Common trouble, Common supervisory or Programmable
Recommended cable sizes	18 AWG to 14 AWG (0.8mm <sup>2</sup> to 2.5mm <sup>2</sup> )

The end product connected to the relay shall provide supervision of the wiring.

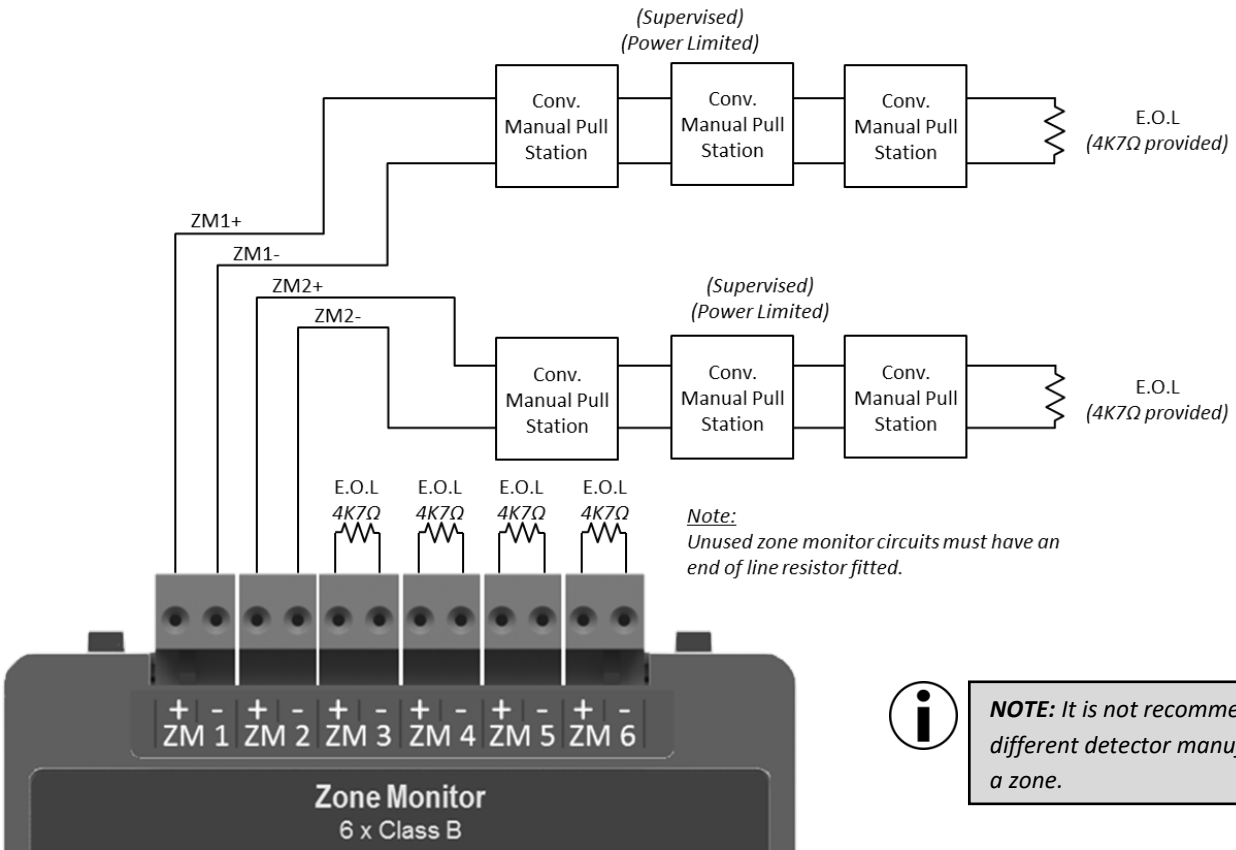
If connected to non-supervised circuit, the relay wiring should be limited to the same room, within 20' (6.1m) of each other and enclosed within conduit or equivalently protected against mechanical damage.

### VL-ZMA Field Wiring Connections



**NOTE:** It is not recommended to mix different detector manufacturers on a zone.

### VL-ZMB Field Wiring Connections



**NOTE:** It is not recommended to mix different detector manufacturers on a zone.

The VL-ZMB Zone Monitor Module, Class B uses VL-EOL/4k7 End of line Resistor for Velocity Modules (4.7kΩ)

## Wiring Recommendations for Initiating Device Circuits (VL-ZMA & VL-ZMB)

Wire Gauge (AWG)	Maximum Wiring Run (Metres)
22	910
20	1450
18	2300



### RECOMMENDED CABLE:

Cable should be UL listed FPL, FPLR, FPLP or equivalent.

While Velocity conventional Zone modules can support cable runs greater than 2000m, it is generally better to plan the system to use more manageable lengths

## VL-ZMA & VL-ZMB Specifications

### Zone Monitor Modules (VL-ZMA)

Circuit Voltage	26VDC Nominal (+10% / -15% )
Circuit Type	Power limited & Supervised
Ground fault Monitoring	10k $\Omega$ – See Appendix E.
Zone Maximum Line Impedance	20 $\Omega$ total (10 $\Omega$ per core)
Zone Maximum Current (under S/C conditions)	56mA
Wiring Class	3 x Class A
Recommended cable sizes	22 AWG to 14 AWG (0.3mm <sup>2</sup> to 2.5mm <sup>2</sup> )
End of Line Resistor	N/A
Alarm Trigger Resistor	1K $\Omega$
Compatible Devices	GR-RS-01-GLT (UL38 listed)
Maximum Detectors Per Zone	20

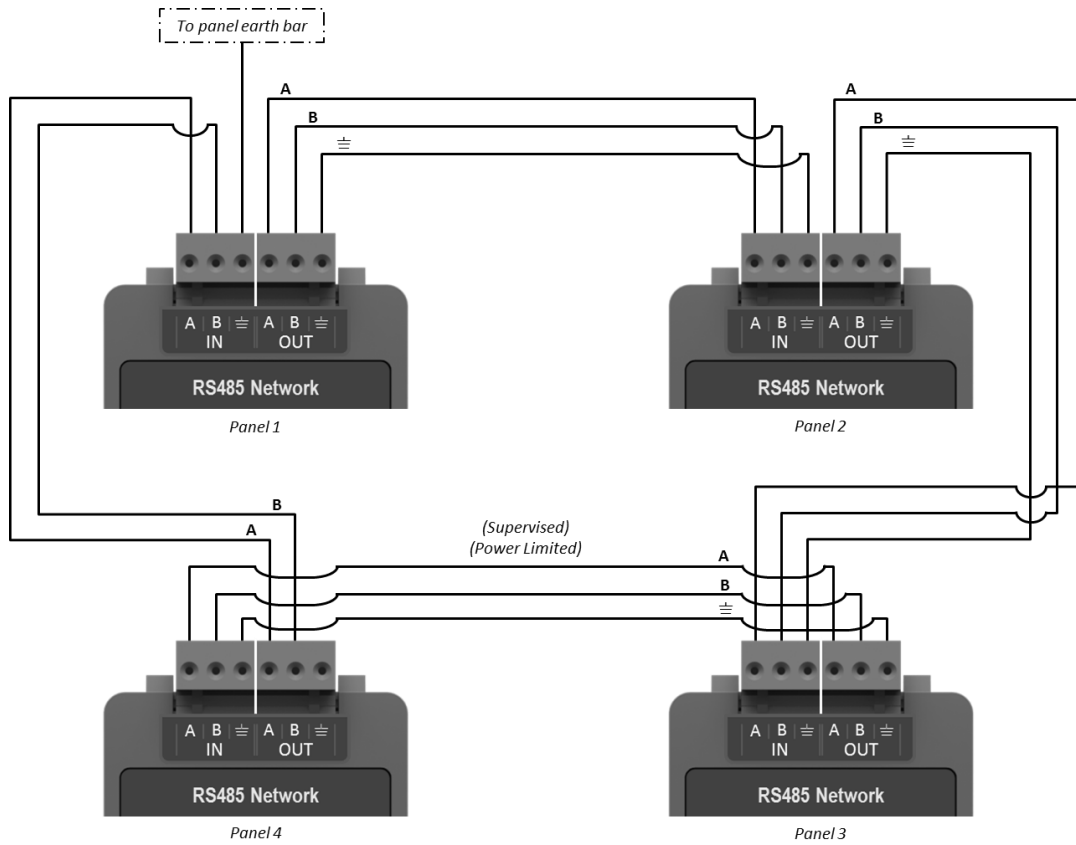
### Zone Monitor Modules (VL-ZMB)

Circuit Voltage	24VDC Nominal with EOL connected (+10% / -15%)
Circuit Type	Power limited & Supervised
Ground fault Monitoring	10k $\Omega$ – See Appendix E.
Zone Maximum Line Impedance	10 $\Omega$ total (5 $\Omega$ per core)
Zone Maximum Current (under S/C conditions)	56mA
Wiring Class	6 x Class B circuits
Recommended cable sizes	22 AWG to 14 AWG (0.3mm <sup>2</sup> to 2.5mm <sup>2</sup> )
End of Line Resistor	4K7 $\Omega$
Alarm Trigger Resistor	1K $\Omega$
Compatible Devices	GR-RS-01-GLT (UL38 listed)
Maximum Detectors Per Zone	20



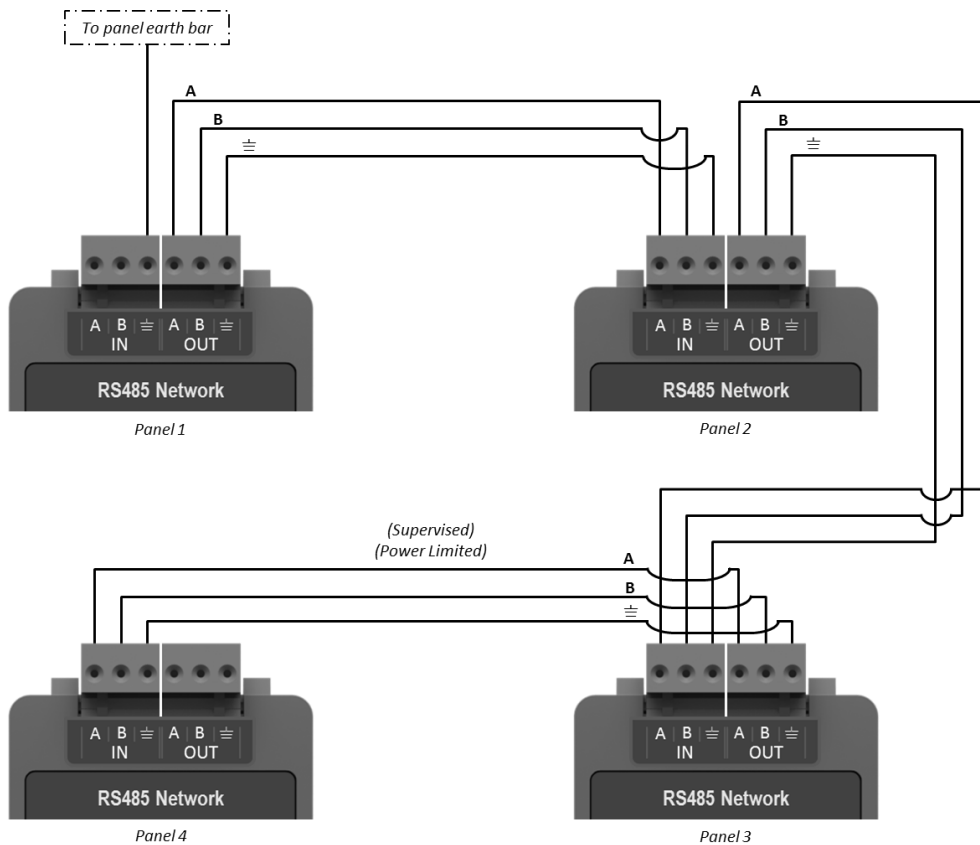
# VL-NWM Field Wiring Connections

## Ring Topology



**NOTE:** It is recommended to install the network in a ring topology for protection against open circuit and short circuit faults.

## Bus Topology



## Wiring Recommendations for Network Wiring (VL-NWM)

The Velocity network can support up to 64 panels.



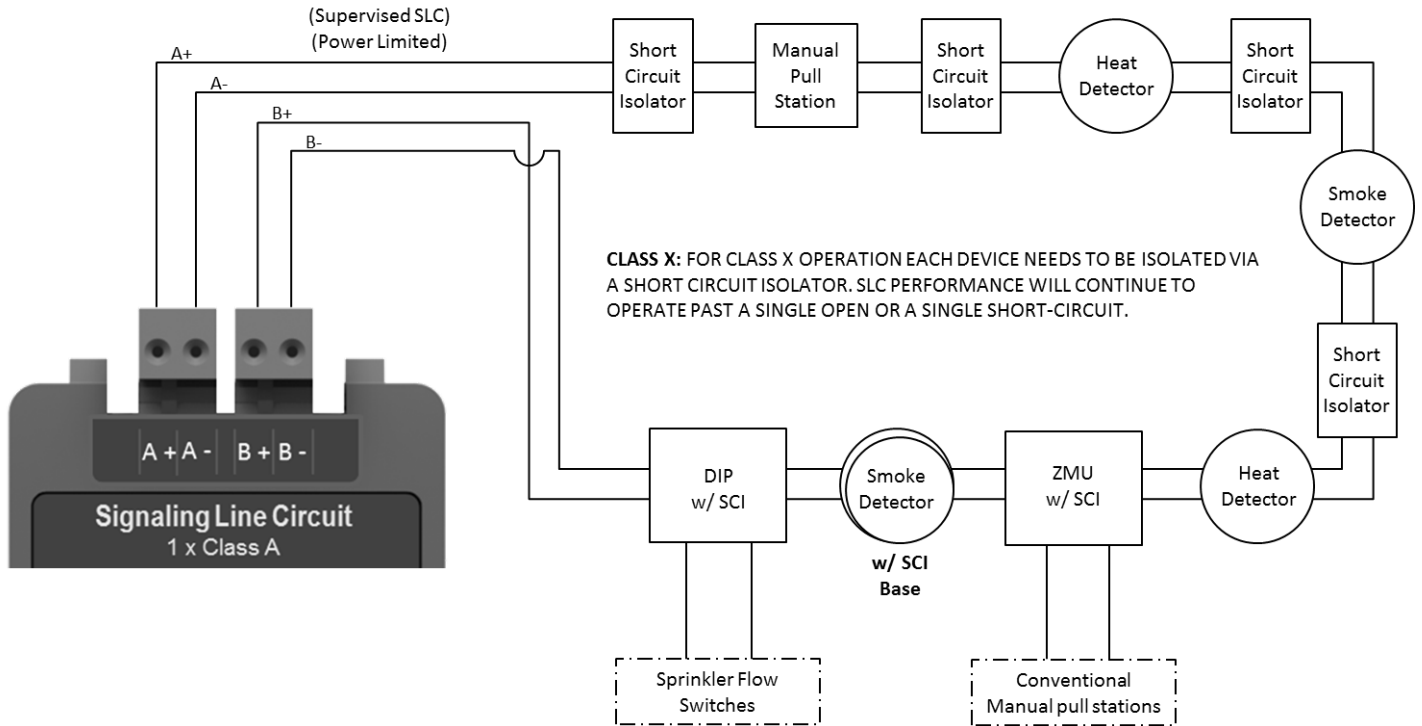
**RECOMMENDED CABLE:** Belden type UL

### VL-NWM Specifications

Network Module (VL-NWM)	
Maximum Network Size	64 Nodes
Maximum Distance Between Nodes	1km (with screened data cable)
Communication Protocol	RS485
Network Wiring Typologies	Bus or Ring
Ground fault Monitoring	10k $\Omega$ – See Appendix E.

## VL-SLC Field Wiring Connections

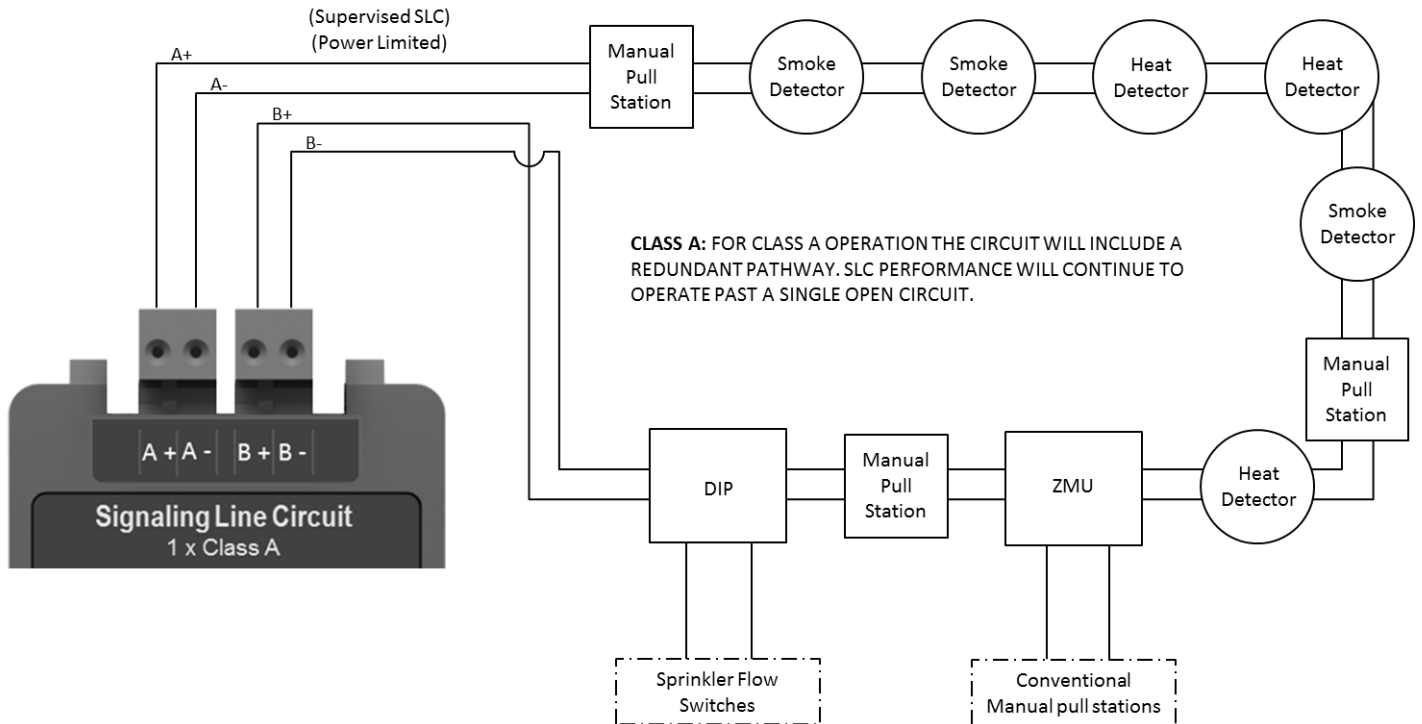
### Class X Wiring



**Note:** Detectors can be fitted to isolator bases, or fitted between isolator modules for Class X wiring. Manual stations should be fitted between isolator modules.

The circuit connections between VL-SLC and the first isolator shall be made within 20 ft. (6.1 m) of each other and are enclosed within conduit or equivalently protected against mechanical damage.

### Class A Wiring



**Note:** If an SLC using Class A wiring is used for 2 or more detection zones, short circuit isolators, or devices with built in short circuit isolators (such as interfaces) should be fitted to the zone boundaries to prevent a single short circuit affecting more than one zone.

## Wiring Recommendations for Signalling Line Circuits (VL-SLC)

The VL-SLC's are rated for 500mA each, but in a typical UL installation , maximum quiescent current will be less than 60mA.

Wire Gauge (AWG)	Maximum Wiring Run (Metres)
18	861
16	1290
14	2000



**NOTE:**

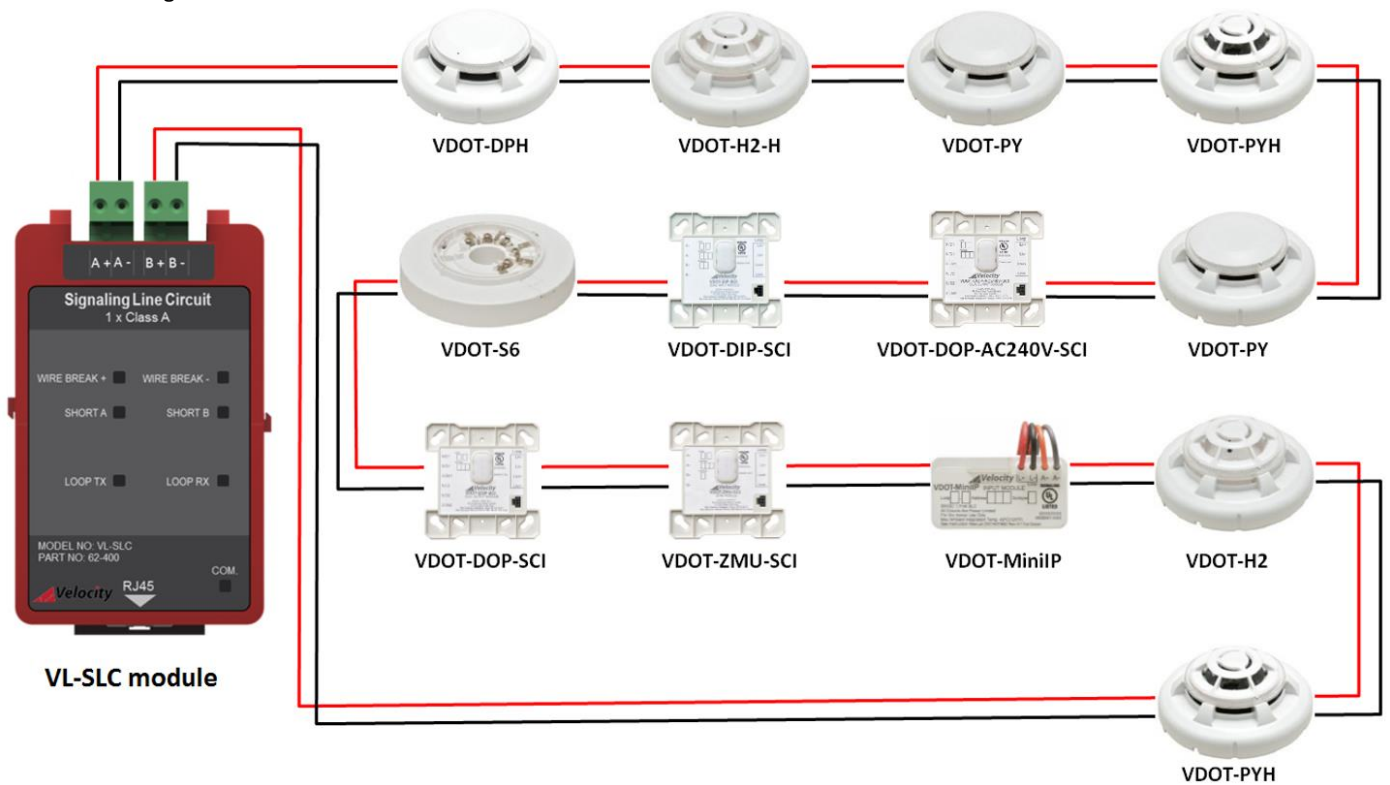
- Line capacitance shall not exceed 0.1µf (100nF)
- Inductance shall not exceed 1mH
- Resistance shall not exceed 50 Ohms.



**RECOMMENDED CABLE:** Twisted pair cable. Shield of cable should be terminated to the earth bar in the panel.

## SLC Device Wiring and Device Information

SLC device configuration for addressable devices



### VDOT-DPH



**VDOT-DPH** - An attractively-styled, low profile combined dual optic photoelectric smoke and heat detector for use with the Velocity series of Fire Alarm Control panels. The VDOT-DPH Dual Optical Detector goes one step further and uses both IR and blue LEDs to provide a more accurate measurement of particles within the chamber.





### VDOT-H2 and VDOT-H2-H (VDOT-H3 and VDOT-H3-H)

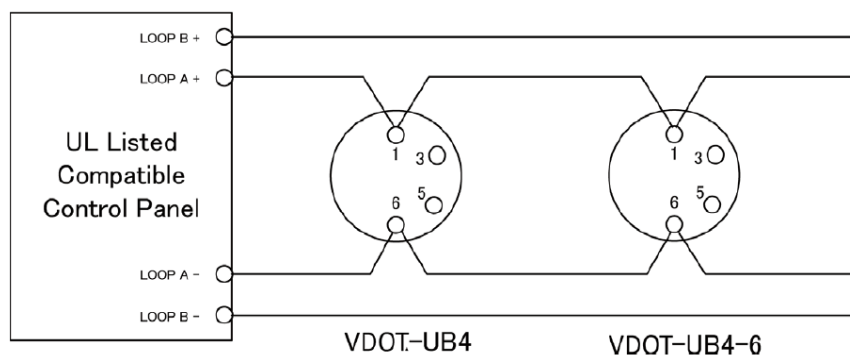


**VDOT-H2 and VDOT-H2-H** - Low profile, analogue addressable, heat detector. This analogue addressable heat detector has a specific detector address to provide exact detector locations throughout the installation. This allows for constant monitoring of the detector sensitivity and reports the detector's condition to the fire alarm control panel.


The VDOT-H2 is a 8.3 °C (15 °F) rate-of-rise temperature heat detector with 57 °C (135 °F) fixed temperature alarm.

The VDOT-H2-H is a high temperature heat detector with 83 °C (181 °F) fixed temperature

	alarm.
VDOT-PY	 <p><b>VDOT-PY</b> - An attractively-styled, low profile, analogue addressable, photoelectric smoke detector for use with the Velocity series of Fire Alarm Control panels. The smoke sensitivity of the detector can be programmed using the control panel software to suit the environmental conditions. The detector status is continually monitored and reported to the panel and automatic compensation corrects the sensitivity for contamination build up with time.</p>
VDOT-PYH	 <p><b>VDOT-PYH</b> - An attractively-styled, low profile, analogue addressable, combined photoelectric smoke and heat detector for use with the Velocity series of Fire Alarm Control panels. The smoke sensitivity of the detector can be programmed using the control panel software to suit the environmental conditions. The detector status is continually monitored and reported to the panel and automatic compensation corrects the sensitivity for contamination build up with time.</p> <p>The heat chamber is a 8.3 °C (15 °F) rate-of-rise temperature heat detector with 57 °C (135 °F) fixed temperature alarm.</p>
VDOT-PY3	 <p><b>VDOT-PY3</b> - An attractively-styled, low profile, analogue addressable, photoelectric smoke detector for use with the Velocity series of Fire Alarm Control panels, approved to UL268 7<sup>th</sup> Edition. The smoke sensitivity of the detector can be programmed using the control panel software to suit the environmental conditions. The detector status is continually monitored and reported to the panel and automatic compensation corrects the sensitivity for contamination build up with time.</p>
VDOT-PYH3	 <p><b>VDOT-PYH3</b> - An attractively-styled, low profile, analogue addressable, combined photoelectric smoke and heat detector for use with the Velocity series of Fire Alarm Control panels, , approved to UL268 7<sup>th</sup> Edition. The smoke sensitivity of the detector can be programmed using the control panel software to suit the environmental conditions. The detector status is continually monitored and reported to the panel and automatic compensation corrects the sensitivity for contamination build up with time.</p> <p>The heat chamber is a 8.3 °C (15 °F) rate-of-rise temperature heat detector with 57 °C (135 °F) fixed temperature alarm.</p>



Addressable device – Wiring diagram

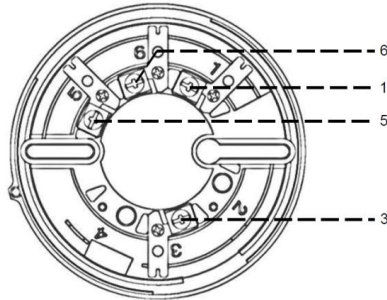
VDOT-UB4	 <p><b>VDOT-UB4</b> series base is detector base which is designed to be used with the model <b>VDOT-PY, VDOT-PY3, VDOT-PYH, VDOT-PYH3, VDOT-DPH, VDOT-H2, VDOT-H3, VDOT-H2-H</b> and <b>VDOT-H3-H</b> detector series heads. The series includes VDOT-UB4, which is 4 inch standard base, and VDOT-UB4-6, which is 6 inch standard base.</p> <p>The terminals of the base are used depending on the detector heads.</p> <ul style="list-style-type: none"> <li>▪ 12 –20AWG field wire can be connected to the terminals.</li> <li>▪ VDOT-UB4 is mounted to a 3-1/2" octagonal electrical box.</li> <li>▪ VDOT-UB4-6 is mounted to a 3-1/2" and 4" octagonal</li> </ul>
VDOT-UB4-6	



electrical box, or 4" square electrical box. VDOT-UB4-6 can be also used to cover larger opening around an electrical box.

**VDOT-UB4 / VDOT-UB4-6** are supplied with 4 terminals as standard. The Terminals of the bases are configured as follows.

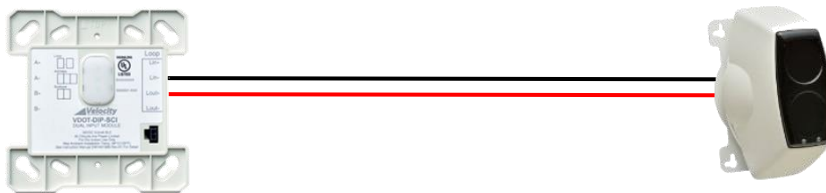
- 1 – SLC Positive
- 3 – Not Used
- 5 – Not Used
- 6 – SLC negative



Position of terminals (VDOT-UB4) / (VDOT-UB4-6)

**VDOT-DIP-SCI**

**FIRERAY 50RU/100RU**



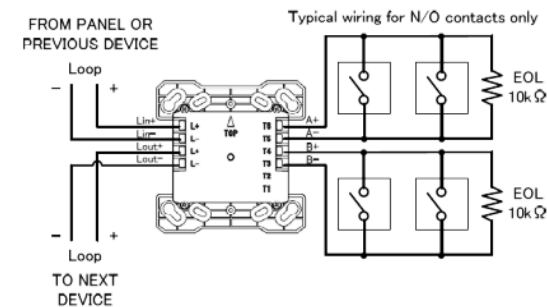
**VDOT-DIP-SCI** - Dual Input Module with Short Circuit Isolator is intended for use in addressable two wire systems. The module monitors and transmits the status (normal, open, short, or active) of devices equipped with NC/NO dry contacts to a control panel. The initiating device circuit (IDC) can be wired on Class A (Style D & E) or Class B (Style B & C).

**FIRERAY 50RU/100RU** - The system comprises of a single unit incorporating an infra-red transmitter and receiver. The signal generated in the transmitter element and reflected by the prism back to the receiver element is analysed for the presence of smoke. The internal microprocessor determines an alarm condition when a predetermined level is reached

Note: Any conventional detector cannot be connected with the module.

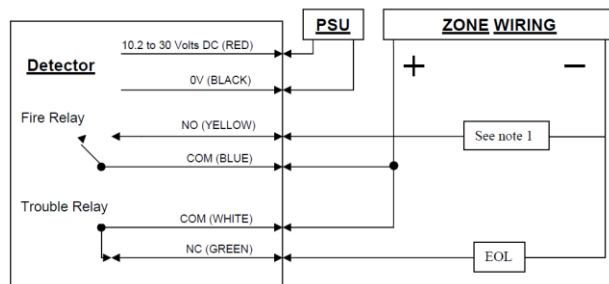
EOL (10k ohm) is connected between A+ (B+) and A- (B-) in VDOT-DIP-SCI.

Dry contact switches (input switches) are OFF.



VDOT-DIP-SCI

For connection of a single conventional Detector to a zone:



FIRERAY 50RU/100RU

**VDOT-DOP-AC240V-SCI**



**VDOT-DOP-AC240V-SCI** - Dual Output Module with Short Circuit Isolator is an addressable dual output module that provides two dry contacts. The contact rating is 4.8A at AC250V. The status of each dry contact is controlled by a control panel.

**Operation:**

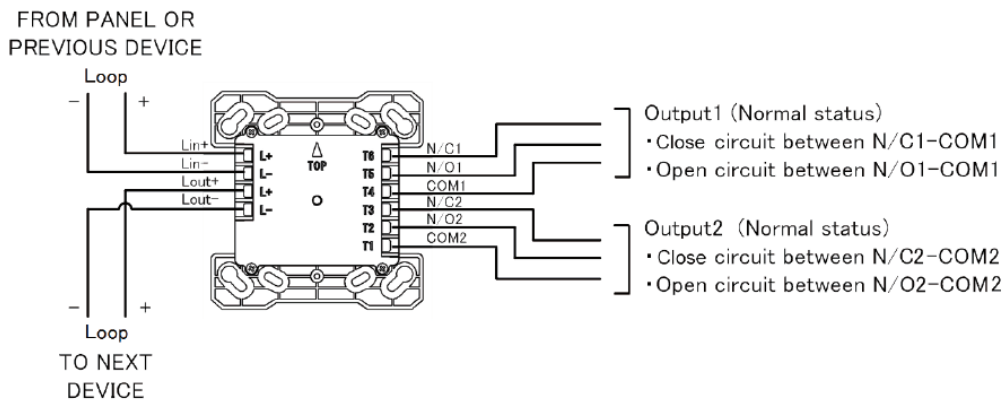
- Normal Standby condition: The module receives polling from the control panel at the regular interval. Polling LED (green) flashes.
- Active condition: When receiving a control signal from the control panel, the relay output is activated, and Output LED (red) illuminates.
- Trouble condition: If an overcurrent occurs because SLC (Signalling Line Circuit) is shorted, SCI LED (yellow) illuminates, and the module communicates to the control panel the short status.

**SCI (Short Circuit Isolator) Function:**

The module has a built-in short circuit isolator. SCI circuit prevents entire loop failure in the event of a short between L+ and L-on the loop. If a short is detected between L+ and L-, the yellow LED is illuminated. The line between Lin- and Lout- is disconnected automatically to isolate the short circuit, and short circuit status is communicated to the control panel. Upon removal of the short condition, the module will automatically connect between Lin-and Lout-to restores the entire loop to the normal stand by status.

**VDOT-DOP-AC240V-SCI**

**■ Wiring**



Relay Module contains two isolated sets of Form-C contacts, which operate as a DPDT switch. The module allows the control panel to switch these contacts on command. No supervision is provided for the relay contacts.

**VDOT-DOP-SCI**



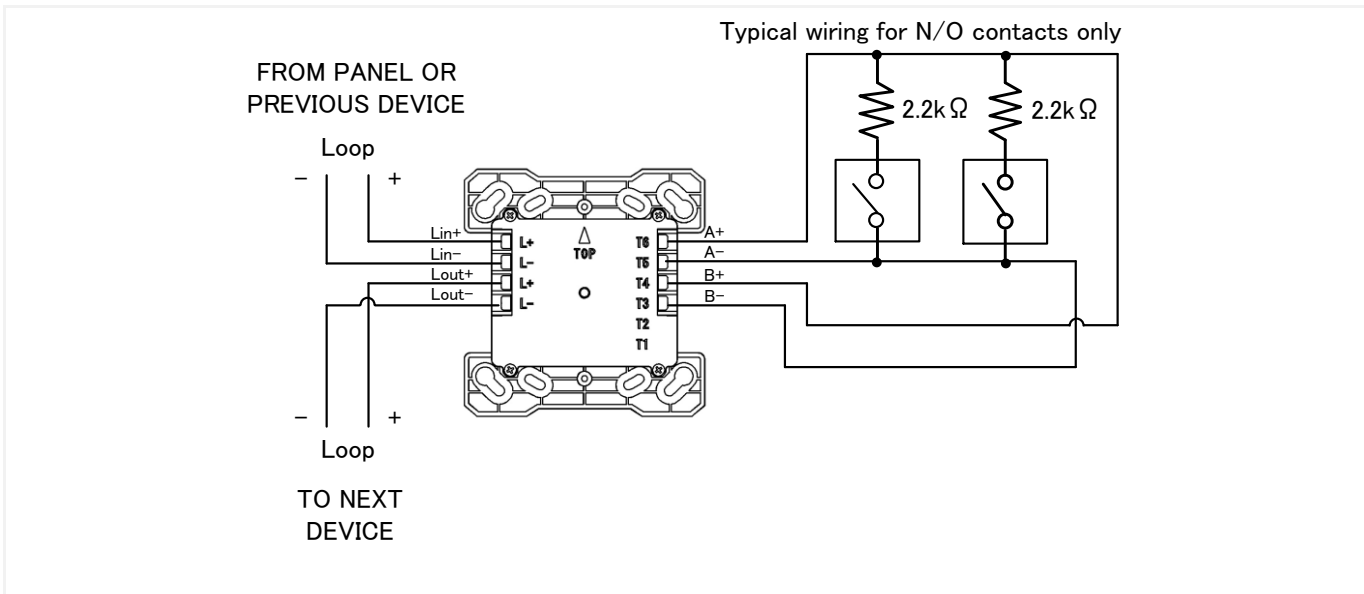
**VDOT-DOP-SCI** - Dual Output Module with Short Circuit Isolator is an addressable dual output module that provides two dry contacts. The contact rating is 2A at DC30V. The status of each dry contact is monitored and controlled by a control panel.

**Operation:**

- Normal standby condition: The module receives polling from the control panel at the regular interval. Polling LED (green) flashes.
- Active condition: When receiving a control signal from the control panel, the relay output is activated, and Output LED (red) illuminates.
- Trouble condition: If an overcurrent occurs because SLC (Signalling Line Circuit) is shorted, SCI LED (yellow) illuminates, and the module communicates to the control panel the short







**VDOT-SCI**

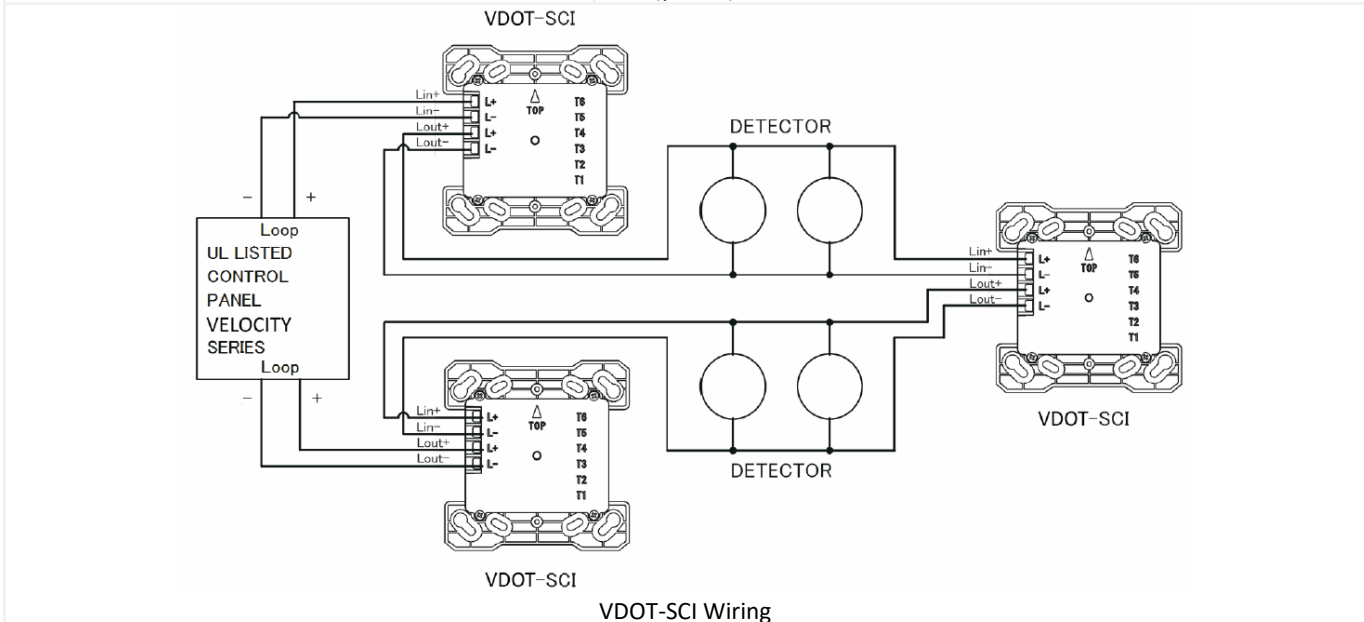


VDOT-SCI Short Circuit Isolator Module is a short circuit isolator module that prevents an entire loop failure in the event of a short in the loop. If a short is detected the yellow LED indicator illuminates, and short-circuited area is isolated automatically. Upon removal of the short condition, the module automatically connects the area to restore the entire loop to the normal operating status. The module is not addressable.

**OPERATION:**

- Normal standby condition: The module monitors the voltage at the SLC (Signalling Line Circuit).

Short condition: If an overcurrent occurs because SLC is shorted, SCI LED (yellow) illuminates, and the short circuit is isolated.

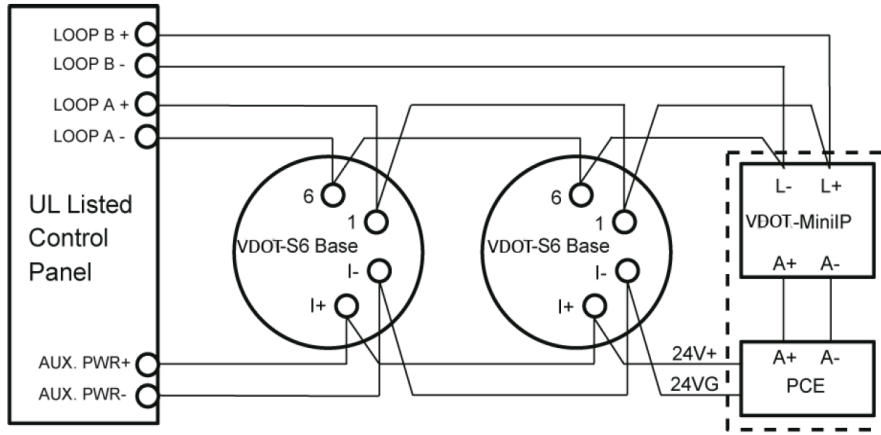


**VDOT-S6**



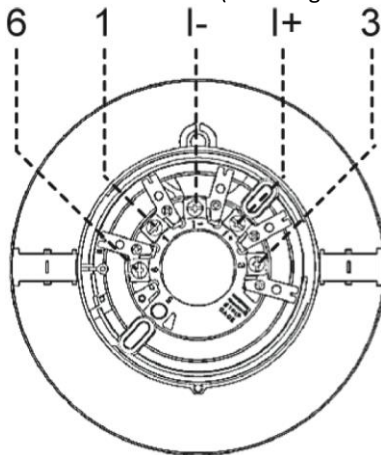
VDOT-S6 Base is a detector base with sounder, which is individually or collectively controlled by a control panel using addressable system. The detector base has 4 sound patterns which are continuous, march, ANSI 3 temporal and 4 temporal patterns. These patterns which are used in and around buildings can be selected by a control panel. The sound pressure level at 10 feet from the base is over 85 dB. Up to 127 bases can be connected to a loop of the control panel. The base is designed to be mounted to 3-1/2" octagonal, 4" octagonal or 4" square electrical box.

When connected to analogue addressable detectors such as VDOT-PY, VDOT-PYH, VDOT-H2, VDOT-DPH, etc.



If the AUX. supply circuit needs to be monitored to detect short circuit or open circuit, connect PCE (End-of-line supervision module) to the end of the AUX. supply circuit and VDOT-MiniIP to SLC.

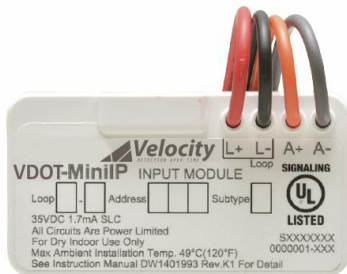
VDOT-S6 Base is supplied with 5 terminals (including 1 unused) as follows:



### Terminals

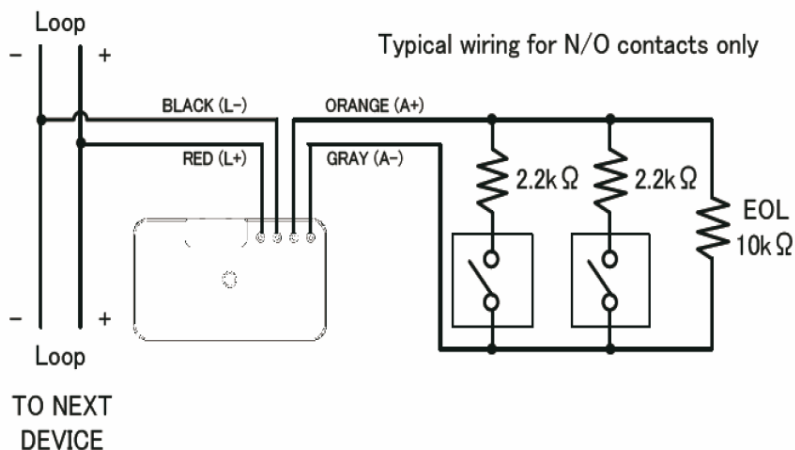
- Terminal 6 = SLC -
- Terminal 1 = SLC +
- Terminal I- = AUX -
- Terminal I+ = AUX+
- Terminal 3 = UNUSED

### VDOT-MiniIP



VDOT-MiniIP Input Module is intended for use in addressable two wire systems. The module monitors and transmits the status (normal, open, short, or active) of devices equipped with NC/NO dry contacts to a control panel. The module is used for Class B (Style B & C) operation.

FROM PANEL OR PREVIOUS DEVICE



Class B (Style C) wiring. For more wiring styles, please see the VDOT-MiniIP instruction manual (GLT-299-7-17)

## VL-SLC Specifications

Signalling Line Circuit Modules (VL-SLC)	
Circuit Voltage	32VDC Nominal (+10% / -15%)
Protocol Data	FSK Sin Wave (3030 Hz / 6667 Hz)
Circuit Type	Power limited & Supervised
Wiring Class	Class A / Class X
Recommended cable sizes	18 AWG to 14 AWG (0.8mm <sup>2</sup> to 2.5mm <sup>2</sup> )
Maximum SLC Current	500mA
Maximum SLC Capacity	254 Addresses
Maximum SLC Resistance	50Ω total (25Ω per core) @ 200mA Max loop load 20Ω total (10Ω per core) @ 500mA Max loop load
Maximum SLC Capacitance	100nF
Maximum SLC Baud Rate	4334 Bits Per Second (typical)

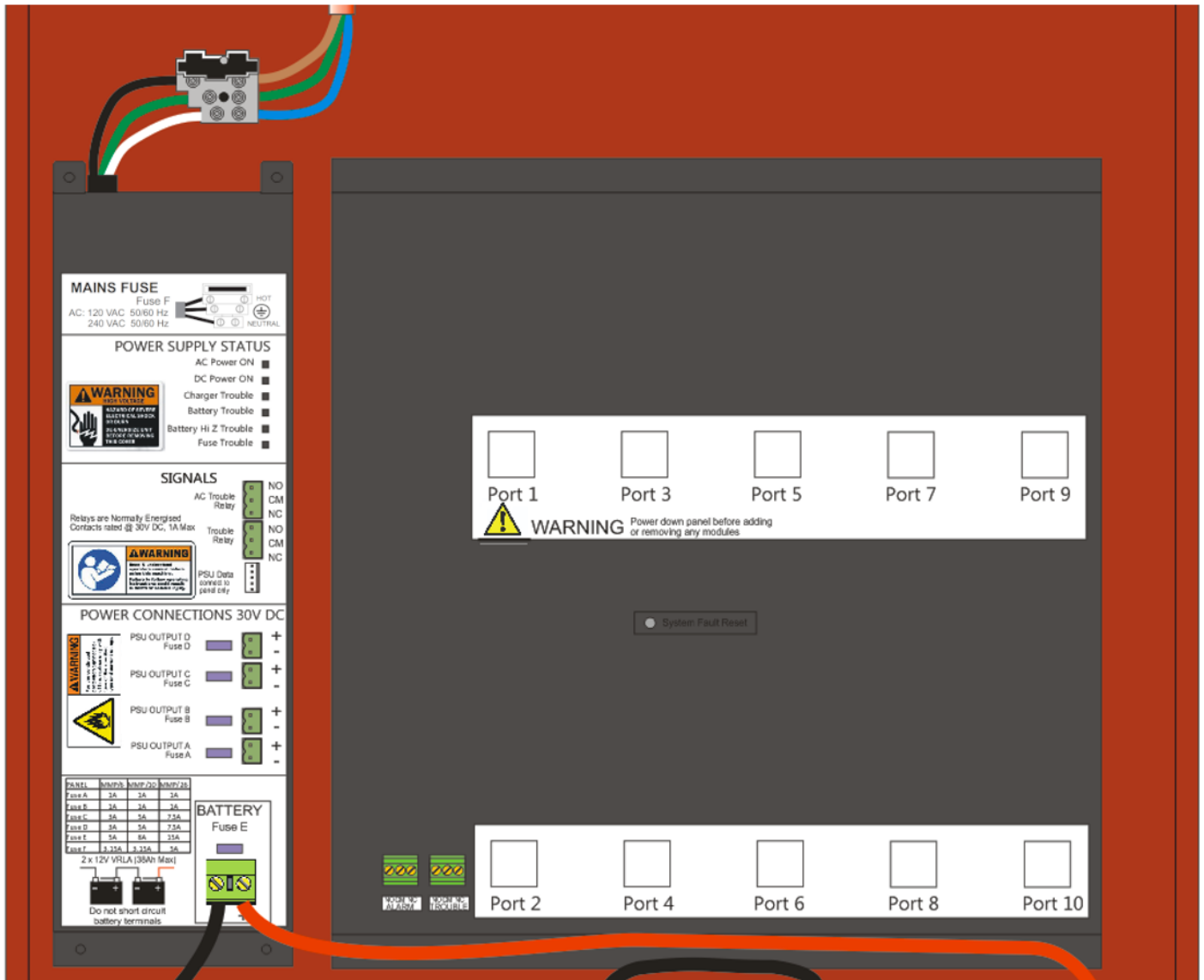
## Compatible SLC Devices

SLC Devices	
Conventional Zone Module with SCI	VDOT-ZMU-SCI
Dual Input Module with SCI	VDOT-DIP-SCI
Relay Dual Output Module For 240V AC with SCI	VDOT-DOP-AC240V-SCI
Relay Dual Output with SCI	VDOT-DOP-SCI
Addressable Dual Optical/Heat Detector	VDOT-DPH
Addressable Heat Detector	VDOT-H2
Addressable Heat Detector – High temperature	VDOT-H2-H
Addressable Heat Detector	VDOT-H3
Addressable Heat Detector – High temperature	VDOT-H3-H
Mini Input Module	VDOT-MINIIP
Addressable Photoelectric Smoke Detector	VDOT-PY
Addressable Multisensory Detector	VDOT-PYH
Addressable Photoelectric Smoke Detector (7 <sup>th</sup> Edition)	VDOT-PY3
Addressable Multisensory Detector (7 <sup>th</sup> Edition)	VDOT-PYH3
Sounder Base	VDOT-S6 BASE
Short Circuit Isolator	VDOT-SCI
Low Power Relay Base	VDOT-STB-RL
Base Short Circuit Isolator	VDOT-STB-SCI
Standard Detector Mounting 4" Base	VDOT-UB4
Standard Detector Mounting 6" Base	VDOT-UB4-6

# Power Supply

The Velocity MMP Power supply is located on the left hand side of the back box.

There are two different power supply sizes, depending on whether the panel is a 6 port, 10 port, or 26 port version.



## PSU Specifications

	VL-MMP/6	VL-MMP/10	VL-MMP/26
AC Line Voltage	120V AC @ 60Hz 240V AC (@ 50 Hz)	120V AC @ 60Hz 240V AC (@ 50 Hz)	120V AC @ 60Hz 240V AC (@ 50 Hz)
Power Supply Rating	240 Watts	240 Watts	400 Watts
DC Output Voltage	30 VDC	30 VDC	30 VDC
Maximum Output Current	5.8 Amp	5.8 Amp	11.1 Amp
Battery Voltage	27.6VDC	27.6VDC	27.6VDC
Battery Charging Capability	Up to 12.0Ah	Up to 38.0Ah	Up to 65.0Ah
Max Battery Charging Current	1.56 Amp	2.3 Amp	2.3 Amp



**ATTENTION:**

- DO NOT EXCEED POWER SUPPLY RATINGS, OR MAXIMUM CURRENT RATINGS.
- TO AVOID SPARKING, CONNECT BATTERIES AFTER THE SYSTEM'S MAIN A.C. POWER IS TURNED ON.
- COMPLY WITH VOLTAGE MARKINGS AS SPECIFIED ON LABELS.

## PSU Fuses

The PSU fuses are supervised, and the panel will report trouble if any fuse is removed or blown. All fuses are quick blow, rating as shown.

Panel Designation	MMP6	MMP10	MMP26
Fuse A	1A	1A	1A
Fuse B	1A	1A	1A
Fuse C	3A	5A	7.5A
Fuse D	3A	5A	7.5A
Fuse E	5A	8A	15A
Fuse F	5A	5A	5A

NOTE: only use UL listed fuses

## Power Supply Status Indications

LED Description	LED Colour	Indication Method	Events/Causes
AC Power ON	Green	ON	Mains AC power present, converter in operating state
		OFF	Mains AC power off Mains AC fuse blown or removed
DC Power ON	Green	ON	No mains AC power or converter off
		OFF	When mains AC power present
Charger Trouble	Yellow	OFF	System normal
		Flashing	Charger fault
Battery Trouble	Yellow	OFF	System normal
		Flashing	Battery disconnected Battery fuse blown or removed Low battery
Battery Hi Z Trouble	Yellow	OFF	System normal
		Flashing	Battery internal high impedance present
Fuse Trouble	Yellow	OFF	System normal
		Flashing	Fuse A, B, C, or D, are blown or removed



1. Switch SW2 on the charger PCB is used to determine if temperature compensation is used or not. Power down panel completely before removing cover to change the setting.
2. Battery circuit resistance measurement is required by BS EN 54-4. The maximum resistance of several tens to hundreds of milliohms varies for different power supplies and depends on their nominal output voltage and power. It can be set on or off by using switch 4 of dip switch SW1 on the charger PCB. Power down panel completely before removing cover to change the setting.

## Power Supply Signals

Description	Details
MAINS FAULT	Continuity between NC & C in normal operating condition. When there is a fault/trouble condition on the mains power, continuity is switched to NO & C. Relay is normally energized and "fail-safe" as the relay will change over in the event of total power failure.
FAULT RELAY	Continuity between NC & C in normal operating condition. When there is any fault/trouble on the PSU or Charger, continuity is switched to NO & C. Relay is normally energized and "fail-safe" as the relay will change over in the event of total power failure.
PSU DATA	Serial data connection from PSU to termination PCB. TO BE USED TO CONNECT TO PANEL ONLY.

# Fault Finding

See troubleshooting section in Velocity MMP operation manual (Doc: GLT-261-7-2)

## Appendix A: SPECIFICATIONS

Code			
Description	Velocity Fire Alarm Panel		
Standard	UL864 10 <sup>th</sup> Edition (Pending)		
Main Supply			
Mains Voltage	120V AC (+10% / -15%) 60 Hz 240V AC (+10% / -15%) 50 Hz		
Battery Secondary Supply	VL-MMP/6	VL-MMP/10	VL-MMP/26
Battery Voltage	2 x 12V SLA	2 x 12V SLA	2 x 12V SLA
Battery Charge Current	1.1A	2.2A	2.2A
Battery Charge Voltage	27.3V @ 25°C	27.3V @ 25°C	27.3V @ 25°C
Battery Derating Factor			
On-board Relay Outputs			
Fire Relay (Termination PCB)	(C,NO,NC) Contact rating: 125VAC @ 0.5A / 30VDC @ 1A		
Trouble Relay (Termination PCB)	Normally Energised (C,NO,NC) Contact rating: 125VAC @ 0.5A / 30VDC @ 1A		
Mains Fault Relay (Charger PCB)	Normally Energised (C,NO,NC) Contact rating: 125VAC @ 0.5A / 30VDC @ 1A		
Trouble Relay (Charger PCB)	Normally Energised (C,NO,NC) Contact rating: 125VAC @ 0.5A / 30VDC @ 1A		
Power Supply Outputs	VL-MMP/6	VL-MMP/10	VL-MMP/26
Output A (Auxiliary Power– non-power Limited)	29V @ 1A	29V @ 1A	29V @ 1A
Output B (Auxiliary Power– non-power Limited)	29V @ 1A	29V @ 1A	29V @ 1A
Output C (Control Panel Power – non-power Limited)	29V @ 3A	29V @ 5A	29V @ 7.5A
Output D (Control Panel Power– non-power Limited)	29V @ 3A	29V @ 5A	29V @ 7.5A
Display			
LCD Display	4.3" Resistive touch screen. 480 x 272 pixel resolution		
LED Indicators	Alarm, Supervisory, Trouble, Alarm Silenced, Power, Controls Active, General Disablement, General Test, NAC Trouble/Disablement, NAC Delay, NAC Active, CPU Trouble, Acknowledge (VL-ZLX 64 zone LED expansion also available)		
Button Controls	Alarm, Silence, Acknowledge, Scroll Display, Reset, Drill (All other controls via touchscreen)		
General Panel Information			
Maximum Software Zones	254 Zones		
Maximum Event Log	8032 Events		
Software Programming	Via touchscreen or Windows software		
Enclosure	VL-MMP/6	VL-MMP/10	VL-MMP/26
Dimensions H x W x D (mm)	H: 535mm x W: 385mm x D: 150mm	H: 665mm x W: 535mm x D: 200mm	H: 665mm x W: 975mm x D: 200mm
Weight	8.5 kg	15 kg	27 kg
Cable Entries	Top 18 Sides 12 Base 4	Top 26 Sides 8 Base 4	Top 66 Sides 28 Base 20
Module Capacity	6	10	26
Power Supply	10A	10A	15A
Battery Capacity	12Ah max	38Ah max	65Ah max
Environmental			
Operating Temperature	0°C (32°F) to 49°C (120°F)		
Relative Humidity	93% Non-condensing		

## Appendix B: STANDBY BATTERY REQUIREMENTS

A spreadsheet is available for calculating the standby battery requirements. The table below is provided for information:

Model Number	Description	Standby Current (mA) (Mains Fail Condition)	Alarm Current (mA)
VL-MMP/6	Velocity MMP 6 expansion port Fire alarm panel	110	
VL-MMP/10	Velocity MMP 10 expansion port Fire alarm panel	112	
VL-MMP/26	Velocity MMP 26 expansion port Fire alarm panel	120	
VL-MMP/RA	Velocity MMP Remote annunciator	88	109
VL-SLC	Signalling Line Circuit Module - 1 x Class A	87*	87*
VL-MIM	Multi Input Module - 6 x Class B	48	63 / 120****
VL-ZMA	Initiating Device Circuit Module - 3 x Class A	19	41 / 85****
VL-ZMB	Initiating Device Circuit Module - 6 x Class B	62	84 / 194****
VL-MRM	Multi Relay Module - 3 x Form C	15	27 / 96****
VL-NCA	NAC Module - 1 x Class A	37	47+ Appliance load
VL-NCB	NAC Module - 2 x Class B	35	45 + Appliance load
VL-NWM	Network Module - RS485	19	19
VDOT-ZMU-SCI	Conventional Zone Module with SCI	2.6	35.9
VDOT-DIP-SCI	Dual Input Module with SCI	3.0	16.9
VDOT-DOP-AC240V-SCI	Relay Dual Output Module For 240V AC with SCI	0.6	3.3
VDOT-DOP-SCI	Relay Dual Output with SCI	0.6	3.3
VDOT-DPH	Addressable Dual Optical/Heat Detector	0.2	5
VDOT-H2(-H)	Addressable Heat Detector	0.2	5
VDOT-MINIIP	Mini Input Module	1.7	7.2
VDOT-PY	Addressable Photoelectric Smoke Detector	0.2	5
VDOT-PYH	Addressable Multisensory Detector	0.2	5
VDOT-PY3	Addressable Photoelectric Smoke Detector (7 <sup>th</sup> Edition)	0.2	5
VDOT-PYH3	Addressable Multisensory Detector (7 <sup>th</sup> Edition)	0.2	5
VDOT-S6 BASE	Sounder Base	0.5	1.4
VDOT-SCI	Short Circuit Isolator	0.1 (22mA isolating)	0.1 (22mA isolating)
VDOT-STB-RL	Low Power Relay Base	0.024	0.11
VDOT-STB-SCI	Base Short Circuit Isolator	0.1 (22mA isolating)	0.1 (22mA isolating)
VL-W-C-W	Velocity Wall Mount Chime (White)	0	55
VL-W-C-R	Velocity Wall Mount Chime (Red)	0	55
VL-W-M-W	Velocity Wall Mount Multitone (White)	0	55
VL-W-M-R	Velocity Wall Mount Multitone (Red)	0	55
VL-W-CS-W	Velocity Wall Mount Chime/Strobe (White)	0	131-368***
VL-W-CS-R	Velocity Wall Mount Chime/Strobe (Red)	0	131-368***
VL-W-MS-W	Velocity Wall Mount Multitone/Strobe (White)	0	167-441***
VL-W-MS-R	Velocity Wall Mount Multitone/Strobe (Red)	0	167-441***
VL-C-CS-W	Velocity Ceiling Mount Chime/Strobe (White)	0	131-368***
VL-C-CS-R	Velocity Ceiling Mount Chime/Strobe (Red)	0	131-368***
VL-C-MS-W	Velocity Ceiling Mount Multitone/Strobe (White)	0	167-441***
VL-C-MS-R	Velocity Ceiling Mount Multitone/Strobe (Red)	0	167-441***
VL-MH-W	Velocity Mini Horn (White)	0	55
VL-MH-R	Velocity Mini Horn (Red)	0	55
VL-W-S-W	Velocity Wall Mount Strobe (White)	0	131-368***
VL-W-S-R	Velocity Wall Mount Strobe (Red)	0	131-368***
VL-C-S-W	Velocity Ceiling Mount Strobe (White)	0	131-368***
VL-C-S-R	Velocity Ceiling Mount Strobe (Red)	0	131-368***
GB6-24	Wall Mount Bell 6"	0	100
GB10-24	Wall Mount Bell 10"	0	100

\*SLC Device quiescent current and alarm load current not included. Current shown for VL-SLC module only. On batteries use 1.5x current to allow for DC-DC step up voltage

\*\*Current for printing out alarm message not included

\*\*\*depends on strobe setting

\*\*\*\*1 circuit active / All circuits active (Includes Pull Station alarm current where applicable)

# Appendix C: DEVICE ADDRESS SETTING (VDOT-AD2)

## Addressable SLC Detectors

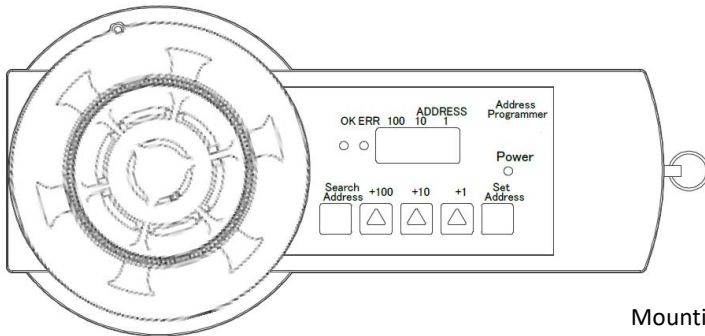
This quick instruction of VDOT-AD2 is using a **VDOT-PYH** as an example. Please refer to “VDOT-AD2 programmer instruction manual GLT-303-7-1 for further details.

### Preparation

1. VDOT-AD2 requires two 9V PP3 batteries.
- a) Before inserting the batteries, confirm the VDOT-AD2 is switched off and check polarity of battery, or damage could result.

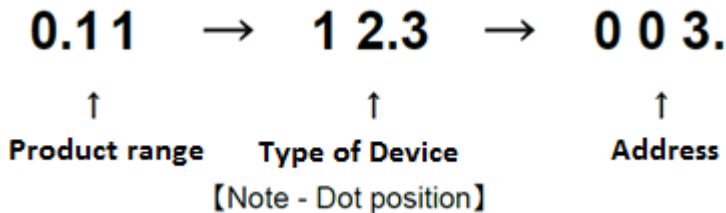
### Indicate current address

1. Turn the power switch ON.
- a) For one second, all LED's are lit and the buzzer sounds.
2. Push the detector into the base on the VDOT-AD2 while turning it clockwise until the detector locks into place.



Mounting a detector on an VDOT-AD2

3. Press the [Search] Key
  - a) Buzzer sounds, and then the VDOT-AD2 starts transmitting to the detector.
  - b) Do not remove the detector when transmitting, or damage could result.
4. The 7 segment LED Cycles through the following information: [Product Range], [Type of device], [Address] in turn.
  - a) The buzzer sounds, ERROR LED lights and the 7 segment LED display are an ERROR CODE when an unsupported or defective device is connected.



The 7 segment LED distinguishes the Product Range, Device Type and Address by the dot position in the LED. The information displayed by the 7 segment LED cycles every second and stops whilst displaying the [address] at the end of the second cycle.

Velocity UL Devices are Product range 011

Type of device is assigned to the detectors as below:  
VDOT-PYH: 153

Pressing any key at any time during the information collection cycle, forces the VDOT-AD2 to display the address, and await new address selection.

### Set new address

1. +100, +10, +1 keys are used to select the new address.
2. Press the [Set] key
  - a) The buzzer sounds, and all LED's are turned off. The VDOT-AD2 then starts transmitting to the detector.
  - b) Do not remove the detector.
3. The 7 segment LED shows the new address and “complete” LED lights. If an unsupported or defective device is connected the buzzer sounds, ERROR LED is lit and the 7 segment LED reads ERROR CODE.
4. To continue changing the address for another device, change the detector and then repeat from paragraph 3.

To finish changing addresses, turn the POWER SW off.



**Addressable SLC Modules**

This quick instruction of VDOT-AD2 is using a **VDOT-DIP-SCI** as an example. Please refer to “VDOT-AD2 programmer instruction manual” (GLT-303-7-1) for further details.

**Address Setting**

Use VDOT-AD2 Programmer for setting the address of the module prior to installation. VDOT-DIP-SCI has an address given at random from factory. Connect the Programmer with the address setting port to change the address to any of 1-254 (decimal), with reference to the instruction manual of VDOT-AD2 Programmer. The address can be set regardless of whether power supply from the control panel is turned on or off. During setting address, the module does not respond to the control panel.

Set the address of module according to Job data.

## Appendix D: PRODUCT CODES

Description	Product Code
<b>Panels</b>	
6 Module Capacity – LCD Only (Red)	VL-MMP/6
10 Module Capacity – LCD Only (Red)	VL-MMP/10
10 Module Capacity – LCD & 64 Zonal LED's (Red)	VL-MMP/10/64
26 Module Capacity – LCD Only (Red)	VL-MMP/26
26 Module Capacity – LCD & 64 Zonal LED's (Red)	VL-MMP/26/64
Remote Annunciator Panel (Red)	VL-MMP/RA
6 Module Capacity – LCD Only (Black)	VL-MMP/6-B
10 Module Capacity – LCD Only (Black)	VL-MMP/10-B
10 Module Capacity – LCD & 64 Zonal LED's (Black)	VL-MMP/10-B/64
26 Module Capacity – LCD Only (Black)	VL-MMP/26-B
26 Module Capacity – LCD & 64 Zonal LED's (Black)	VL-MMP/26-B/64
Remote Annunciator Panel (Black)	VL-MMP/RA-B
<b>Modules</b>	
Signalling Line Circuit Module - 1 x Class A	VL-SLC
Multi Input Module - 6 x Class B	VL-MIM
Initiating Device Circuit Module - 3 x Class A	VL-ZMA
Initiating Device Circuit Module - 6 x Class B	VL-ZMB
Multi Relay Module - 3 x Form C	VL-MRM
NAC Module - 1 x Class A	VL-NCA
NAC Module - 2 x Class B	VL-NCB
Network Module - RS485	VL-NWM
Modbus Module - RS485	VL-MBM
Local Area Network Module	VL-LAN

## Appendix E: EARTH FAULT IMPEDANCE VALUES

Below is a table of the impedance values that will cause a earth fault on the MMP panel under normal operating conditions (running on mains power)

Circuit	Impedance that will signal an Earth Fault
PSU Output +	10KΩ
PSU Output -	10KΩ
NAC Class A +*	10KΩ
NAC Class A -*	10KΩ
NAC Class B +*	10KΩ
NAC Class B -*	10KΩ
SLC +	10KΩ
SLC -	10KΩ
Multi-Input Module (MIM) +	10KΩ
Multi-Input Module (MIM) -	10KΩ
Zone Class A +	10KΩ
Zone Class A -	10KΩ
Zone Class B +	10KΩ
Zone Class B -	10KΩ
Network Module, terminal A	10KΩ
Network Module, terminal B	10KΩ
Multi-Relay Module (MRM) NO	N/A (Isolated from system voltage)
Multi-Relay Module (MRM) CM	N/A (Isolated from system voltage)
Multi-Relay Module (MRM) NC	N/A (Isolated from system voltage)

\*in quiescent condition, the NAC has a reverse voltage on its terminals. So that a ground fault to NAC + will cause a negative ground fault, and a ground fault to NAC - will cause a positive ground fault. When active, the impedance levels, and the fault messages reverse.

**Installation Manual Modification History**

Issue	Date	Changes
004	30/07/2019	<ul style="list-style-type: none"> <li>- Added manual modification history table</li> <li>- Removed VDOT-SCM-SCI device from manual</li> <li>- Impedance values changed to 10KΩ</li> <li>- Changed device recommendation for ZMA &amp; ZMB</li> <li>- Changed wiring diagrams for VDOT-ZMU</li> </ul>
005	10/10/2019	<ul style="list-style-type: none"> <li>- VL-232 was missing from the panel module list.</li> </ul>
006	W.I.P.	<p>2019-10-22</p> <ul style="list-style-type: none"> <li>- Changed MMP6 PSU from 150W to 240W</li> </ul> <p>2019-12-04</p> <ul style="list-style-type: none"> <li>- Fixed remaining mentions of 150W PSU</li> <li>- Removed conventional detector from summary</li> <li>- Added info about class X wiring</li> <li>- Added info about redundancy</li> <li>- Made changes to SLC wiring diagrams.</li> </ul> <p>2020-12-07: Manual amendments – UL review.</p> <p>2021-05-28: Updated PSU info to match UL results datasheet</p> <p>2021-11-16: Removed 7<sup>th</sup> edition detector info from VL-SLC wiring info page</p> <p>2022-03-09: Updated PSU Drawings to show HOT &amp; NEUTRAL</p>
007	3/5/2022	Updated Battery Calculation Information.
008	21/6/2023	Updated Manual to include VDOT-PY3, VDOT-PYH3, VDOT-H3, and VDOT-H3-H Detectors.(7/7/23) Corrected VDOT-PYH to VDOT-PYH3 on P37