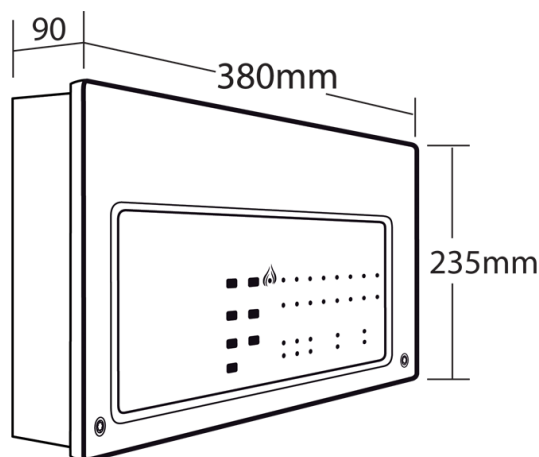


# XFP 1 Loop 16 Zone Addressable Fire Panel (XP95/Discovery protocol)

Part No. **XFP501E/X**



## Overview

C-TEC's XFP single loop 16 zone addressable fire alarm panel offers high performance at a very competitive price.

LPCB certified to EN54 parts 2 & 4, it is supplied in an attractive flush or surface mountable plastic enclosure, offers combined keypad or keyswitch entry to Access Levels 2 and 3 and is compatible with Apollo's XP95/Discovery protocol.

Ideal for use in small stand-alone applications or in larger applications due to its ability to sit on network of up to 8 XFP master panels, it is one of Europe's best-selling entry-level addressable fire panels.

Packed full of engineering features—some of which are not available on more expensive alternatives (see feature list below)—the XFP501E/X is also fully compatible with C-TEC's Hush Button fire alarm solution and its new range of EN54 certified addressable sounders and VADs.

## More Information

Third-party certified to EN54-2/4 by the Loss Prevention Certification Board (LPCB).

Compatibility with Apollo's XP95/Discovery protocol.

Two independently programmable conventional sounder circuits.

Two programmable inputs.

A fault output relay and three programmable relay outputs with voltage free changeover contacts.

A selection of zone dependency/coincidence functions.

A day/night (building occupied/unoccupied) function.

An investigation delay period function.

Phased evacuation facility.

An alarm counter that records how many times the panel has been in alarm state.

Powerful short circuit protected loop drivers, capable of supporting up to 40 loop powered 10mA sounders per loop.

An integral EN54-4/A2 switch mode power supply.

Adjustable contamination levels.

Earth fault monitoring.



Combined keypad / keyswitch entry to Access Levels 2 and 3.

999 event monitoring.

An intuitive Windows based upload-download PC program.

Up to eight XFP main panels (any variant) can be connected onto a two-wire RS485 non-redundant network. Alternatively, up to eight XFP repeaters can be connected to any non-networked main panel.

## Technical Specifications

Approvals/certifications	Certified to EN54-2/4 by the LPCB (0832-CPD-0772).
Protocol/compatibility	Apollo XP95/Discovery.
Mains supply	230V 50/60Hz.
Mains rated current	350mA maximum.
Internal power supply	27Vdc nominal.
Total output current limited to	1.4A @ 230Vac (I <sub>max</sub> .A 210mA; I <sub>min</sub> . 40mA).
Quiescent current	50mA (loop unloaded).
Max battery size and type	2 x 12V 3.2Ah VRLA connected in series.
No. of loop drivers	1.
Max. loop output current	500mA (25V min; 34V max).
Max. loop length	1KM.
Max. addressable devices per loop	126.
No. of conventional sounder circuits	2 (Max. length per circuit is 500m).
EOL resistor value	68000ohm 5% Tol. 0/25W (blue, grey, red, gold).
Max. sounder output current	400mA.
Auxiliary relays	3 x Programmable Relays (programmable from C&Es). 1 x Fault Relay (active when no faults are present). Volt free single pole changeover. Max. switch current 1A; Max. switch voltage 30Vdc.
Other outputs	24V Aux. Power (19.5V min, 28V max). Protected by a resettable fuse. Max. current 100mA.
Auxiliary inputs	2 x Programmable Inputs (programmable from C&Es). Connect to 0V to trigger. Max. input voltage 27V (non-latching).
PC connection	PC connection via RS232 molex connector (supplied in XFP507 upload/download software kit); No printer connection available.
Indicators	2 line x 40 character backlit display; 16 Zonal LEDs, General Fire; Energised; Pre-Alarm; Remote Output Activated; Remote Output Disabled; Accessed; Disablement; Test; Silenced; General Fault; System Fault.
Connections	Fixed, largest acceptable conductor size 1mm <sup>2</sup> .
Expansion connections	2-wire RS485 non-redundant network/repeater connection available via optional XFP761 network card. Max. 8 mains per network or 8 repeaters per non-networked main. Limit 1KM (main panel network) or 500M (repeater network).
Product dimensions (mm)	380 W x 235 H x D 96mm;
Construction & finish	Plastic lid and base; RAL7035 textured.
IP Rating	IP30.
Weight	1.8kg (without batteries).
Operating conditions/temperature	-5°C to +40°C. Max relative humidity: 95%.



T 01942 322744

E sales@c-tec.co.uk

F 01942 829867

W www.c-tec.com



C-TEC, Challenge Way, Martland Park, Wigan, WN5 0LD United Kingdom



T 01942 322744    E sales@c-tec.co.uk  
F 01942 829867    W www.c-tec.com



C-TEC, Challenge Way, Martland Park, Wigan, WN5 0LD United Kingdom