

IRIS PRO

Addressable Fire Alarm Panel

EN54-2/4

Description

IRIS PRO is an addressable fire alarm panel with maximum coverage of 96 zones and connecting 1 to 4 loops. The information for the system status is visualized on sensitive graphic display and LED indication for zones and troubles.

The panel has also built-in real time clock and comprehensive day/night mode facility. With special "2 Steps of alarm level" working algorithm the false alarms could be effectively minimized.

The panel supports communication protocol *Teletek Electronics (IRIS TTE loop)*.

The control panel is placed in a metal box with simple and clear design. The access to the control panel PCB is protected with a key. The metal box is suitable for building up modular structures with IRIS PS72 and IRIS Printer as all of the cable connections to the IRIS PRO panel remain hidden and secure.

Direct programming with *ProSTE* software via micro USB standard interface.



DoP No: 065



1139h/01

0832-CPR-F1672

Technical and Environmental Specifications

Main Power Supply	~230VAC ± 10%
Frequency	50/ 60Hz
Back-up Power Supply	1 battery, 12V/ 18Ah
Electrical output	7.0A
Internal resistance of accumulator battery Ri	<0.3Ω
Loops (according the hardware configuration)	1 - 4
Zones	96
Zone groups	48
Outputs (monitored, relay)	4
Outputs (non-monitored, programmable, relay)	4, 15A@24VDC
Programmable inputs/outputs	up to 250
Memory LOG	10000 events
Panels in network*	up to 64
Redundant processor	YES
Multi language support	YES
Thermal printer	option
Operating temperature	-5°C to +40°C
Relative humidity resistance	(93 ± 3)% @ 40°C
Weight (without battery)	~6kg
Color	Grey
Dimensions	430x330x117mm

* Ethernet (via built-in TCP/IP protocol) or RS485 redundant network (optional module).

Note: Only one network type can be used in one network with connected panels.

Contact Information:

Teletek Electronics JSC
14A Srebarna Str, 1407 Sofia, Bulgaria

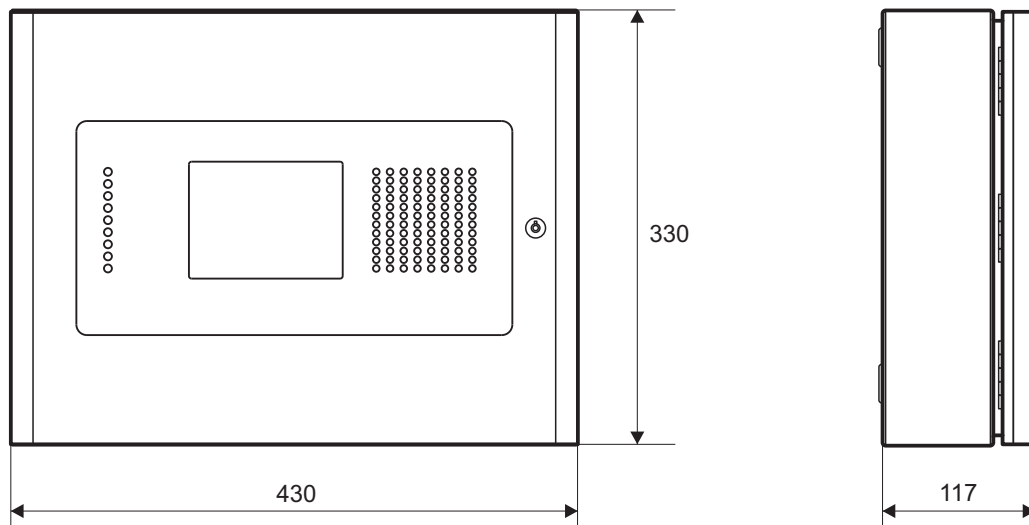
Tel.: +359 2 9694 800
Fax: +359 2 9625 213

info@teletek-electronics.bg
www.teletek-electronics.com

IRIS PRO

Addressable Fire Alarm Panel

EN54-2/4



● Packing Information

- **Single packing box** - 1 unit IRIS PRO Fire Alarm Panel, dimensions 435x335x122mm
- **Carton packing box** - 2 units IRIS PRO Fire Alarm Panel, dimensions 507x427x335mm

● Compatible Product Range

- **IRIS TTE loop** - Expander for 1 loop, TTE communication protocol, up to 250 SensoIRIS devices
- **Redundant network module** - Optional module for RS485 redundant network
- **SensoIRIS Series** - Addressable detectors, call points, modules and sounders
- **IRIS/ SIMPO Repeater** - Repeater panel for visualizing the information from one or connected in network panels
- **IRIS PS72** - Back-up power supply unit in a metal box, suitable for building up a modular structure with IRIS PRO
- **IRIS Printer** - Thermal printer in a metal box, suitable for building up a modular structure with IRIS PRO
- **Observer** - Monitoring Software

● Contact Information:

Teletek Electronics JSC
14A Srebarna Str, 1407 Sofia, Bulgaria

Tel.: +359 2 9694 800
Fax: +359 2 9625 213

info@teletek-electronics.bg
www.teletek-electronics.com