

General

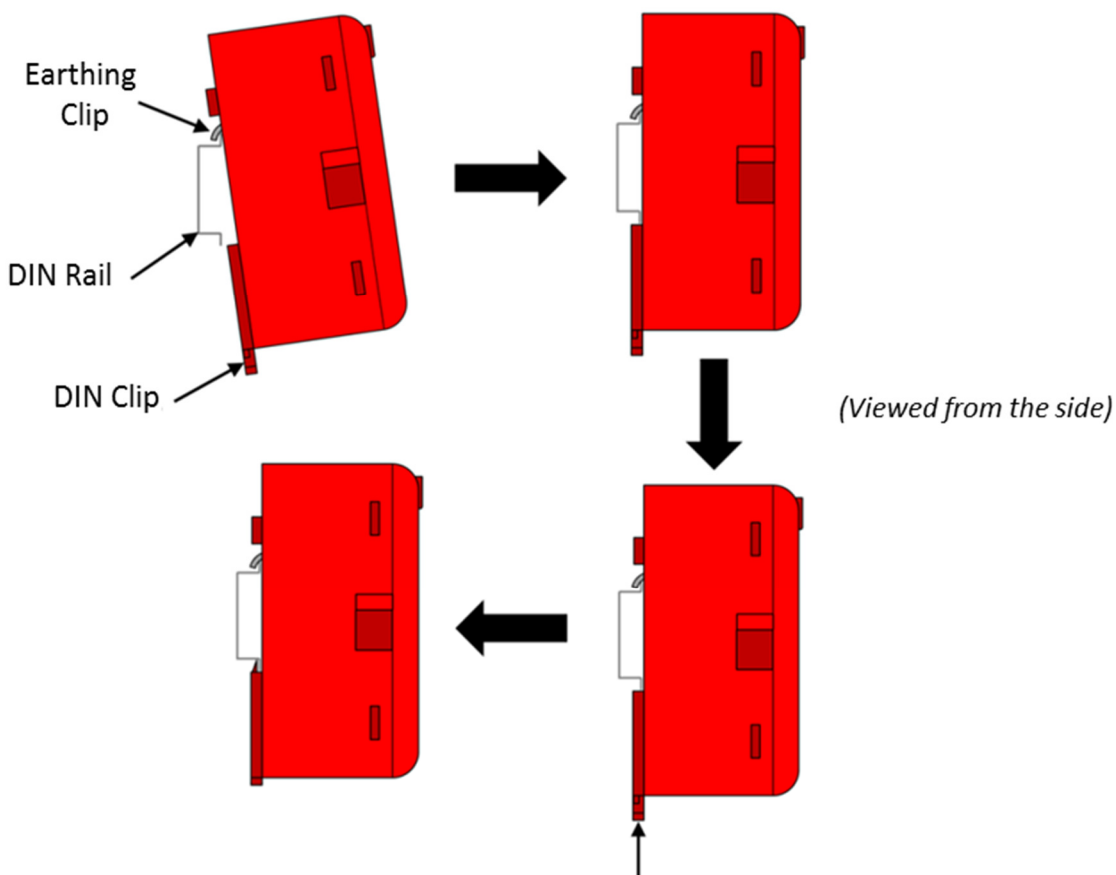
The VL-MRM is a relay module that is designed to be DIN mounted inside of a Velocity control panel. It's powered and is interfaced to the Velocity MMP via a RJ45 connection. The module has three form C relays which can be typically used to control lift operation during an alarm, start fire pumps or stop ventilation fans etc. Each relay output can be configured as a common alarm, common trouble, common supervisory or a programmable output via the Velocity MMP settings.

Installation

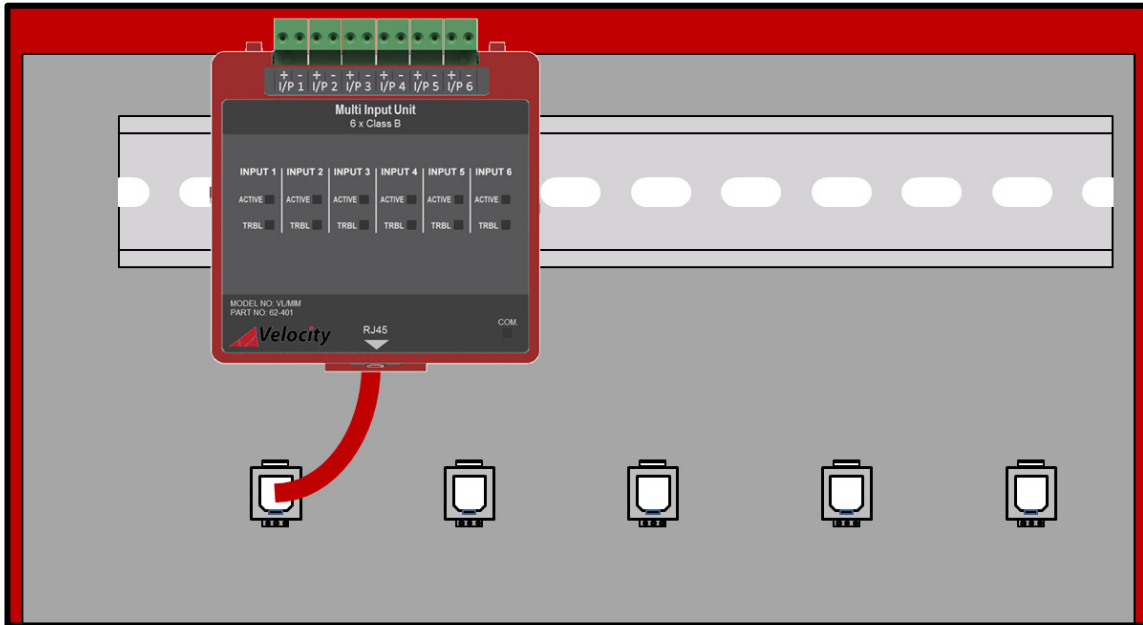


ATTENTION: THE PANEL MUST BE POWERED DOWN, AND DISCONNECTED FROM THE BATTERIES BEFORE INSTALLING OR REMOVING ANY MODULES.

1. Ensure that the installation area is free from any cables or wires that may get caught, and that there is enough space on the DIN rail to mount the module. Also ensure that the DIN clip underneath the module is in the open position.
2. Place the module onto the DIN rail, hooking the metal earth clip underneath onto the rail first.
3. Once the earth clip is hooked, push the bottom of the module onto the rail so that the module sits flat.
4. Push the plastic DIN clip (located at the bottom of the module) upwards to lock and secure the module into position.



5. Once the module is secured to the DIN rail, simply connect the supplied CAT5E cable to the module's RJ45 port.
6. Connect the other end of CAT5E cable to the nearest unoccupied RJ45 port on the termination PCB.



TRM RJ45 Port Address Designation

Each RJ45 port on the Velocity termination has its own unique port address. This port address is important to keep note of as it is displayed on Alarm/Trouble messages and is used when configuring or setting up cause and effects on the panel (See Velocity MMP operation manual GLT-261-7-2).

Securing the modules

The modules are designed to clip together to make them more secure. In addition, the MMP panel is supplied with Din rail stoppers. These should be fitted before the first module, and after the last module on each rail.


Before Powering the Panel On

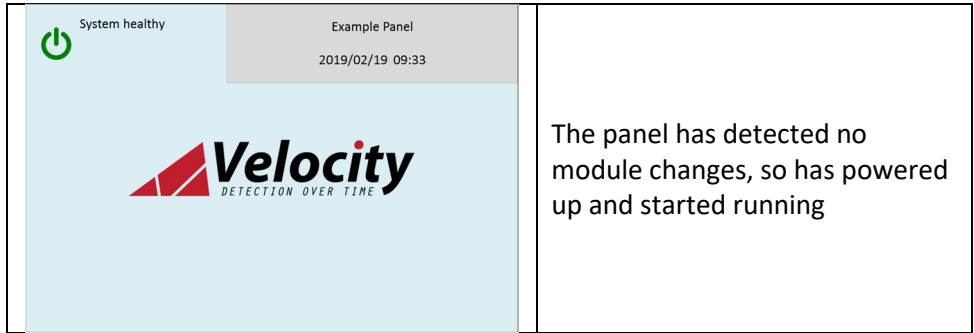
1. To prevent the risk of a spark, do not connect the batteries. Only connect the batteries after powering on the system from its main AC supply.
2. Check that all external field wiring is clear from any open, shorts and ground faults.
3. Check that all the modules have been installed properly, with correct connections and placement
4. Check that all switches and jumper links are at their correct settings.
5. Check that all interconnection cables are plugged in properly, and that they are secure.
6. Check that the AC power wiring is correct.
7. Ensure that the panel chassis has been correctly earth grounded (See NFPA 70).

Before powering on from the main AC supply, make sure that the front panel door is closed

Power on Procedure

1. After the above has been completed, turn the panel on (Via AC Only). The panel will follow the same power up sequence described in initial power up section above
2. The panel will now display one of the following messages

Message	Meaning										
 <p style="text-align: center;">No Modules</p>	<p>Panel has not detected any modules fitted during its power up check.</p> <p>Power down the panel and check that the expected modules are fitted, and that all module cables are correctly inserted.</p> <p>Note that the panel will need at least one module fitted to run.</p>										
<table border="1" style="width: 100%; border-collapse: collapse;"> <tr> <td style="width: 5%;">001</td> <td style="background-color: #00FF00;">New module : SOUNDER CLASS A</td> </tr> <tr> <td>002</td> <td>Empty port</td> </tr> <tr> <td>003</td> <td>Empty port</td> </tr> <tr> <td>004</td> <td>Empty port</td> </tr> <tr> <td>005</td> <td>Empty port</td> </tr> </table> <p style="text-align: center;"> ✓ ▽ ▲ </p>	001	New module : SOUNDER CLASS A	002	Empty port	003	Empty port	004	Empty port	005	Empty port	<p>The panel has detected a new module added to a port that was previously empty.</p> <p>This is the usual message seen the first time a panel is configured</p>
001	New module : SOUNDER CLASS A										
002	Empty port										
003	Empty port										
004	Empty port										
005	Empty port										
<table border="1" style="width: 100%; border-collapse: collapse;"> <tr> <td style="width: 5%;">001</td> <td style="background-color: #FFFF00;">Changed module : SOUNDER CLASS A</td> </tr> <tr> <td>002</td> <td>Empty port</td> </tr> <tr> <td>003</td> <td>Empty port</td> </tr> <tr> <td>004</td> <td>Empty port</td> </tr> <tr> <td>005</td> <td>Empty port</td> </tr> </table> <p style="text-align: center;"> ✓ ▽ ▲ </p>	001	Changed module : SOUNDER CLASS A	002	Empty port	003	Empty port	004	Empty port	005	Empty port	<p>The panel has detected a different type of module fitted to a port that was previously occupied.</p>
001	Changed module : SOUNDER CLASS A										
002	Empty port										
003	Empty port										
004	Empty port										
005	Empty port										
<table border="1" style="width: 100%; border-collapse: collapse;"> <tr> <td style="width: 5%;">001</td> <td style="background-color: #FFFF00;">Serial Number Changed : LOOP</td> </tr> <tr> <td>002</td> <td>Empty port</td> </tr> <tr> <td>003</td> <td>Empty port</td> </tr> <tr> <td>004</td> <td>Empty port</td> </tr> <tr> <td>005</td> <td>Empty port</td> </tr> </table> <p style="text-align: center;"> ✓ ▽ ▲ </p>	001	Serial Number Changed : LOOP	002	Empty port	003	Empty port	004	Empty port	005	Empty port	<p>The panel has detected a module fitted to a port that is the same type, but it's serial number has changed.</p> <p>This could happen if a loop module was swapped with another one, for example.</p>
001	Serial Number Changed : LOOP										
002	Empty port										
003	Empty port										
004	Empty port										
005	Empty port										
<table border="1" style="width: 100%; border-collapse: collapse;"> <tr> <td style="width: 5%;">001</td> <td style="background-color: #FFFF00;">Removed Module : LOOP</td> </tr> <tr> <td>002</td> <td>Empty port</td> </tr> <tr> <td>003</td> <td>Empty port</td> </tr> <tr> <td>004</td> <td>Empty port</td> </tr> <tr> <td>005</td> <td>Empty port</td> </tr> </table> <p style="text-align: center;"> ✓ ▽ ▲ </p>	001	Removed Module : LOOP	002	Empty port	003	Empty port	004	Empty port	005	Empty port	<p>The panel has detected no module fitted to a port that was previously occupied.</p>
001	Removed Module : LOOP										
002	Empty port										
003	Empty port										
004	Empty port										
005	Empty port										

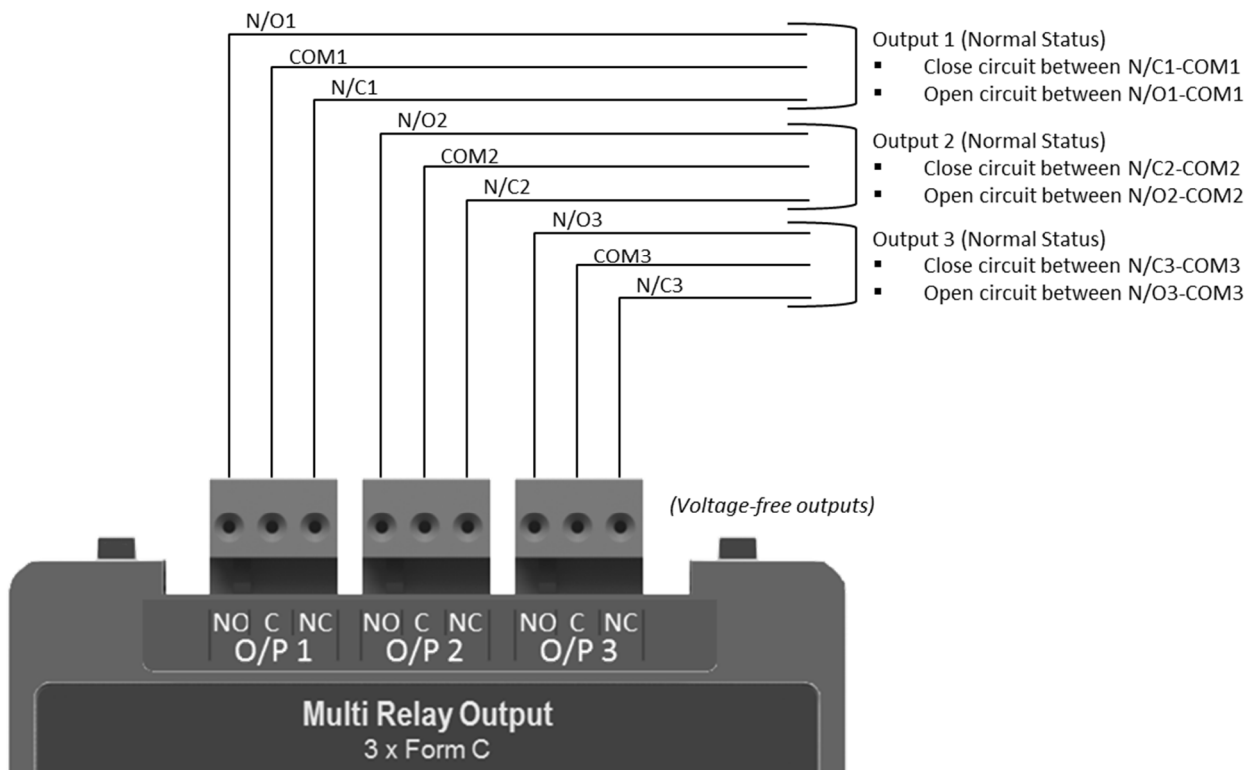


1. Check that the module configuration is as expected using the ▲ and ▼ to navigate the through the port numbers. Press the ✓ icon to confirm the changes.
2. The new module is now configured into the panel and is ready for use.
3. Since the batteries are not connected, the panel will report them as removed, lighting the yellow “Trouble” LED, intermittently sounding the trouble buzzer, and displaying battery removed message on the screen.
4. Connect the batteries, ensuring that the polarity is correct (Red wire = +ve) & (Black wire = -ve). Acknowledge the trouble event via the display screen, and reset the panel to clear the battery fault.
5. The panel should now remain in the normal condition, and you can configure the panel as normal.

Field Wiring

NOTE: The terminal blocks are removable to make wiring easier.

ATTENTION: DO NOT EXCEED POWER SUPPLY RATINGS, OR MAXIMUM CURRENT RATINGS.



Front Unit LED Indications

LED Indication	Description
Activated (Red)	On steady when the relay is active for each relay.
Com. (Green)	Pulses to show communication between the module and the motherboard.



NOTE: When an MRM relay is configured as an alarm output, it will act as a common alarm relay, and cannot be controlled by cause and effect.

Specifications

Specification	VL-MRM
Part Number	62-410
Design Standard	UL864 10 th Edition
Approval	UL Laboratories
Supply Voltage	24VDC Nominal
Quiescent current	15mA*
Alarm Current	96mA max (27mA per active relay)
Relay Type	Form C x 3
Switching Capacity	5 A, 30 VDC (resistive) / 2.5 A, 30 VDC, 0.6 PF 5 A, 250 VAC (general use) / 2.5 A, 250 VAC, 0.6 PF
Operating Temperature	0°C (32°F) to 49°C (120°F)
Max Humidity	93% Non-Condensing
Size (mm) (HxWxD)	103mm x 97mm x 46mm
Weight	0.2KG
Recommended Cable Sizes	18 AWG to 14 AWG (0.8mm ² to 2.5mm ²)
Relay Modes	Common alarm, Common trouble, Common supervisory or Programmable

***Note that a relay set as trouble will be normally powered, turning off when there is a trouble condition.**