

STANDARD DETECTOR MOUNTING 6" BASE

VDOT-UB4-6



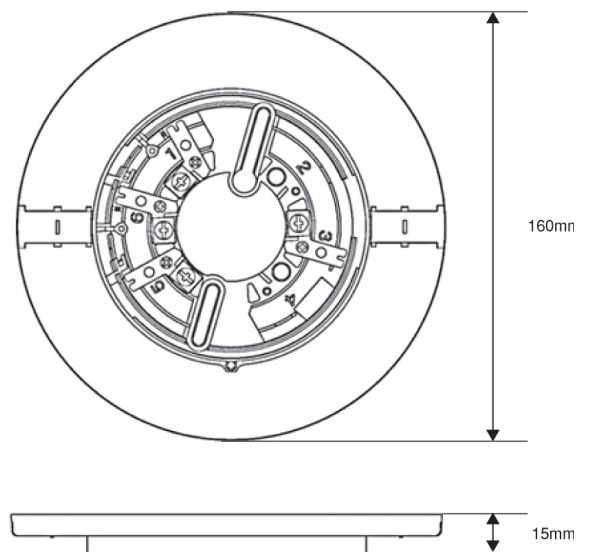
Features

- UL Listed Base
- Compatible to Velocity's UL Listed detectors
- Available to cover the mounting holes
- Contains a locking screw for tamper protection
- 4 terminals to be used depending on detectors
- Mounts to 3-1/2" octagonal, 4" octagonal, and 4" square electrical boxes

Description

VDOT-UB4-6 Standard Base is a 6 inch mounting base for Velocity's UL listed detectors that can be fitted with 4 inch square electrical box. VDOT-UB4-6 can be used as a board to cover the holes of electrical boxes. The base contains no electrical circuit so that the base is used as a terminal block. The base is supplied with 4 terminals that are used depending on the detector heads. The 12 - 22 AWG field wire can be connected to the terminals. VDOT-UB4-6 contains a locking screw to avoid unauthorized removal of detectors.

Dimensions



Compatible Detector Models

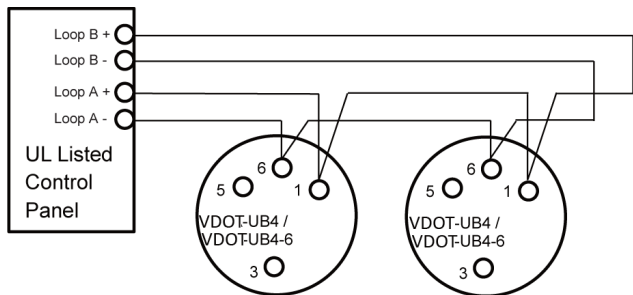
Models	Description
VDOT-PY	Addressable Photoelectric Smoke Detector
VDOT-PYH	Addressable Multisensory Detector
VDOT-H2	Addressable Heat Detector
VDOT-H2-H	Addressable High-temp. Heat Detector
VDOT-DPH	Addressable Dual Optical / Heat Detector



Installation Diagrams

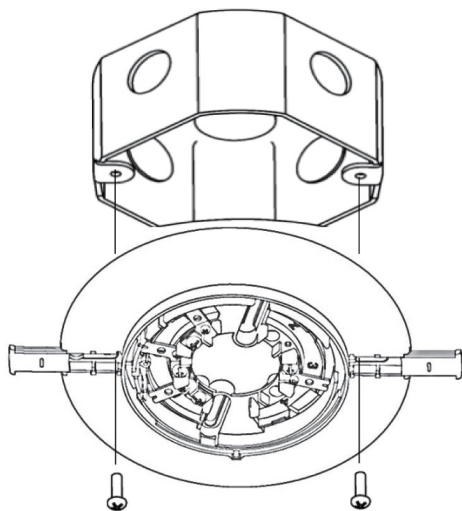
Analog Addressable Wiring

When connected to analog addressable detectors such as VDOT-PY, VDOT-PYH, VDOT-H2, VDOT-DPH, etc.



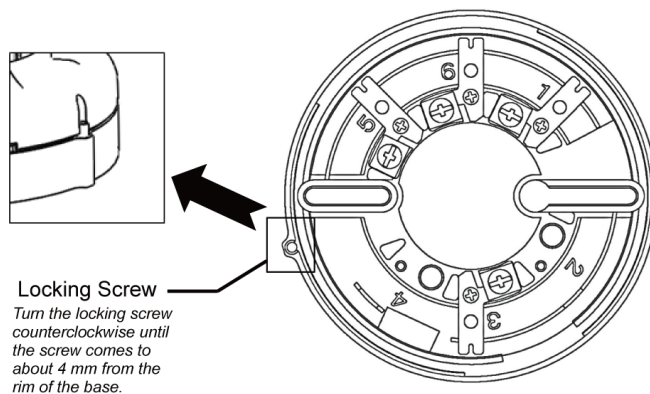
Mounting

VDOT-UB4-6 is designed to be mounted to 3-1/2" and 4" octagonal, and 4" square electrical boxes.



Wiring

VDOT-UB4-6 contains a locking screw to avoid unauthorized removal of detectors.



Specifications

Specifications	VDOT-UB4-6
Operating Temperature	-10°C to +83°C (14°F to 181.4°F)
Storage Temperature	-20°C to +60°C (-4°F to 140°F)
Relative Humidity	≤ RH 95 % non-condensing
Environment	Indoor, dry use only
Terminal	AWG12-22
Dimensions	φ160 mm x H 15 mm
Weight	95 g
Standard	UL268 and UL521

All specifications are subject to change without any notice. For more information, contact with VELOCITY.



Zeta Alarms Limited
72-78 Morfa Road, Swansea
SA1 2EN
Tel: +44 1792 455 175 FAX: +44 1792 455 176

Distributed By