

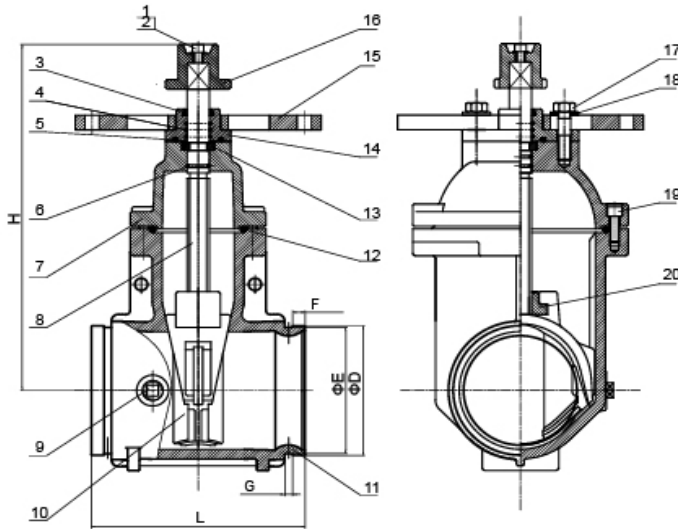
# 300PSI NRS Grooved End Gate Valve

# Model: Z85-300

## Resilient Wedge NRS Gate valve – Grooved End

### Technical Features

- Nominal Pressure: 300PSI
- Groove standard: Metric or ANSI / AWWA C606
- Face to Face Standard: ASME B16.10
- Sizes: 2½", 3", 4", 5", 6", 8", 10", 12"
- Approvals: UL, CUL, FM, NSF / ANSI 61 & NSF / ANSI 372
- Maximum Working Pressure: 300PSI (Maximum Testing Pressure: 600 PSI) conforms to UL262, ULC / ORD C262-92 , FM 1120 / 1130
- Maximum Working Temperature: 80°C / 176°F
- Coating Details: Epoxy coated interior and exterior by Electrostatic Spray or Coating upon request
- NPT plug on body with 2 operating nuts
- Certified lead-free by NSF / ANSI 61 & NSF / ANSI 372 is available



### Dimensions

Size	DN	L	F	D	E	G	H
2½"	65	190	15.9	73	69.1	7.9	292
				76.1	72.3		
3"	80	203	15.9	88.9	84.9	7.9	322
4"	100	229	15.9	114.3	110.1	9.5	342
5"	125	254	15.9	139.7	135.5	9.5	412
				141.3	137		
6"	150	267	15.9	165.1	160.8	9.5	448
				168.3	163.9		
8"	200	292	19	216.3	211.6	11.1	534
				219.1	214.3		
10"	250	330	19	273	268.3	12.7	635
12"	300	356	19	323.9	318.3	12.7	720

### Valve Material List

NO.	Name	Material
1	Flat Washer	Steel 1045 or Stainless Steel 304
2	Hexagon Socket Screw	Steel 1045 or Stainless Steel 304
3	Sealing Ring	EPDM
4	O-Ring	EPDM
5	Sealing Ring	EPDM
6	O-Ring	EPDM
7	Bonnet	Ductile Iron
8	Stem	Stainless Steel 304 or C95400
9	Plug	Stainless Steel 304 or C95400
10	Disc	Ductile Iron +EPDM
11	Body	Ductile Iron
12	Sealing Ring	EPDM
13	Retaining Ring	C95400
14	Gland	Ductile Iron
15	Post Flange	Ductile Iron
16	Wrench Nut	Ductile Iron
17	Bolt	Stainless Steel 304 or Steel 1045
18	Washer	Stainless Steel 304 or Steel 1045
19	Hexagon Socket Screw	Steel 1045 or Stainless Steel 304
20	Stem Nut	CF8 or C95400