

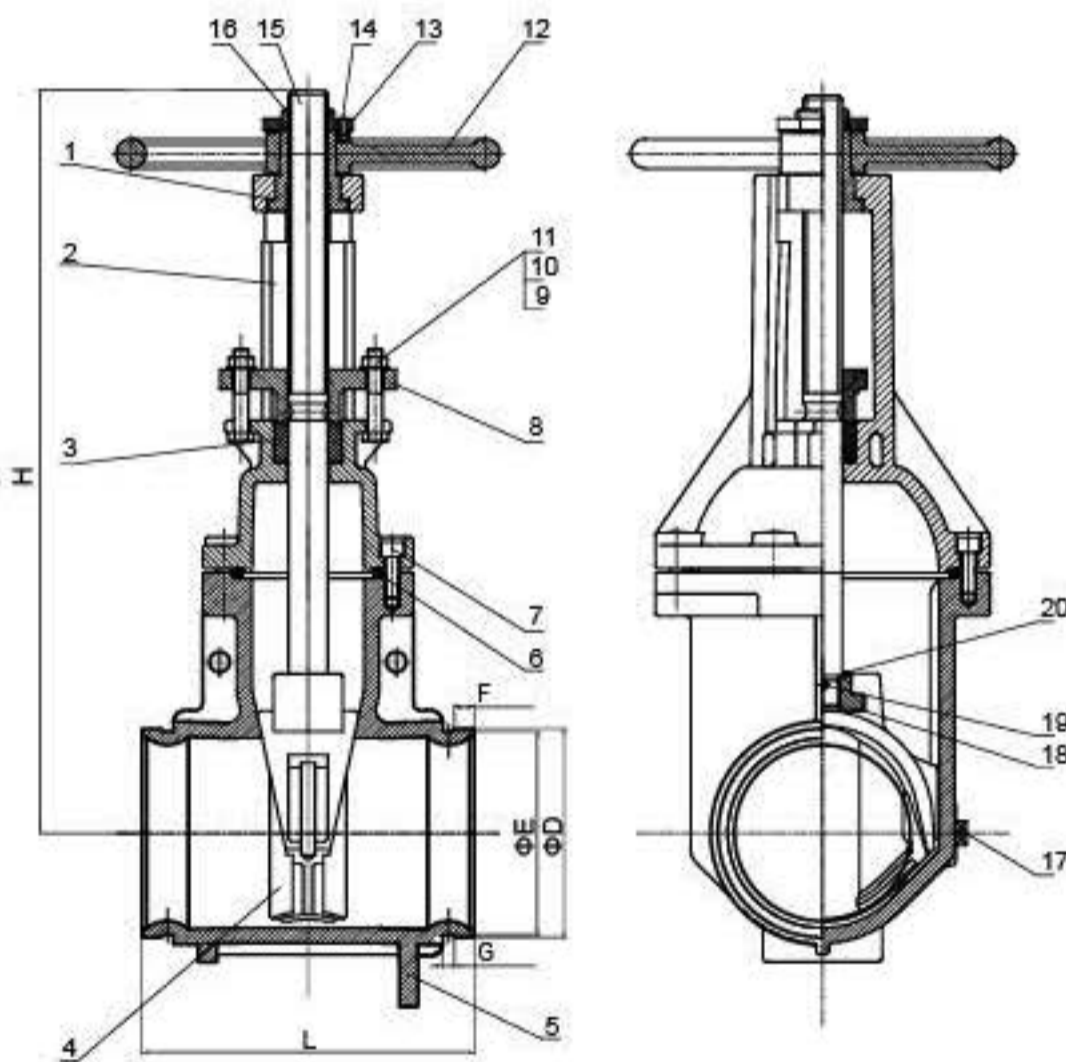
300PSI OS&Y Grooved End Gate Valve

Model: Z81-300

Resilient Wedge OS & Y Gate valve – Grooved End

Technical Features

- Nominal Pressure: 300PSI
- Groove standard: Metric or ANSI / AWWA C606
- Face to Face Standard: ASME B16.10
- Sizes: 2½", 3", 4", 5", 6", 8", 10", 12"
- Approvals: UL, CUL, FM, NSF / ANSI 61 & NSF / ANSI 372
- Maximum Working Pressure: 300PSI (Maximum Testing Pressure: 600 PSI) conforms to UL 262, ULC / ORD C 262-92 , FM 1120 / 1130
- Maximum Working Temperature: 80°C / 176°F
- Coating Details: Epoxy coated interior and exterior by Electrostatic Spray or Coating upon request
- NPT plug on body with 2 operating nuts
- Certified lead-free by NSF / ANSI 61 & NSF / ANSI 372 is available



Valve Material List

NO.	Name	Material
1	Gasket	Stainless Steel 304 or C95400
2	Bonnet	Ductile Iron
3	Packing	Graphite
4	Disc	Ductile Iron +EPDM
5	Body	Ductile Iron
6	Sealing Ring	EPDM
7	Bolt	Stainless Steel 304 or Steel 1045
8	Gland	Ductile Iron
9	Nut	Stainless Steel 304 or Steel 1045
10	Flat Washer	Stainless Steel 304 or Steel 1045
11	Bolt	Stainless Steel 304 or Steel 1045
12	Handwheel	Ductile Iron
13	Lock Nut	C95400
14	Locating Screw	Stainless Steel 304 or Steel 1045
15	Stem	Stainless Steel 304 or C95400
16	Stem Nut	C95400
17	Plug	C95400
18	Lifting Nut	CF8/CF8M or C95400
19	Pin	Stainless Steel 304
20	Sealing Ring	EPDM

Dimensions

Size	DN	L	F	D	E	G	H
2½"	65	190	15.9	73	69.1	7.9	370
				76.1	72.3		
3"	80	203	15.9	88.9	84.9	7.9	420
4"	100	229	15.9	114.3	110.1	9.5	447
5"	125	254	15.9	139.7	135.5	9.5	547
				141.3	137		
6"	150	267	15.9	165.1	160.8	9.5	607
				168.3	163.9		
8"	200	292	19	216.3	211.6	11.1	754
				219.1	214.3		
10"	250	330	19	273	268.3	12.7	890
12"	300	356	19	323.9	318.3	12.7	1031