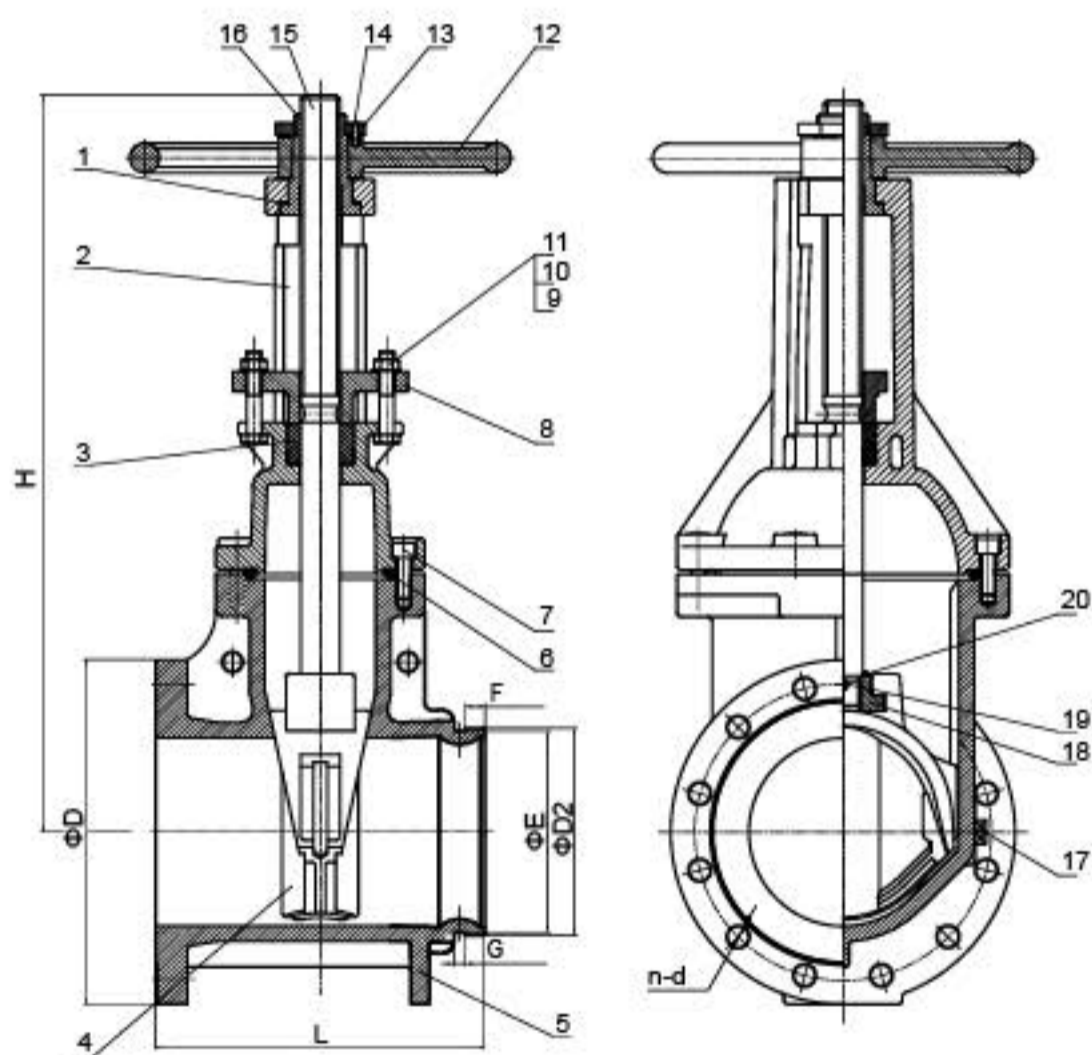


Resilient Wedge OS & Y Gate valve – Flanged x Grooved End

Technical Features

- Nominal Pressure: 300PSI
- Face to Face Standard: ASME B16.10
- Sizes: 2½", 3", 4", 5", 6", 8", 10", 12"
- Flange Standard: ASME / ANSI B16.1 Class 125 or ASME / ANSI B16.42 Class 150 or BS EN1092-2 PN16 or GB / T9113.1
- Groove Standard: Metric or ANSI / AWWA C606
- Approvals: UL, CUL, FM, NSF / ANSI 61 & NSF / ANSI 372
- Maximum Working Pressure: 300PSI (Maximum Testing Pressure: 600 PSI) conforms to UL262, ULC / ORD C262-92 , FM 1120 / 1130
- Maximum Working Temperature: 80°C / 176°F
- Coating Details: Epoxy coated interior and exterior by Electrostatic Spray or Coating upon request
- NPT plug on body with 2 operating nuts
- Certified lead-free by NSF / ANSI 61 & NSF / ANSI 372 is available



Dimensions

Size	DN	L	D	F	D2	E	G	H
2½"	65	190	178	15.9	73	69.1	7.9	370
					76.1	72.3		
3"	80	203	191	15.9	88.9	84.9	7.9	420
4"	100	229	229	15.9	114.3	110.1	9.5	447
5"	125	254	254	15.9	139.7	135.5	9.5	547
					141.3	137		
6"	150	267	279	15.9	165.1	160.8	9.5	607
					168.3	163.9		
8"	200	292	343	19	216.3	211.6	11.1	754
					219.1	214.3		
10"	250	330	406	19	273	268.3	12.7	890
12"	300	356	483	19	323.9	318.3	12.7	1031

Valve Material List

NO.	Name	Material
1	Gasket	Stainless Steel 304 or C95400
2	Bonnet	Ductile Iron
3	Packing	Graphite
4	Disc	Ductile Iron +EPDM
5	Body	Ductile Iron
6	Sealing Ring	EPDM
7	Bolt	Stainless Steel 304 or Steel 1045
8	Gland	Ductile Iron
9	Nut	Stainless Steel 304 or Steel 1045
10	Flat Washer	Stainless Steel 304 or Steel 1045
11	Bolt	Stainless Steel 304 or Steel 1045
12	Handwheel	Ductile Iron
13	Lock Nut	C95400
14	Locating Screw	Stainless Steel 304 or Steel 1045
15	Stem	Stainless Steel 304 or C95400
16	Stem Nut	C95400
17	Plug	C95400
18	Lifting Nut	CF8 or C95400
19	Pin	Stainless Steel 304
20	Sealing Ring	EPDM