

ELECTRIC BOLT BALL BOLT

● SPECIFICATIONS AND TECHNICAL DETAILS

● DIMENSIONS :

BODY : 230mmLx38mmWx42mmD

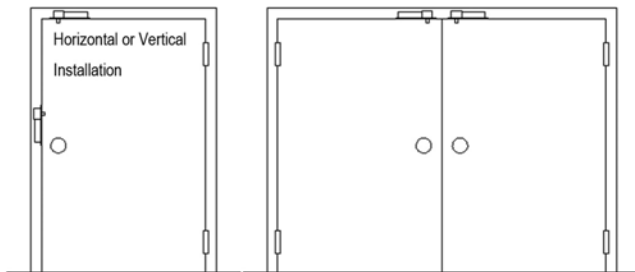
FACE PLATE : 230mmLx38mmWx3mmD

STRIKE PLATE : 115mmLx30mmWx3mmD

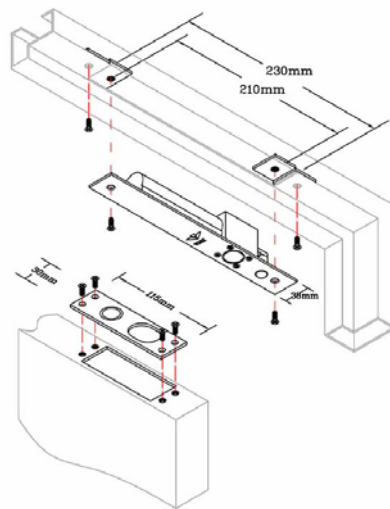
- CURRENT DRAW : 1A / 12VDC (PULL-IN CURRENT)
- HOLDING CURRENT : 0.3A / 12VDC
- VOLTAGE : 12VDC / 24VDC
- OPTIONS : WITH LOCK AND DOOR STATUS SENSOR
- FAIL-SAFE : LOCKED WHEN ENERGIZED
- AUTO-RELOCK JUMPER
- BUILT-IN VOLTAGE SPIKE SUPPRESSOR
- CE APPROVED
- UL LISTED



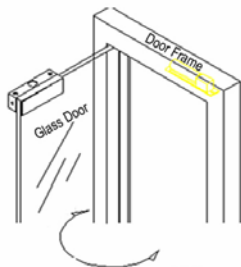
■ SUGGESTED INSTALLATION POSITIONS



■ TYPICAL INSTALLATION



■ APPLICATIONS



SPRINT RESERVES THE RIGHT TO CHANGE SPECIFICATIONS WITHOUT NOTICE.