

# 300PSI Flanged Swing Check Valve

# Model: MH-XQH-300

## Flanged End

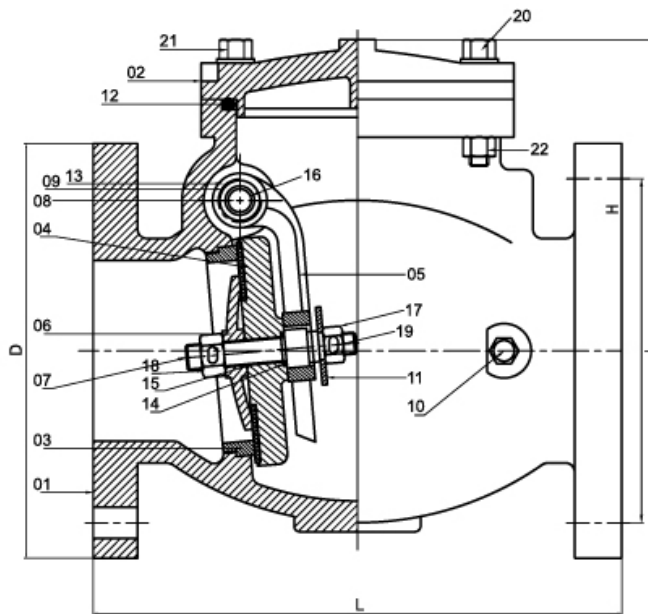
### Technical Features

- Nominal Pressure: 300PSI
- Conforms: AWWA C508
- Flange Standard: ASME / ANSI B16.1 Class 125 or ASME / ANSI B16.42 Class 150 or BS EN1092-2 PN16 or GB / T9113.1
- Sizes: 2", 2½", 3", 4", 5", 6", 8", 10", 12"
- Face to Face Standard: ASME B16.10
- Approvals: UL, FM
- Maximum Working Pressure: 300PSI (Maximum Testing Pressure: 600PSI) conforms to UL 312 & FM class 1210
- Working Temperature: 80°C / 176°F
- Coating Details: Epoxy coated interior and exterior by Electrostatic Spray or coating upon request
- Applications:  
Used both vertically and horizontally;  
Used in one-way flow pipeline to prevent the water from back flow



### Valve Material List

NO.	Name	Material
1	Body	Ductile Iron
2	Bonnet	Ductile Iron
3	Seat Ring	C95400
4	Disc	Ductile Iron+EPDM
5	Rocker Arm	Ductile Iron
6	Baffle Plate	C95400
7	Middle Stem	Stainless Steel 304
8	Stem	Stainless Steel 304
9	Bracket Screw	Stainless Steel 304
10	Plug	C95400
11	Gasket	Stainless Steel 304
12	O-ring	EPDM
13	O-ring	EPDM
14	O-ring	EPDM
15	O-ring	EPDM
16	Bronze Bushing	Powder Metallurgy
17	Nut	Stainless Steel 304
18	Nut	Stainless Steel 304
19	Cotter Pin	Stainless Steel 304
20	Bolt	Steel 1045
21	Bolt	Steel 1045
22	Nut	Steel 1045



### Dimensions

Size	DN	L	D	H
2"	DN50	203	152	142
2½"	DN65	216	178	148
3"	DN80	241	191	163.5
4"	DN100	292	229	172
5"	DN125	330	254	237
6"	DN150	356	279	233
8"	DN200	495	343	301
10"	DN250	622	406	348
12"	DN300	698	483	419