

Accessory Enclosure

Installation, Commissioning and Maintenance Instructions

The Accessory enclosure enables flammable gas detectors with a pellistor mV bridge output to be connected to Gasmaster or any other 4-20mA control panel. These instructions refer to Crowcon's Gasmaster system, but can be used as guidance for any similar control system. Other 4-20mA type gas detectors or fire detectors should be connected directly to the Gasmaster panel.

The Accessory Enclosure contains between 1 and 4 sensor amplifier PCB's which convert the sensor mV bridge signal to a 4-20mA signal which can be monitored by the control panel. The amplifier PCB's are designed for use with catalytic beads rated at 2V dc 300mA (approx).

To enable an Accessory Enclosure to be used, the Gasmaster must be fitted with the appropriate connector and wiring loom. If the connector was not fitted when the Gasmaster system was ordered, it can be purchased and fitted at a later date (see spare parts and accessories section for the part number).

1. Installation

The Accessory Enclosure should be fixed to a wall adjacent to the control system using the 6mm (1/4") mounting holes provided. The enclosure is supplied with a 75cm (3') lead fitted for simple connection to the Gasmaster panel. The flammable gas detectors should be connected directly to the Accessory Enclosure as shown in Figure 2. An earth continuity plate is fitted for bonding cable glands.

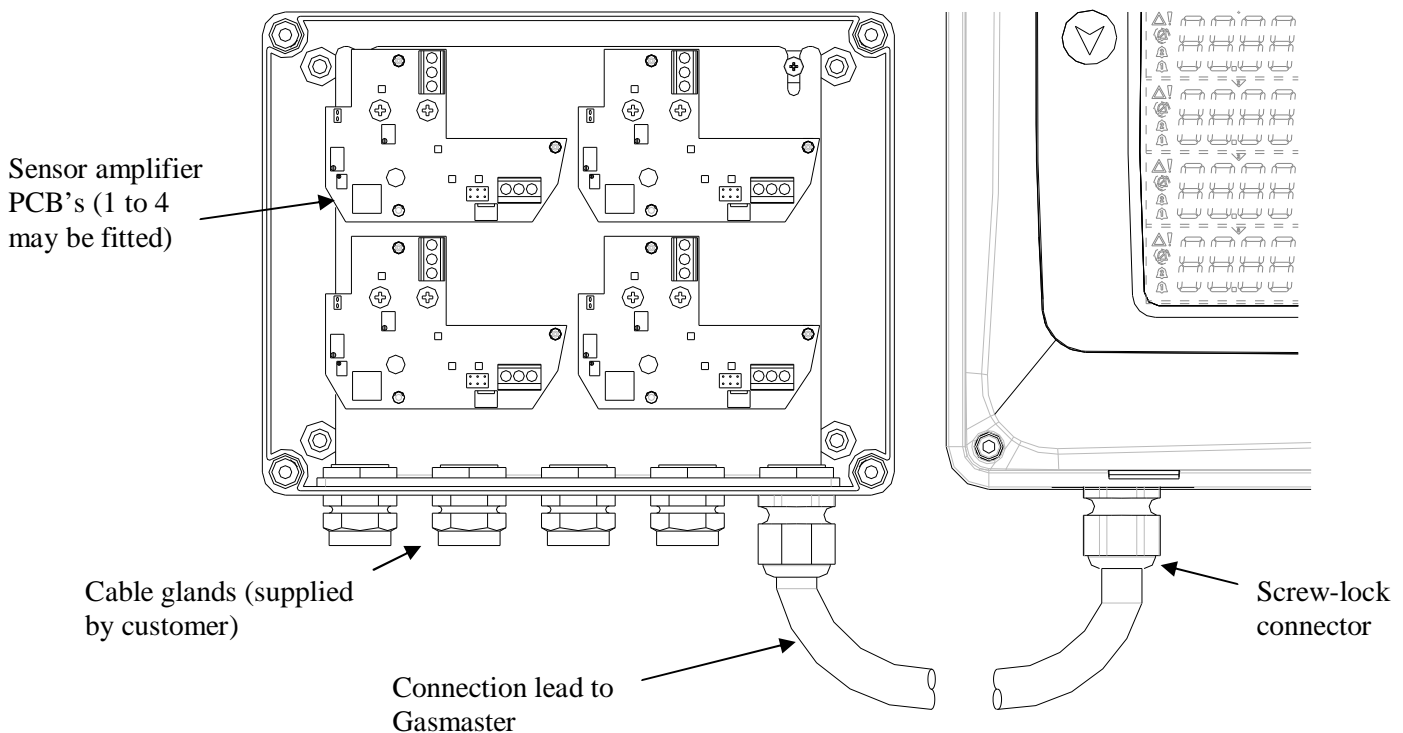


Figure 1 Accessory Enclosure Layout

M07642
 Issue 4
 January 2015

Connecting Detectors

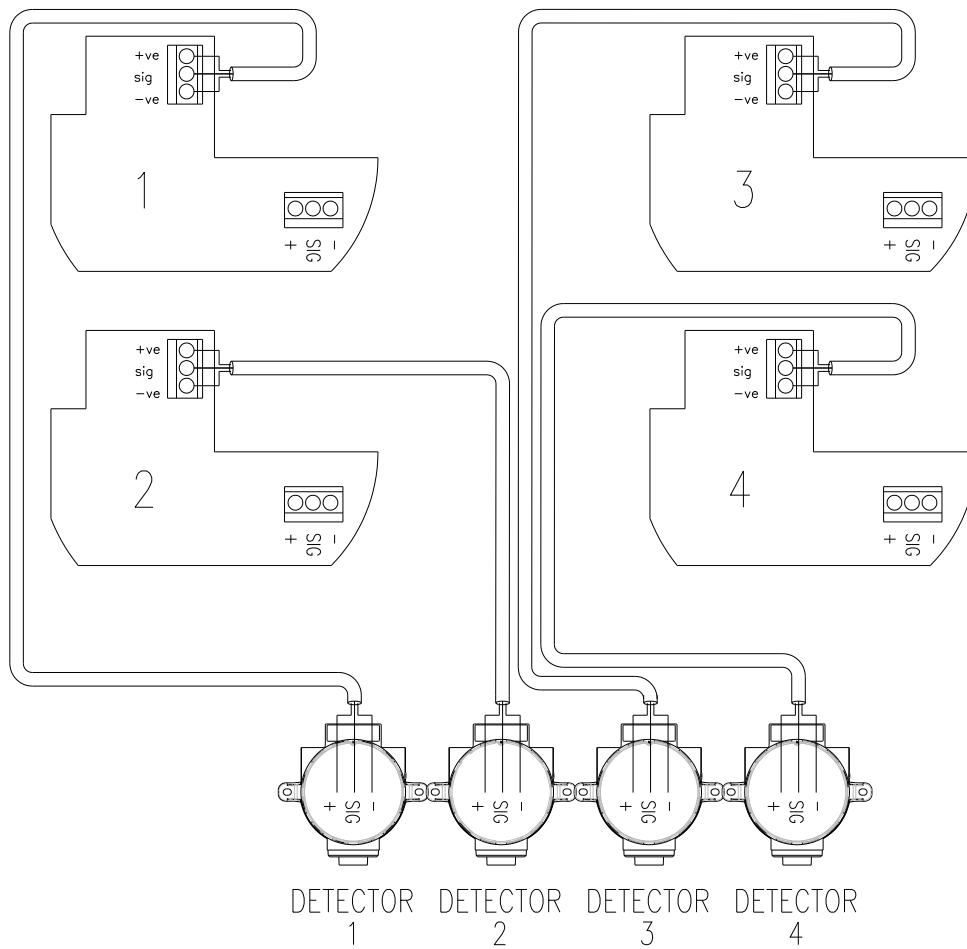


Figure 2 Accessory Enclosure Wiring

Warning: The Accessory Enclosure is designed only for use with 24Vdc 4-20mA control systems, on no account must mains voltages be applied to the product.

Connect the positive, signal and negative terminals of the detector to the corresponding terminals of the appropriate Accessory Enclosure amplifier PCB using cable with a minimum core size of 1.0mm² (2.5mm² maximum). Crowcon recommend the use of steel wire armoured cable, but other cables types may be used provided appropriate standards are met.

Important: please note the correct polarity of the detector and the amplifier PCB, ensure that connections are made as shown in Figure 2 (i.e. +ve to +ve, -ve to -ve, sig to sig). If Crowcon's Xgard Type 3 detectors are to be connected to the accessory enclosure please ensure connections within to the Xgard PCB are made with the polarity shown above (the Xgard -ve terminal is top, the +ve terminal is bottom). Remove and disregard labels that may be fitted to the detector PCB showing an inverted polarity.

Four detector cable holes are provided for M20 or ½"NPT cable glands. Gland holes are accessed by removing the blanking plugs. Cables screens should be earthed using the grounding plate fitted inside the Accessory Enclosure. The amplifier PCB's are designed to allow detectors to be fitted up to 1km (0.6 miles) from the Accessory Enclosure.

2. Commissioning

The following procedures should be repeated for each detector connected to the Accessory Enclosure.

1. When the detector has been connected, ensure that the 'Head Volt' potentiometer VR5 (see figure 3) on the amplifier PCB is set to its fully clockwise position (a clicking sound will be heard when the potentiometer travel is at its limit). This will ensure excessive voltage is not applied to the detector when power is applied.
2. Connect the Accessory Enclosure lead to the Gasmaster panel and apply power.
3. Access the detector and measure the voltage between the '+' and '-' terminals, adjust VR5 on the amplifier PCB until 2Vdc +/- 0.1Vdc is obtained at the detector.
4. Leave the sensor to stabilise for 1 hour.
5. The amplifier must be balanced to achieve correct operation. Connect a volt meter set to the mV range to test points T1 (see figure 3), and adjust VR4 until the meter reads '0.00mV'. Re-connect the test leads to test points TP3 and TP4 and adjust VR3 until the meter reads '0.00mV'. the detector and amplifier are now balanced

Zeroing the detector

6. Connect a volt meter to the test points marked 'TP1' and 'TP2' (see figure 3). **Ensure the detector is in clean air** and adjust the potentiometer marked ZERO (VR1) so that the meter reads 40mV. Check the Gasmaster channel display reads zero, if adjustment is required follow the instructions given in the Gasmaster manual.

Calibrating the detector (ensure the Gasmaster is inhibited prior to calibration to prevent false alarms and/or shutdowns).

7. With the volt meter still connected to the test points marked 'TP1' and 'TP2' and apply 50% LEL calibration gas to the detector at a flow rate of 0.5 to 1 litre per minute. Allow the gas reading to stabilise (usually 30 to 60 seconds) and adjust the potentiometer marked CAL (VR2) so that the meter reads 120mV. Check that the Gasmaster display reads 50% LEL, if adjustment is required follow the instructions given in the Gasmaster manual. Remove the gas and ensure the reading returns to zero.

Note: If the gas reading appears to go negative when gas is applied it is highly likely that the detector '+' and '-' connections are inverted. Reverse the connections and re-balance, zero and calibrate the detector. Once calibration is complete on all sensors the Accessory Box can be closed and the Gasmaster should be taken out of inhibit state.

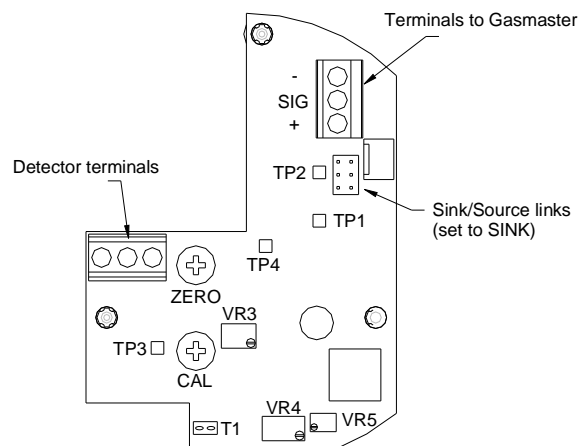


Figure 3 Amplifier PCB Layout

3. Maintenance

Detectors connected via an Accessory Enclosure should be calibrated and maintained in accordance with the instructions provided with them. As a minimum Crowcon recommends that detectors are tested every six months and re-calibrated as necessary.

All alarm output functions from the control panel should be verified on a six-monthly basis, and connections between the Accessory Enclosure and the detectors and control panel should be checked to ensure they are secure.

4. Specifications

Part Numbers (compatible with Xgard Type 3 and Xsafe mV):

C01919: Single amplifier PCB

C01920: Two amplifier PCB's

C01921: Three amplifier PCB's

C01922: Four amplifier PCB's

Electrical Data

Certification:	NOT CERTIFIED FOR USE IN A HAZARDOUS AREA
Operating voltage:	3 wire, 18 - 30Vdc (24V nominal)
Current consumption:	50mA per detector
Detector input:	Catalytic Beads 2Vdc (nominal) 300mA Signal: 10-20mV per % CH4 typical
Maximum detector cable length:	1km (0.6 miles) using 1.0mm ² (17AWG) cable
Output:	4~20mA (link selectable as sink or source) Maximum loop resistance in source mode is 450R
Fault signal:	<3mA

Mechanical Data

Dimensions:	220mm (8.6") x 168mm (6.6") x 107mm (4.2")
Weight:	1.5Kg (3.3lbs) approx.
Mounting:	Four 6mm (1/4") mounting holes at 130mm (5.1") x 180mm (7.1") centres

Environmental Data

Ingress protection:	Indoor use only
Humidity:	0 ~95% RH (non-condensing)
Temperature:	-10 ~ +50°C (14 to 122° F)

Spare Parts and Accessories

Amplifier PCB:	S011753/2
Connector loom (for fitment to a control panel)	E07632

5. Warranty

Warranty Statement

This equipment leaves our works fully tested and calibrated. If within the warranty period of one year, the equipment is proved to be defective by reason of faulty workmanship or material, we undertake at our discretion either to repair or replace it free of charge, subject to the conditions below.

Warranty Procedure

To facilitate efficient processing of any claim, contact our customer support team on 01235 557711 with the following information:

Your contact name, phone number, fax number and email address.

Description and quantity of goods being returned, including any accessories.

Instrument serial number(s).

Reason for return.

Obtain a Returns form for identification and traceability purpose. This form may be downloaded from our website 'crowconsupport.com', along with a returns label, alternatively we can 'email' you a copy.

Instruments will not be accepted for warranty without a Crowcon Returns Number ("CRN"). It is essential that the address label is securely attached to the outer packaging of the returned goods.

Units returned to Crowcon as faulty and are subsequently found to be 'fault free' or requiring service, may be subject to a handling and carriage charge.

Warranty Disclaimer

The guarantee will be rendered invalid if the instrument is found to have been altered, modified, dismantled, or tampered with. Any service by 3rd parties **not** authorized & certified by Crowcon will invalidate the warranty on the equipment. Use of alternative manufacturer's sensors which have not been approved by Crowcon will invalidate the warranty of the product as a whole. The warranty does not cover misuse or abuse of the unit.

Any warranty on batteries may be rendered invalid if an unreasonable charging regime is proven.

Crowcon accept no liability for consequential or indirect loss or damage howsoever arising (including any loss or damage arising out of the use of the instrument) and all liability in respect of any third party is expressly excluded.

The warranty and guarantee does not cover the accuracy of the calibration of the unit or the cosmetic finish of the product. The unit must be maintained in accordance with the Operating and Maintenance Instructions.

Our liability in respect of defective equipment shall be limited to the obligations set out in the guarantee and any extended warranty, condition or statement, express or implied statutory or otherwise as to the merchantable quality of our equipment or its fitness for any particular purpose is excluded except as prohibited by statute. This guarantee shall not affect a customer's statutory rights.

For warranty and technical support enquiries please contact:

Customer Support
Tel +44 (0) 1235 557711
Fax +44 (0) 1235 557722
Email: customersupport@crowcon.com



A HALMA COMPANY

© Crowcon Detection Instruments Ltd 2015

UK Office
Crowcon Detection Instruments Ltd
172 Brook Drive,
Milton Park,
Abingdon
Oxfordshire OX14 4SD
Tel: +44 (0)1235 557700
Fax: +44 (0)1235 557749
Email: sales@crowcon.com
Website: www.crowcon.com

USA Office
Crowcon Detection Instruments Ltd
1455 Jamike Ave, Suite 100
Erlanger
Kentucky 41018
Tel: +1 859 957 1039 or
1 800 527 6926
Fax: +1 859 957 1044
Email: salesusa@crowcon.com
Website: www.crowcon.com

Netherlands Office
Crowcon Detection Instruments Ltd
Vlambloem 129
3068JG
Rotterdam
Netherlands
Tel: +31 10 421 1232
Fax: +31 10 421 0542
Email: eu@crowcon.com
Website: www.crowcon.com

Singapore Office
Crowcon Detection Instruments Ltd
Block 194 Pandan Loop
~06-20 Pantech Industrial Complex
Singapore 128383
Tel: +65 6745 2936
Fax: +65 6745 0467
Email: sales@crowcon.com.sg
Website: www.crowcon.com

China Office
Crowcon Detection Instruments Ltd (Beijing)
Unit 316, Area 1, Tower B, Chuangxin Building
12 Hongda North Road, Beijing Economic Technological Development Area
Beijing, China 100176
Tel: +86 10 6787 0335
Fax: +86 10 6787 4879
Email: saleschina@crowcon.cn
Website: www.crowcon.com

Crowcon reserves the right to change the design or specification of this product without notice.