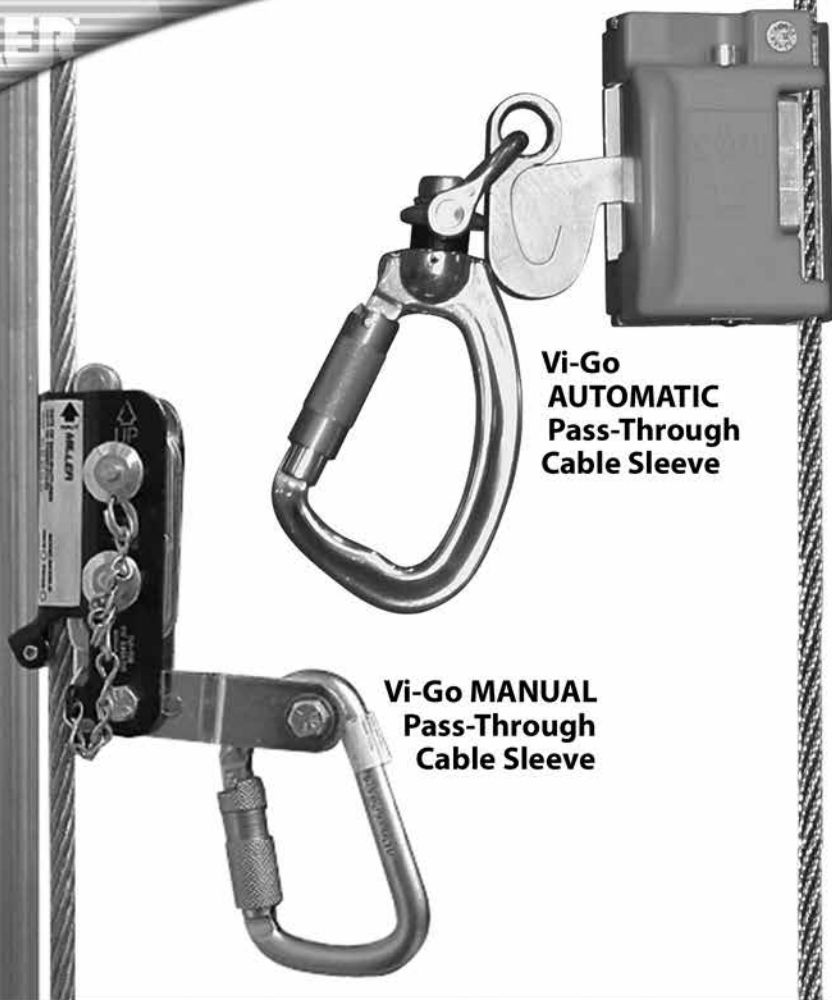


MILLER[®]

by Honeywell



**Vi-Go
AUTOMATIC
Pass-Through
Cable Sleeve**

**Vi-Go MANUAL
Pass-Through
Cable Sleeve**

Vi-Go Cable Sleeves

User Instruction Manual

Manuel D'utilisation / Manual de Instrucciones para El Usuario

Table of Contents

1.0 Purpose.....	3
1.1 Cable Sleeve Models	
2.0 General Requirements, Warnings and Limitations.....	4-5
2.1 General Fall Protection Warnings	
2.2 Cable Sleeve Warnings and Limitations	
3.0 Cable Sleeve Installation and Operation.....	6-11
3.1 Vi-Go Automatic Pass-Through Cable Sleeve	
3.2 Vi-Go Manual Pass-Through Cable Sleeve	
4.0 Training.....	12
5.0 Inspection and Maintenance.....	12
Labels/Markings.....	23
Inspection and Maintenance Log.....	24
Warranty.....	25

Table des matières

1.0 Objectif.....	13
1.1 Modèles de manchon de câble	
2.0 Exigences générales, mises en garde et limitations.....	14-15
2.1 Mises en garde générales sur la protection contre les chutes	
2.2 Mises en garde et limitations relatives aux manchons de câble	
3.0 Installation et utilisation du manchon de câble.....	16-21
3.1 Manchon de câble Vi-Go à rappel automatique	
3.2 Manchon de câble Vi-Go à rappel manuel	
4.0 Formation.....	22
5.0 Inspection et entretien.....	22
Étiquettes/Inscriptions.....	23
Registre d'inspection et d'entretien.....	24
Garantie.....	25

Índice

1.0 Uso previsto.....	23
1.1 Modelos de casquillos de cable	
2.0 Requisitos generales, advertencias y limitaciones.....	24-25
2.1 Advertencias generales relativas a protección contra caídas	
2.2 Advertencias y limitaciones aplicables a los casquillos de cable	
3.0 Instalación y operación del casquillo de cable.....	26-31
3.1 Casquillo de cable pasante automático Vi-Go	
3.2 Casquillo de cable pasante manual Vi-Go	
4.0 Capacitación.....	32
5.0 Inspección y mantenimiento.....	32
Etiquetas/Marcas.....	33
Registro de inspección y mantenimiento.....	34
Garantía.....	35

Thank You

Thank you for your purchase of Miller fall protection equipment manufactured by Honeywell Safety Products. Miller brand products are produced to meet the highest standards of quality at our ISO 9001 certified facility. Miller equipment will provide you with years of use when cared for properly.

WARNING

All persons using this equipment must read, understand and follow all instructions. Failure to do so may result in serious injury or death. Do not use this equipment unless you are properly trained.

Questions?

CALL
1.800.873.5242

It is crucial that the authorized person/user of this equipment read and understand these instructions. In addition, federal law requires employers to ensure that all users are trained in the proper installation, use, inspection, and maintenance of fall protection equipment. Fall protection training should be an integral part of a comprehensive safety program.

Proper use of fall arrest systems can save lives and reduce the potential of serious injuries from a fall. The user must be aware that forces experienced during the arrest of a fall or prolonged suspension may cause bodily injury. Consult a physician if there is any question about the user's ability to use this product. Pregnant women and minor children must not use this product.

1.0 Purpose

Vi-Go Cable Sleeves are personal fall arresters designed to provide users with superior fall protection for vertical cable lifeline applications. Cable sleeves move smoothly along the lifeline while the user is ascending or descending a ladder and lock instantly in the event of a fall.

1.1 Cable Sleeve Models

Model No.	Product Description
VGCS	Vi-Go Automatic Pass-Through Cable Sleeve
VGCS-C	Vi-Go Automatic Pass-Through Cable Sleeve with Carabiner
VGCS-SC	Vi-Go Automatic Pass-Through Cable Sleeve with Integral Swivel and Carabiner
TRCS	Vi-Go Manual Pass-Through Cable Sleeve
TRCS-C	Vi-Go Manual Pass-Through Cable Sleeve with Carabiner
TRCS-SC	Vi-Go Manual Pass-Through Cable Sleeve with Integral Swivel and Carabiner

2.0 General Requirements, Warnings and Limitations

2.1 General Fall Protection Warnings

All warnings and instructions shall be provided to authorized persons/users. Warnings and instructions must be read and understood prior to using this equipment.

All authorized persons/users must reference the regulations governing occupational safety, as well as applicable standards (i.e, ANSI or CSA). Refer to product labeling for information on specific OSHA regulations, and ANSI and CSA standards met by this product.

Proper precautions should always be taken to remove any obstructions, debris, material, or other recognized hazards from the work area that could cause injuries or interfere with the operation of the system.

All equipment must be inspected before each use according to the manufacturer's instructions.

All equipment should be inspected by a qualified person on a regular basis.

To minimize the potential for accidental disengagement, a competent person must ensure system compatibility.

Equipment must not be altered in any way. Repairs must be performed only by the equipment manufacturer, or persons or entities authorized, in writing, by the manufacturer.

Any product exhibiting deformities, unusual wear, or deterioration must be immediately discarded.

Do not use if the unit or any part of the system appears to be damaged.

Any equipment subject to a fall must be removed from service.

The user shall have a rescue plan and the means at hand to implement it when using this equipment.

Never use fall protection equipment for purposes other than those for which it was designed. Fall protection equipment should never be used for towing or hoisting.

Never remove product labels, which include important warnings and information for the authorized person/user.

2.2 Cable Sleeve Warnings and Limitations

Compatibility

Vi-Go Cable Sleeves are designed for use with Miller approved components. Substitution or replacement with non-approved component combinations, sub-systems, or both, may affect or interfere with the safe function of each other and endanger the compatibility within the system. This incompatibility may affect the reliability and safety of the total system.

Compatible Cable Lifeline

Vi-Go Cable Sleeves are to be attached to Miller approved 3/8" diameter galvanized steel, vertical cable lifelines as part of a Miller ladder safety system. The Vi-Go Automatic Pass-Through Cable Sleeve may also be attached to Miller approved 8mm or 10mm diameter steel cable lifelines.

Compatible Body Support and Connector

Vi-Go Cable Sleeves must be used in conjunction with a Miller full-body harness equipped with a front attachment point. Only a Miller approved auto-locking carabiner or other Miller approved connector capable of supporting a minimum of 5,000 lbs. may be used to link the cable sleeve to the harness.

Capacity

Vi-Go Cable Sleeves are designed for use by one person only. The design working load is 310 lbs. (140.6kg). **DO NOT EXCEED THIS WEIGHT.**

- Do not use for raising or lowering materials or other material handling.

Fall Clearance

Ensure that adequate clearance exists in the fall path to avoid striking a lower level or other object.

- Maximum fall arrest distance is 5.9" (149.9mm).

Environmental Hazards

Use of this equipment in areas where environmental hazards exist may require additional precautions to limit the possibility of injury to the user or damage to the equipment. Hazards may include, but are not limited to, extreme temperatures, caustic chemicals, corrosive environments, high voltage power lines, explosive or toxic gases, moving machinery, and sharp edges. Do not expose the equipment to any hazard which it is not designed to withstand. Consult the manufacturer in cases of doubt.

- Cable lifeline must be kept clean.
- Use of this system is not suitable when the user is positioned on an unstable surface, fine-grain material, or particulate.

3.0 Cable Sleeve Installation and Operation

- Before installation of the cable sleeve, carefully inspect according to the manufacturer's instructions (see 5.0 Inspection and Maintenance). Do not use if there are any damaged or missing parts.
- Only one person may be secured to a cable sleeve at any given time.
- Use only with Miller approved compatible lifelines/systems.
- Do not use the system if the device does not lock onto the cable lifeline or if any of its components do not operate properly.

WARNING: Personal fall protection must always be used in a situation where a fall hazard exists. A back-up fall arrest system is required when transitioning on and off the system at a height.

3.1 Vi-Go Automatic Pass-Through Cable Sleeve

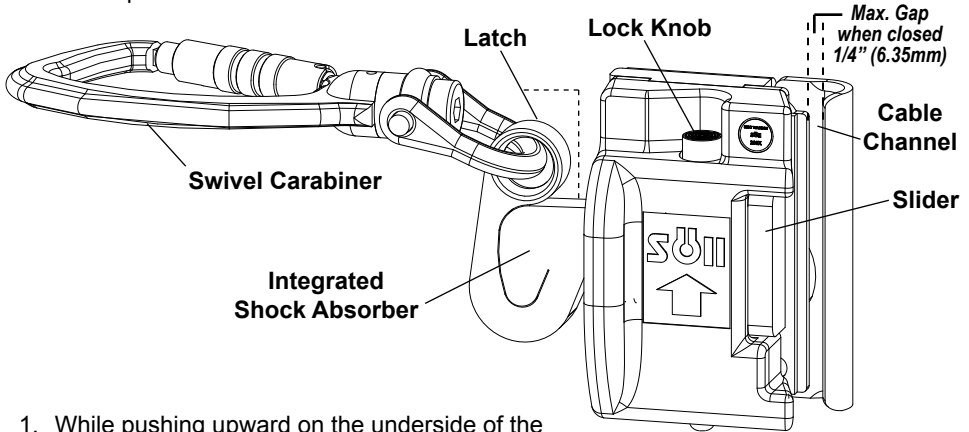


- Corrosion-resistant stainless steel construction.
- Quick and easy to install with absolute single-hand operation.
- Integrated mechanism prevents upside-down installation of the cable sleeve to the cable.
- Hands-free trailing while climbing and descending, and automatically bypasses intermediate Automatic Pass-Through Cable Guides.
- Spring-activated mechanisms always move device back to initial position.
- Dual locking mechanism prevents accidental unlocking of the device from the cable.
- Locks instantly in the event of a fall.
- Built-in shock absorber reduces impact forces on the user in the event of a fall.
- Fall indicator provides for ease of inspection.
- Attaches to 3/8", 8mm or 10mm* diameter steel vertical cable lifelines.

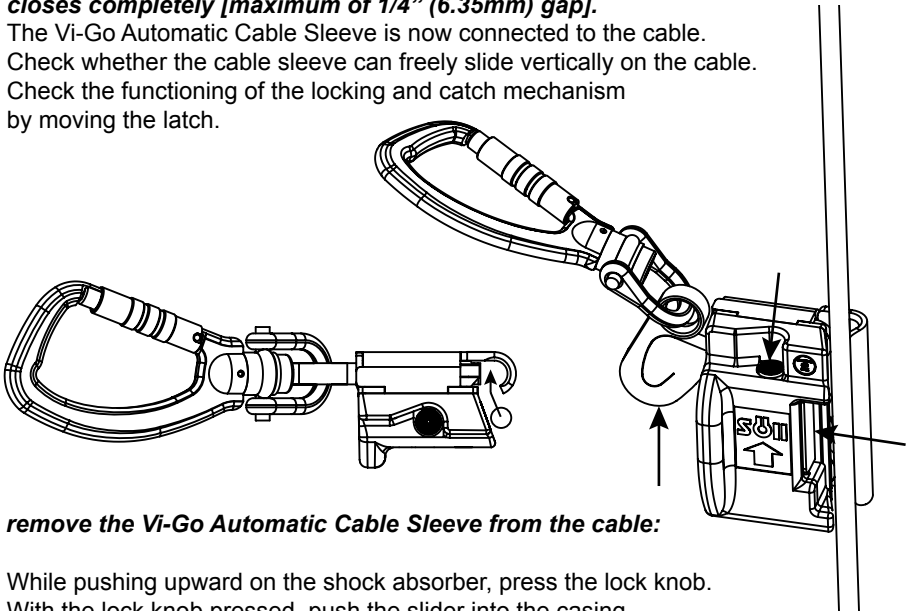
***NOTE:** Automatic Pass-Through Cable Guides (VGCG) are not compatible with 10mm diameter cable lifelines. If the Vi-Go Vertical Cable Lifeline System with Automatic Pass-Through Cable Sleeve is used with 10mm diameter cable, intermediate Manual Pass-Through Cable Guides (TRCG) must be used and therefore the cable sleeve will not automatically bypass intermediate cable guides.

Installing the Vi-Go Automatic Cable Sleeve to Vertical Cable Lifeline

The unique design of the Vi-Go Automatic Cable Sleeve permits one-hand installation to the lifeline, while an anti-inversion mechanism prevents the cable sleeve from being installed upside-down on the cable.



1. While pushing upward on the underside of the shock absorber with your thumb, press the lock knob with your index finger.
2. With the lock knob pressed, push the slider into the casing.
3. Through the now-open cable channel gap, place the cable sleeve on the cable such that the arrow on the casing points upward.
4. Release the slider and the lock knob. **IMPORTANT: Ensure that the cable channel closes completely [maximum of 1/4" (6.35mm) gap].**
5. The Vi-Go Automatic Cable Sleeve is now connected to the cable.
6. Check whether the cable sleeve can freely slide vertically on the cable.
7. Check the functioning of the locking and catch mechanism by moving the latch.



To remove the Vi-Go Automatic Cable Sleeve from the cable:

1. While pushing upward on the shock absorber, press the lock knob.
2. With the lock knob pressed, push the slider into the casing.
3. Through the now-open cable channel gap, remove the cable sleeve.
4. Release the slider and the lock knob.

Connecting the Vi-Go Automatic Cable Sleeve to Full-Body Harness

The Vi-Go Automatic Cable Sleeve is to be directly connected to the front attachment point, designated for ladder climbing, of a Miller full-body harness using a Miller approved auto-locking carabiner or other Miller approved connector.

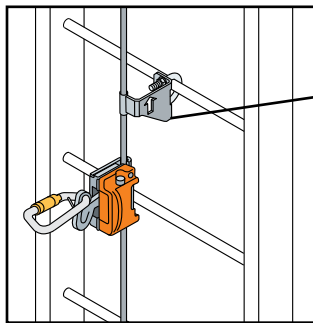
WARNING: The maximum length of the connector from the attachment point on the harness to the cable must not exceed 9" (228mm).

1. Don a full-body harness according to the manufacturer's instructions. Check harness to ensure that all straps are connected, buckles are secure, and harness is adjusted to provide a snug fit. [NOTE: All instructions and warnings provided with the body wear must be read and understood before using the equipment.]
2. Attach the cable sleeve to the front attachment point of the harness using a Miller approved carabiner (or connector). Do not use connecting devices, such as a chain assembly, quick link, or lanyard or substitute with non-Miller approved connectors.
3. Verify that the carabiner (or connector) keeper/gate is closed and locked.

Operating the Vi-Go Automatic Cable Sleeve

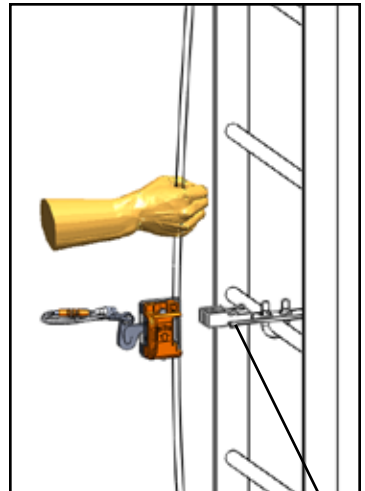
To ascend or descend, climb the ladder in normal fashion. The cable sleeve will follow automatically.

Bypassing Automatic Pass-Through Cable Guides: As the cable sleeve encounters the Intermediate Automatic Pass-Through Cable Guides, it will smoothly bypass without manual assistance.



◀ *Whether climbing or descending, no manual assistance is required to bypass **AUTOMATIC** Pass-Through Cable Guides.*

Bypassing Manual Pass-Through Cable Guides: To bypass Intermediate Manual Pass-Through Cable Guides, snap the cable out of the cable guide. Once the cable sleeve has passed the cable guide, reconnect the cable into the cable guide.



▲ *When using the Vi-Go Automatic Cable Sleeve with **MANUAL** Pass-Through Cable Guides, you must snap the cable out of the cable guide to bypass.*

WARNING: DO NOT REMOVE CABLE SLEEVE FROM CABLE TO PASS INTERMEDIATE CABLE GUIDES.

When climbing is completed, remove the cable sleeve and properly store according to the maintenance instructions in this manual. 8

3.2 Vi-Go Manual Pass-Through Cable Sleeve

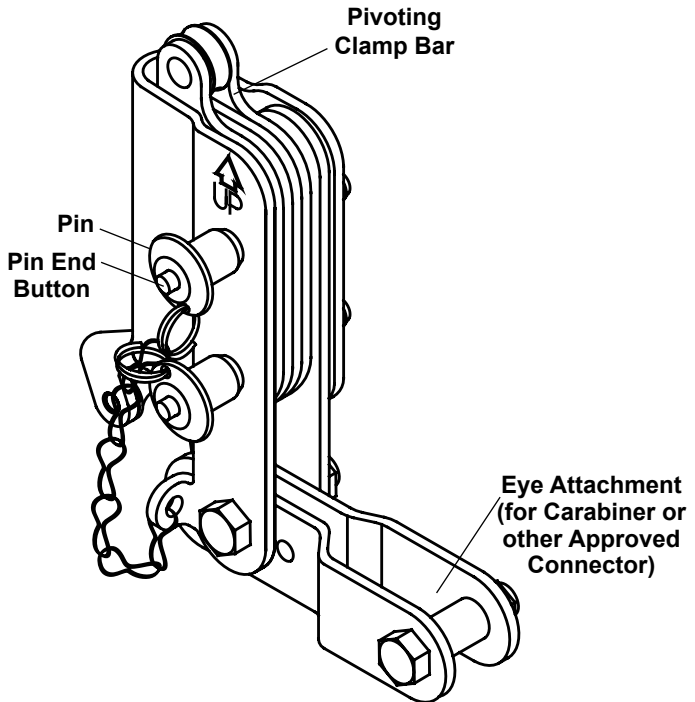


- Easily attaches to the cable and offers hands-free trailing operation between intermediate cable guides.
- Locks instantly in the event of a fall.
Attaches to 3/8" diameter steel vertical cable lifeline only.

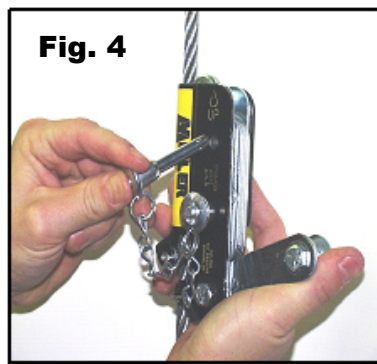
Installing the Vi-Go Manual Cable Sleeve to Vertical Cable Lifeline

WARNING: Never attach the device on the lifeline with the "UP" arrow pointing downward. In this condition the device will NOT lock onto the lifeline should a fall occur.

WARNING: Vi-Go Manual Cable Sleeve is only compatible with 3/8" diameter approved cable.



1. Open the device by depressing end buttons on pins while pulling pins out (see Fig. 1).
2. Fully open device by pivoting clamp bar assembly away from housing and attach device to cable (see Fig. 2).
3. Close the device by pivoting cams onto the cable, making sure the "UP" arrow is pointing up (see Fig. 3).
4. Reinstall pins through housing, ensuring that the ball detent passes completely through housing assembly (see Fig. 4).
5. After cable sleeve is installed on lifeline, check security pins by trying to remove the pins without depressing the buttons.
6. Test the cable sleeve for functionality of movement by working cams back and forth and by running the device up and down on the lifeline.
7. Test the cable sleeve locking mechanism by pulling down sharply on the eye attachment. Cable sleeve should lock onto cable.



To remove the Vi-Go Manual Cable Sleeve from the cable:

1. Depress end buttons on pins while pulling pins out.
2. Open the device by pivoting clamp bar assembly away from housing and remove from cable.

Connecting the Vi-Go Manual Cable Sleeve to Full-Body Harness

The Vi-Go Manual Cable Sleeve is to be directly connected to the front attachment point, designated for ladder climbing, of a Miller full-body harness using a Miller approved auto-locking carabiner or other Miller approved connector.

WARNING: The maximum length of the connector from the attachment point on the harness to the cable must not exceed 9" (228mm).

1. Don a full-body harness according to the manufacturer's instructions. Check harness to ensure that all straps are connected, buckles are secure, and harness is adjusted to provide a snug fit. [NOTE: All instructions and warnings provided with the body wear must be read and understood before using the equipment.]
2. Attach the cable sleeve to the front attachment point of the harness using a Miller approved carabiner (or connector). Do not use connecting devices, such as a chain assembly, quick link, or lanyard or substitute with non-Miller approved connectors.
3. Verify that the carabiner (or connector) keeper/gate is closed and locked.

Operating the Vi-Go Manual Cable Sleeve

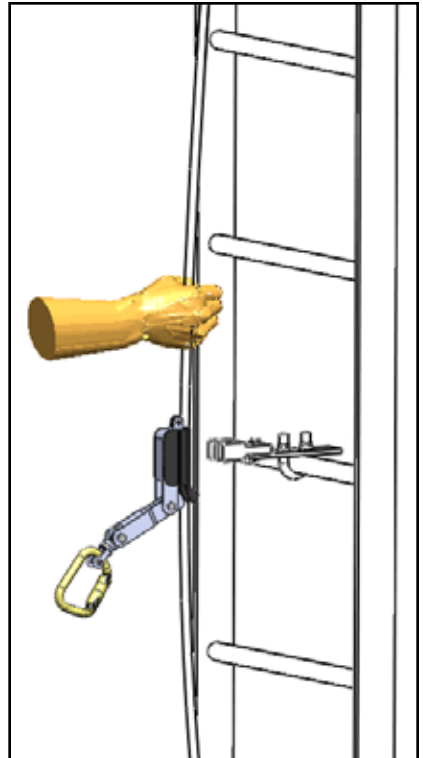
To ascend, climb the ladder in normal fashion. The cable sleeve will follow automatically.

As the cable sleeve encounters the Intermediate Manual Pass-Through Cable Guides, snap the cable out of the cable guide. Once the cable sleeve has passed the cable guide, reconnect the cable into the cable guide.

WARNING: DO NOT REMOVE CABLE SLEEVE FROM CABLE TO PASS INTERMEDIATE CABLE GUIDES.

To descend, climb down the ladder in normal fashion with torso centered and close to the device. This will keep the attachment lever up, disengaging the clamping bar and allowing the device to move freely down the cable. Leaning too far back will cause the cable sleeve to lock onto the cable. To unlock the cable sleeve, move upward slightly. This will release the device from the cable and allow the climber to descend the ladder.

When climbing is completed, remove the cable sleeve and properly store according to the maintenance instructions in this manual.



4.0 Training

It is essential that the user of this equipment is familiar with these instructions and is trained in the proper use, installation, operation, inspection, maintenance and limitations of this product. Training should be conducted periodically and without exposing the trainee to a fall hazard. Miller Training provides the knowledge and skills necessary to achieve a safe, more productive work environment. For more information on Miller Training, contact a representative today: 800.873.5242.

5.0 Inspection and Maintenance

Inspection

Vi-Go Cable Sleeves are designed for today's rugged work environments. To maintain their service life and high performance, cable sleeves should be inspected frequently. Visually inspect before each use. Regular inspection by a competent person for wear, damage or corrosion should be a part of your safety program. **Replace equipment if any of the defective conditions explained in this manual are found.**

Cable Sleeve Inspection

Before each use, visually inspect for the following:

- Inspect for physical damages, cracks, wear and corrosion.
- Check bolts for damage, cracks, wear and corrosion.
- Inspect for malfunctioning components, broken or missing springs and fasteners.
- **Vi-Go Automatic Cable Sleeve only:** Check the lock knob and slider to be sure that they operate freely and properly.
- **Vi-Go Manual Cable Sleeve only:** Check buttons on pin to be sure that they operate freely and properly.
- Be sure that all parts move freely without hesitation and are functioning correctly.
- **Vi-Go Automatic Cable Sleeve only:** Inspect shock absorber/fall indicator for signs of impact or loads being imposed.



System Inspection

- Inspect the cable lifeline/system, full-body harness and connector to which the cable sleeve is to be installed per manufacturer's instructions.

Cleaning and Storage

Basic care of all Miller Fall Protection equipment will prolong the life of the unit and will contribute toward the performance of its vital safety function. Proper storage and maintenance after use are as important as cleansing the equipment of dirt, corrosives, or contaminants. Clean device using a cloth dampened with water and mild soap or detergent and towel dry. Storage areas should be clean, dry and free of exposure to fumes or corrosive elements.

Servicing

A record log of all servicing and inspection dates for this system must be maintained. ***This device must be withdrawn from service if subjected to fall arresting forces.*** Only original Miller Fall Protection replacement parts are approved for use in this system. Contact Miller Technical Services at 800.873.5242 if you have any questions.

Remerciements

Nous vous remercions d'avoir acheté les équipements antichute Miller fabriqués par Honeywell Safety Products. Les produits de marque Miller sont fabriqués selon des normes de qualité des plus rigoureuses, dans notre usine certifiée ISO 9001. Bien entretenu, un équipement Miller s'utilise des années durant.

MISE EN GARDE

Quiconque utilise cet équipement doit lire, comprendre et suivre toutes les instructions. Le contraire peut entraîner des blessures graves, voire la mort. Ne pas utiliser cet équipement à moins d'avoir reçu la formation appropriée.

Des questions? COMPOSEZ LE 1 800 873-5242

Il est essentiel que la personne autorisée à utiliser cet équipement de protection contre les chutes lise et comprenne ces instructions. De plus, la loi fédérale oblige les employeurs à s'assurer que tous les utilisateurs ont reçu une formation sur la manière appropriée d'installer, d'utiliser, d'inspecter et d'entretenir les équipements antichute. La formation sur la protection contre les chutes devrait faire partie intégrante d'un programme global de sécurité.

L'utilisation adéquate de systèmes d'arrêt de chute peut épargner des vies et réduire le risque de blessures graves consécutives à une chute. L'utilisateur doit être sensibilisé au fait que les forces subies lors d'un arrêt de chute ou d'une suspension prolongée peuvent causer des blessures corporelles. Dans l'incertitude sur la capacité de la personne à utiliser ce produit, consulter un médecin. Les femmes enceintes et les mineurs ne doivent pas utiliser ce produit.

1.0 Objectif

Le manchon de câble Vi-Go est un dispositif antichute individuel conçu pour fournir aux utilisateurs une protection supérieure contre les chutes pour les utilisations en tant que câble de sécurité vertical. Le manchon de câble passe en douceur le long du câble de sécurité lorsque l'utilisateur monte ou descend une échelle et se verrouille automatiquement en cas de chute.

1.1 Modèles de manchon de câble

N° de modèle	Description du produit
VGCS	Manchon de câble Vi-Go à rappel automatique
VGCS-C	Manchon de câble Vi-Go à rappel automatique avec mousqueton
VGCS-SC	Manchon de câble Vi-Go à rappel automatique avec émerillon intégral et mousqueton
TRCS	Manchon de câble Vi-Go à rappel manuel
TRCS-C	Manchon de câble Vi-Go à rappel manuel avec mousqueton
TRCS-SC	Manchon de câble Vi-Go à rappel manuel avec émerillon intégral et mousqueton

2.0 Exigences générales, mises en garde et limitations

2.1 Mises en garde générales sur la protection contre les chutes

Les personnes et les utilisateurs autorisés doivent recevoir toutes les mises en garde et les directives. Les utilisateurs doivent lire et comprendre les mises en garde et les directives avant d'utiliser cet équipement.

Toutes les personnes et tous les utilisateurs autorisés doivent consulter la réglementation régissant la sécurité du travail, ainsi que les normes applicables (c'est-à-dire ANSI ou CSA). Consulter les étiquettes pour en savoir davantage sur la réglementation d'OSHA et les normes ANSI et CSA auxquelles ce produit répond.

Des précautions appropriées doivent toujours être prises pour retirer tous les obstacles, débris, matériaux ou autres dangers connus de l'espace de travail qui pourraient causer des blessures ou nuire au fonctionnement du système.

Tout l'équipement doit faire l'objet d'une inspection avant chaque utilisation conformément aux directives du fabricant.

Tout l'équipement doit régulièrement faire l'objet d'une inspection par une personne qualifiée.

Pour réduire les risques de décrochage accidentel, une personne compétente doit assurer la compatibilité des éléments du système.

L'équipement ne doit subir aucune modification. Seuls le fabricant ou bien les personnes ou les entités autorisées par écrit par le fabricant peuvent effectuer des réparations.

Tout produit présentant des défauts ou des traces d'usure anormale ou de détérioration doit être immédiatement mis au rebut.

Ne pas utiliser si le dispositif ou toute pièce du système semble endommagé.

Tout équipement qui a été assujéti à une chute ne doit plus être utilisé.

Lorsque l'utilisateur se sert de cet équipement, il doit avoir à portée de main un plan de sauvetage et les moyens de le mettre en œuvre.

Ne jamais utiliser l'équipement de protection contre les chutes à des fins différentes de celle-ci. Ne jamais l'utiliser non plus à des fins de remorquage ou de levage.

Ne jamais retirer les étiquettes du produit, car elles contiennent des mises en garde et des renseignements importants pour les personnes et les utilisateurs autorisés.

2.2 Mises en garde et limitations relatives aux manchons de câble

Compatibilité

Les manchons de câble Vi-Go doivent être utilisés avec des composants approuvés par Miller. L'utilisation de composants ou de sous-systèmes non approuvés à des fins de substitution ou de remplacement peut détériorer ou entraver leur fonctionnement sécuritaire ou compromettre leur compatibilité avec les autres éléments du système. Cette incompatibilité peut diminuer la fiabilité et la sécurité de l'ensemble du système.

Câble de sécurité compatible

Les manchons de câble Vi-Go doivent être fixés à des câbles de sécurité verticaux en acier galvanisé de 9,5 mm (3/8 po) approuvés par Miller dans le cadre du système de sécurité de Miller concernant les échelles. Les manchons de câble Vi-Go à rappel automatique peuvent également être fixés à des câbles de sécurité de 8 mm ou 10 mm de diamètre approuvés par Miller.

Soutien corporel et connecteur compatibles

Les manchons de câble Vi-Go doivent être portés avec le harnais de sécurité intégral de Miller muni d'un point d'attache à l'avant. Seul un mousqueton à verrouillage automatique approuvé par Miller ou un autre connecteur approuvé par Miller ayant une capacité de support minimale de 2 268 kg (5 000 lb) peut être utilisé pour lier le manchon de câble au harnais.

Capacité

Les manchons de câble Vi-Go doivent être utilisés par une seule personne. Ils ont une capacité de 140,6 kg (310 lb).

NE PAS DÉPASSER CE POIDS.

- Ne pas utiliser pour soulever ou abaisser des matériaux ni pour tout autre type de manutention.

Dégagement nécessaire en cas de chute

S'assurer que l'espace où quelqu'un pourrait tomber est dégagé afin d'éviter que la personne ne heurte un niveau inférieur ou un objet.

- Distance maximale du dispositif antichute de 149,9 mm (5,9 po)

Dangers environnants

Il peut être nécessaire de prendre des précautions supplémentaires lorsque l'utilisateur de cet équipement est exposé à certains dangers afin de réduire les risques de blessures ou de bris d'équipement. Les dangers peuvent comprendre, sans toutefois s'y limiter, les températures extrêmes, les produits chimiques caustiques, les milieux corrosifs, les lignes électriques à haute tension, les gaz explosifs ou toxiques, la machinerie en mouvement et les arêtes vives. N'exposer l'équipement à aucun danger contre lequel il n'a pas été conçu pour résister. Consulter le fabricant en cas de doute.

- Le câble de sécurité doit demeurer propre.
- L'utilisation de ce système n'est pas appropriée lorsque l'utilisateur est sur une surface instable, du matériel à grain fin ou des particules.

3.0 Installation et utilisation du manchon de câble

- Avant d'installer le manchon de câble, faire une inspection attentive conformément aux directives du fabricant (voir 5.0 Inspection et entretien). Ne pas utiliser s'il y a des pièces endommagées ou manquantes.
- Une seule personne à la fois doit utiliser un manchon de câble.
- À utiliser uniquement avec des câbles de sécurité ou des systèmes compatibles approuvés par Miller.
- Ne pas utiliser le système si le dispositif ne se verrouille pas sur le câble de sécurité ou si un composant ne fonctionne pas correctement.

MISE EN GARDE : Utilisez toujours un dispositif individuel de protection contre les chutes dans des situations où il y a un risque de chute. Un système antichute de secours est requis lorsque vous enlevez ou mettez le système à une certaine hauteur.

3.1 Manchon de câble Vi-Go à rappel automatique

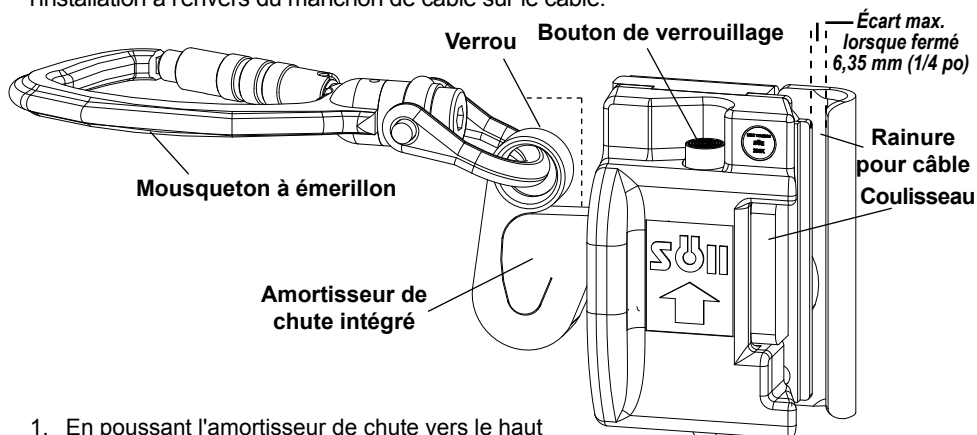
- Fabrication en acier inoxydable résistant à la corrosion.
- Rapide et facile à installer pour un fonctionnement qui se fait véritablement à une seule main.
- Le mécanisme intégré empêche que le manchon de câble soit installé à l'envers sur le câble.
- L'ascension et la descente se font sans manipuler la longe, ce qui permet de contourner l'utilisation de guide-câbles intermédiaires à rappel automatique.
- Les mécanismes activés par ressort replacent toujours le dispositif dans la position initiale.
- Le mécanisme à verrouillage double empêche un déverrouillage accidentel du dispositif du câble.
- Se verrouille instantanément en cas de chute.
- Un amortisseur de chute intégré réduit la force de l'impact sur l'utilisateur en cas de chute.
- L'indicateur de chute facilite l'inspection.
- Se fixe à un câble de sécurité vertical en acier de 9,5 mm (3/8 po), de 8 mm ou de 10 mm* de diamètre.



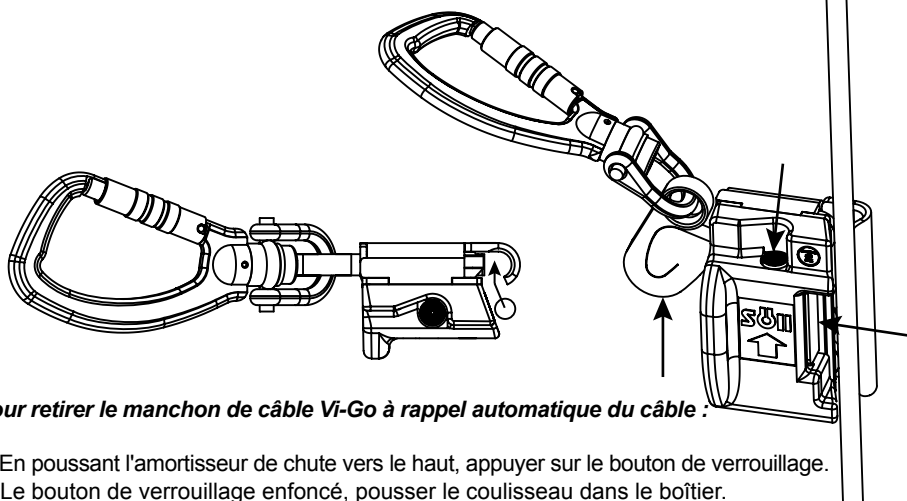
* **REMARQUE :** Les guide-câbles à rappel automatique (VGCG) ne sont pas compatibles avec les câbles de sécurité de 10 mm de diamètre. Si le système avec câble de sécurité vertical Vi-Go muni d'un manchon de câble à rappel automatique est utilisé avec un câble de 10 mm de diamètre, il faut utiliser des guide-câbles intermédiaires à rappel manuel (TRCG); ainsi, le manchon de câble ne pourra pas automatiquement contourner les guide-câbles intermédiaires.

Installation du manchon de câble Vi-Go à rappel automatique à un câble de sécurité vertical

La conception unique du manchon de câble Vi-Go à rappel automatique permet l'installation d'une seule main au câble de sécurité, tandis qu'un mécanisme d'anti-inversion prévient l'installation à l'envers du manchon de câble sur le câble.



1. En poussant l'amortisseur de chute vers le haut avec le pouce, appuyer sur le bouton de verrouillage avec l'index.
2. Le bouton de verrouillage enfoncé, pousser le coulisseau dans le boîtier.
3. Dans la rainure ouverte qui accueille le câble, placer le manchon de câble sur le câble de manière à ce que la flèche du boîtier pointe vers le haut.
4. Relâcher le coulisseau et le bouton de verrouillage. **IMPORTANT : S'assurer que la rainure pour le câble se ferme complètement (écart maximal de 6,35 mm [1/4 po]).**
5. Le manchon de câble Vi-Go à rappel automatique est maintenant fixé au câble.
6. Vérifier si le manchon de câble glisse sans difficulté à la verticale sur le câble.
7. Vérifier le fonctionnement du mécanisme de verrouillage en déplaçant le verrou.



Pour retirer le manchon de câble Vi-Go à rappel automatique du câble :

1. En poussant l'amortisseur de chute vers le haut, appuyer sur le bouton de verrouillage.
2. Le bouton de verrouillage enfoncé, pousser le coulisseau dans le boîtier.
3. Retirer le manchon de câble dans la rainure ouverte qui accueille le câble.
4. Relâcher le coulisseau et le bouton de verrouillage.

Raccordement du manchon de câble Vi-Go à rappel automatique au harnais de sécurité intégral

Le manchon de câble Vi-Go à rappel automatique doit être fixé directement au point d'attache à l'avant (conçu pour monter aux échelles) d'un harnais de sécurité intégral de Miller au moyen d'un mousqueton à verrouillage automatique approuvé par Miller ou un autre connecteur approuvé par Miller.

MISE EN GARDE : La longueur maximale d'un connecteur à partir du point d'attache sur le harnais jusqu'au câble ne doit pas dépasser 228 mm (9 po).

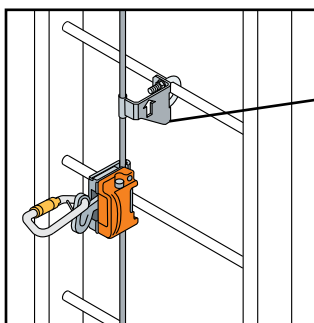
1. Porter un harnais de sécurité intégral conformément aux directives du fabricant. Vérifier le harnais pour s'assurer que toutes les sangles sont fixées, que toutes les attaches sont solides et que le harnais est ajusté de manière à être à l'aise. [REMARQUE : Toutes les directives et les mises en garde fournies avec le harnais doivent être lues et comprises avant d'utiliser l'équipement.]
2. Fixer le manchon de câble au point d'attache à l'avant du harnais au moyen d'un mousqueton (ou connecteur) approuvé par Miller. Ne pas utiliser de dispositifs de raccordement, comme un assemblage à chaîne, un maillon rapide, une corde d'amarrage ou une pièce de remplacement avec des connecteurs qui ne sont pas approuvés par Miller.
3. Vérifier que le système d'ouverture du mousqueton (ou connecteur) est fermé et verrouillé.

Utilisation du manchon de câble Vi-Go à rappel automatique

Monter et descendre l'échelle normalement. Le manchon de câble suivra automatiquement.

Contourner les guide-câbles à rappel automatique :

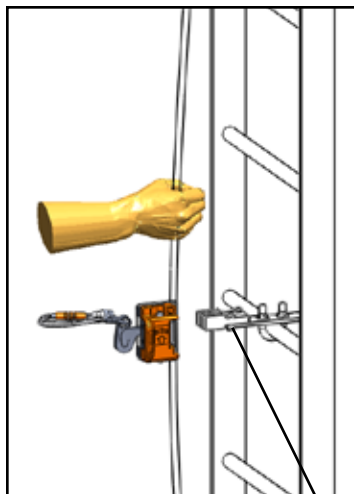
Lorsque le manchon de câble atteint les guide-câbles intermédiaires à rappel automatique, il les contourne en douceur sans manipulation.



◀ Pendant l'ascension et la descente, aucune aide manuelle n'est requise pour contourner les guide-câbles **À RAPPTEL AUTOMATIQUE**.

Contourner les guide-câbles à rappel manuel :

Pour contourner les guide-câbles intermédiaires à rappel manuel, déloger le câble du guide-câble. Lorsque le manchon de câble a dépassé le guide-câble, replacer le câble dans le guide-câble.



MISE EN GARDE : NE RETIREZ PAS LE MANCHON DE CÂBLE DU CÂBLE AFIN DE CONTOURNER LES GUIDE-CÂBLES INTERMÉDIAIRES.

Lorsque l'ascension est terminée, retirer le manchon de câble et le ranger conformément aux directives d'entretien du présent guide.

▲ Lors de l'utilisation du manchon de câble Vi-Go à rappel automatique avec des guide-câbles **MANUELS**, il faut déloger le câble du guide-câble pour le contourner.

3.2 Manchon de câble Vi-Go à rappel manuel

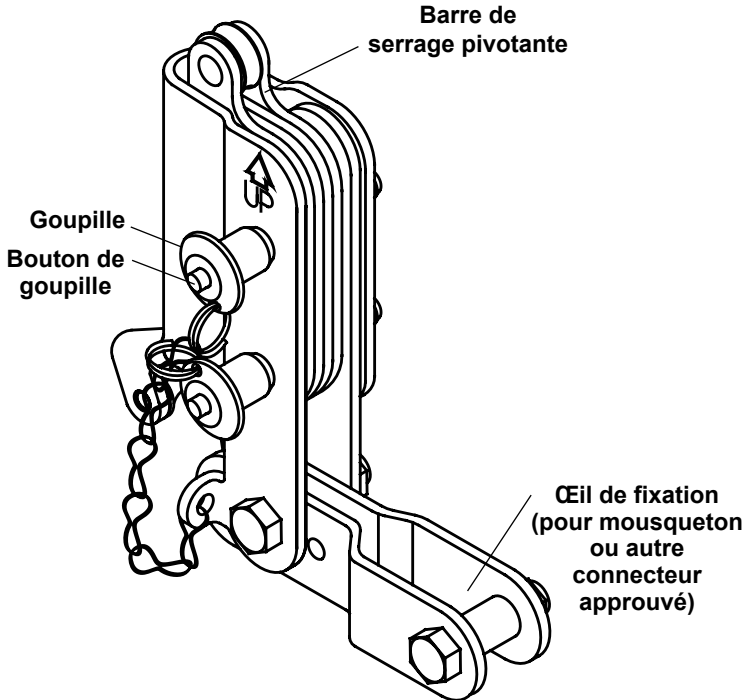


- Se fixe facilement au câble et l'ascension et la descente se font sans manipulation de la longue entre les guide-câbles intermédiaires.
- Se verrouille instantanément en cas de chute.
- Se fixe uniquement à un câble de sécurité vertical en acier de 9,5 mm (3/8 po) de diamètre.

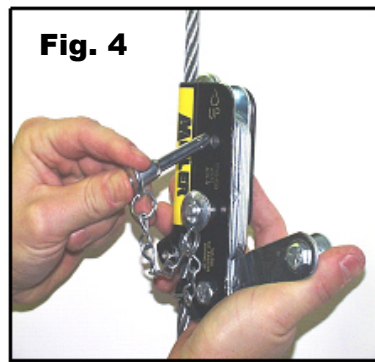
Installation du manchon de câble Vi-Go à rappel manuel à un câble de sécurité vertical

MISE EN GARDE : Ne fixez jamais le dispositif à un câble de sécurité lorsque la flèche du haut (« UP ») pointe vers le bas. Sinon, le dispositif NE se verrouillera PAS sur le câble de sécurité en cas de chute.

MISE EN GARDE : Le manchon de câble Vi-Go à rappel manuel est uniquement compatible avec un câble approuvé de 9,5 mm (3/8 po) de diamètre.



1. Ouvrir le dispositif en enfonçant les boutons des goupilles et en tirant sur les goupilles afin de les faire sortir (voir figure 1).
2. Ouvrir complètement le dispositif en tournant l'assemblage de la barre de serrage afin de l'éloigner du boîtier et fixer le dispositif au câble (voir figure 2).
3. Fermer le dispositif en faisant tourner les cames sur le câble et s'assurer que la flèche du haut (« UP ») est pointée vers le haut (voir figure 3).
4. Remettre les goupilles en place dans le boîtier et s'assurer que la bille de verrouillage passe complètement à travers l'assemblage du boîtier (voir figure 4).
5. Après l'installation du manchon de câble sur le câble de sécurité, vérifier les goupilles de sécurité en essayant de les retirer sans appuyer sur les boutons.
6. Vérifier la capacité de mouvement du manchon de câble en tirant et en poussant les cames et en faisant passer le dispositif le long du câble de sécurité.
7. Vérifier le mécanisme de verrouillage du manchon de câble en tirant brusquement l'œil de fixation vers le bas. Le manchon de câble devrait se verrouiller sur le câble.



Pour retirer le manchon de câble Vi-Go à rappel manuel du câble :

1. Appuyer sur les boutons des goupilles en tirant sur les goupilles afin de les faire sortir.
2. Ouvrir le dispositif en tournant l'assemblage de la barre de serrage afin de l'éloigner du boîtier et retirer le câble.

Raccordement du manchon de câble Vi-Go à rappel manuel au harnais de sécurité intégral

Le manchon de câble Vi-Go à rappel manuel doit être fixé directement au point d'attache à l'avant (conçu pour monter aux échelles) d'un harnais de sécurité intégral de Miller au moyen d'un mousqueton à verrouillage automatique approuvé par Miller ou un autre connecteur approuvé par Miller.

MISE EN GARDE : La longueur maximale d'un connecteur à partir du point d'attache sur le harnais jusqu'au câble ne doit pas dépasser 228 mm (9 po).

1. Porter un harnais de sécurité intégral conformément aux directives du fabricant. Vérifier le harnais pour s'assurer que toutes les sangles sont fixées, que toutes les attaches sont solides et que le harnais est ajusté de manière à être à l'aise.
[REMARQUE : Toutes les directives et les mises en garde fournies avec le harnais doivent être lues et comprises avant d'utiliser l'équipement.]
2. Fixer le manchon de câble au point d'attache à l'avant du harnais au moyen d'un mousqueton (ou connecteur) approuvé par Miller. Ne pas utiliser de dispositifs de raccordement, comme un assemblage à chaîne, un maillon rapide, une corde d'amarrage ou une pièce de remplacement avec des connecteurs qui ne sont pas approuvés par Miller.
3. Vérifier que le système d'ouverture du mousqueton (ou connecteur) est fermé et verrouillé.

Utilisation du manchon de câble Vi-Go à rappel manuel

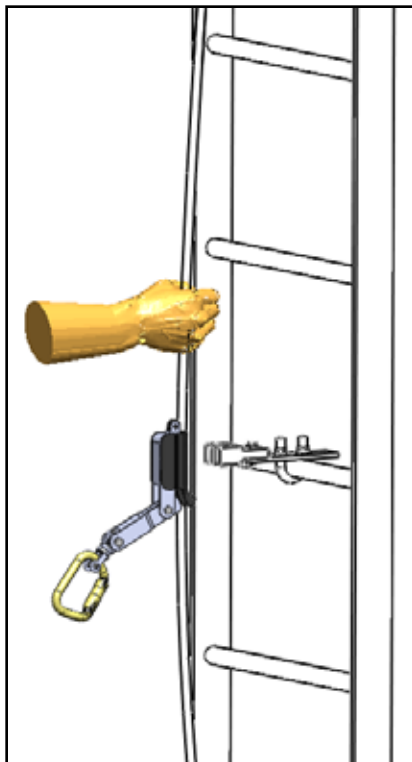
Monter l'échelle normalement. Le manchon de câble suivra automatiquement.

Lorsque le manchon de câble atteint les guide-câbles intermédiaires à rappel manuel, déloger le câble du guide-câble. Lorsque le manchon de câble a dépassé le guide-câble, replacer le câble dans le guide-câble.

MISE EN GARDE : NE RETIREZ PAS LE MANCHON DE CÂBLE DU CÂBLE POUR CONTOURNER LES GUIDE-CÂBLES INTERMÉDIAIRES.

Descendre l'échelle normalement, le torse centré et près du dispositif. Cela permet au levier de fixation d'être orienté vers le haut, dégageant ainsi la barre de serrage et permettant au dispositif de passer sans difficulté le long du câble. Le fait de trop se pencher vers l'arrière entraîne le verrouillage du manchon de câble sur le câble. Pour déverrouiller le manchon de câble, monter légèrement. Cela relâche le dispositif du câble et permet à la personne de descendre l'échelle.

Lorsque la descente est terminée, retirer le manchon de câble et le ranger conformément aux directives du fabricant dans le présent guide.



4.0 Formation

Il est essentiel que l'utilisateur de cet équipement se familiarise avec les présentes instructions et qu'il soit formé afin de pouvoir l'utiliser, l'installer, le faire fonctionner, l'inspecter et l'entretenir convenablement et d'en connaître les limites. La formation doit être donnée périodiquement et elle ne doit pas exposer les personnes formées à des risques de chute. La formation de Miller offre les connaissances et les compétences requises pour réussir à avoir un environnement de travail sûr où le rendement est supérieur. Pour en savoir davantage sur la formation de Miller, téléphoner à un représentant dès aujourd'hui : 1 800 873-5242.

5.0 Inspection et entretien

Inspection

Les manchons de câble Vi-Go sont conçus pour les conditions difficiles que l'on rencontre aujourd'hui. Les manchons de câble doivent faire l'objet d'inspections fréquentes afin d'en prolonger la durée de vie et d'en conserver les performances. Faire une inspection visuelle avant chaque utilisation. Une inspection régulière effectuée par une personne compétente afin de déceler les traces d'usure, de dommages ou de corrosion doit faire partie intégrante du programme de sécurité. **Remplacer l'équipement s'il présente l'une des déficiences expliquées dans le présent guide.**

Inspection du manchon de câble

Faire une inspection visuelle des éléments suivants avant chaque utilisation :

- Faire une inspection pour déceler des dommages physiques, des fissures, de l'usure ou de la corrosion.
- Vérifier les boulons pour déceler des dommages physiques, des fissures, de l'usure ou de la corrosion.
- Vérifier s'il y a des composants défectueux, des ressorts ou des fixations brisés ou manquants.
- Uniquement le manchon de câble Vi-Go à rappel automatique : Vérifier le bouton de verrouillage et le coulisseau pour s'assurer qu'ils sont dégagés et qu'ils fonctionnent correctement.
- Uniquement le manchon de câble Vi-Go à rappel manuel : Vérifier les boutons des goupilles pour s'assurer qu'ils sont dégagés et qu'ils fonctionnent correctement.
- S'assurer que toutes les pièces sont bien dégagées et qu'elles fonctionnent correctement.
- Uniquement le manchon de câble Vi-Go à rappel automatique : Inspecter l'amortisseur de chute et l'indicateur de chute pour y déceler des signes d'impact ou d'imposition de charges.



Inspection du système

- Inspecter le câble de sécurité, le système, le harnais de sécurité intégral et le connecteur sur lequel le manchon de câble sera installé conformément aux directives du fabricant.

Nettoyage et rangement

L'entretien de base de tout équipement de protection contre les chutes Miller prolongera la durée de vie du dispositif et contribuera au bon fonctionnement de ses caractéristiques de sécurité essentielles. Le rangement et l'entretien appropriés après utilisation sont aussi importants que le nettoyage de toute trace de poussière, de corrosion ou de contaminant de l'équipement. Nettoyer le dispositif à l'aide d'un linge humide et d'un savon ou d'un détergent doux, puis l'essuyer avec une serviette. Les aires de rangement doivent être propres et sèches et ne doivent pas être exposées à de la fumée ni à des éléments corrosifs.

Entretien

Il faut inscrire tous les entretiens et les dates d'inspection de ce système dans un registre.

Ce dispositif ne doit plus être utilisé s'il a été assujéti aux forces d'un arrêt de chute.

Seules les pièces de remplacement d'origine pour l'équipement de protection contre les chutes Miller sont approuvées pour ce système. Si vous avez des questions, communiquez avec le service technique de Miller au 1 800 873-5242.

¡Muchas gracias!

Gracias por comprar un equipo de protección anticaídas Miller fabricado por Honeywell Safety Products. Los productos de la marca Miller se fabrican de conformidad con las más altas normas de calidad en nuestra planta, que cuenta con la certificación ISO 9001. Con el debido cuidado, los equipos de protección anticaídas Miller le brindarán muchos años de uso.

ADVERTENCIA

Las personas que utilicen este equipo deben leer, comprender y observar todas las instrucciones aplicables para evitar lesiones de gravedad, o incluso la muerte. No utilice este equipo si no cuenta con la capacitación adecuada.

¿Preguntas?

LLAME AL
1.800.873.5242

Todas las personas y usuarios autorizados de este equipo deben leer y comprender estas instrucciones. Asimismo, la legislación federal impone a los empleadores la obligación de garantizar que todos los usuarios se encuentren debidamente capacitados en la instalación, uso, inspección y mantenimiento adecuados de los equipos de protección anticaídas. La capacitación sobre protección anticaídas debe formar parte de todo programa integral de seguridad.

El uso adecuado de sistemas de detención de caídas permite salvar vidas y reducir las posibilidades de que se produzcan lesiones graves en caso de caída. No obstante, los usuarios deben ser conscientes de que las fuerzas ejercidas para detener una caída o durante una suspensión prolongada pueden causar lesiones corporales. Consulte a un médico en caso de duda sobre la capacidad del usuario para usar este producto. Este producto no debe ser utilizado por niños ni mujeres embarazadas.

1.0 Uso previsto

Los casquillos de cable Vi-Go son suspensores anticaídas de uso personal especialmente diseñados para brindar una protección superior contra caídas para líneas de anclaje verticales. Los casquillos de cable se desplazan suavemente por la línea de anclaje mientras el usuario asciende o desciende por una escalera y se bloquean de forma instantánea en caso de caída.

1.1 Modelos de casquillos de cable

N.º de modelo	Descripción del producto
VGCS	Casquillo de cable pasante automático Vi-Go
VGCS-C	Casquillo de cable pasante automático con mosquetón Vi-Go
VGCS-SC	Casquillo de cable pasante automático con pivote y mosquetón incorporados Vi-Go
TRCS	Casquillo de cable pasante manual Vi-Go
TRCS-C	Casquillo de cable pasante manual con mosquetón Vi-Go
TRCS-SC	Casquillo de cable pasante manual con pivote y mosquetón incorporados Vi-Go

2.0 Requisitos generales, advertencias y limitaciones

2.1 Advertencias generales relativas a protección contra caídas

Las personas y usuarios autorizados deben recibir todas las advertencias e instrucciones pertinentes. Es menester leer y comprender las advertencias e instrucciones antes de usar el equipo.

Las personas y usuarios autorizados deben consultar las reglamentaciones relativas a seguridad laboral, además de los estándares aplicables (es decir, ANSI o CSA). Consulte las etiquetas de los productos para obtener información sobre las reglamentaciones específicas de OSHA y los estándares ANSI y CSA con los que cumple este producto.

Es preciso tomar todos los recaudos necesarios para eliminar obstrucciones, escombros, materiales u otros riesgos reconocidos en el área de trabajo que puedan producir lesiones personales o interferir con la operación del sistema.

Todos los equipos deben inspeccionarse antes de su uso de conformidad con las instrucciones del fabricante.

Las inspecciones de los equipos deben estar a cargo de una persona calificada y llevarse a cabo de forma regular.

A fin de minimizar los riesgos de desconexión accidental, una persona competente debe verificar la compatibilidad del sistema.

El equipo no debe modificarse de forma alguna. Las reparaciones deben estar a cargo del fabricante u otras personas o entidades autorizadas por escrito por el fabricante.

Descarte de inmediato cualquier producto que presente deformaciones, deterioro o un desgaste inusual.

No utilice si la unidad o cualquier pieza del sistema parecen presentar daños.

Retire de servicio todo equipo que haya sufrido una caída.

Al usar el equipo, el usuario deberá contar con un plan de rescate y medios disponibles para su implementación.

Nunca utilice equipos de protección anticaídas con fines diferentes de los proyectados en su diseño. Nunca utilice equipos de protección anticaídas para realizar tareas de izado o remolque.

No retire las etiquetas de los productos, pues contienen advertencias e información importantes para la persona o el usuario autorizados.

2.2 Advertencias y limitaciones aplicables a los casquillos de cable

Compatibilidad

Los casquillos de cable Vi-Go están diseñados para su uso junto con componentes aprobados por Miller. La sustitución o reemplazo por subsistemas o combinaciones de componentes no aprobados, o ambos, puede afectar o interferir con su funcionamiento seguro y poner en riesgo su compatibilidad con el sistema. Esta incompatibilidad puede, a su vez, afectar la confiabilidad y seguridad total del sistema.

Línea de anclaje de cable compatible

Los casquillos de cable Vi-Go deben fijarse a líneas de anclaje de cable verticales de acero galvanizado aprobadas por Miller de 3/8" de diámetro como parte de un sistema de seguridad para escaleras Miller. El casquillo de cable pasante automático Vi-Go también puede instalarse en líneas de anclaje de cables de acero aprobadas por Miller de 8 mm o 10 mm.

Conector y soporte corporal compatibles

Los casquillos de cable Vi-Go deben utilizarse junto con un arnés de cuerpo completo Miller equipado con un punto de sujeción delantero. Utilice únicamente un mosquetón con sistema de autobloqueo u otro conector aprobado por Miller que soporte un peso mínimo de 5.000 lb (2.268 kg) para fijar el casquillo al arnés.

Capacidad

Los casquillos de cable Vi-Go están diseñados exclusivamente para uso individual. Su carga de trabajo es de 310 lb (140,6 kg). **NO EXCEDA ESTE PESO.**

- No utilice el casquillo para elevar, descender o manipular materiales.

Distancia de seguridad

Cerciórese de que en caso de caída la distancia de seguridad resulte suficiente para evitar impactos con un nivel inferior u otro objeto.

- La distancia de detención de caída máxima es de 5,9" (149,9 mm).

Riesgos medioambientales

Si el equipo ha de utilizarse en áreas donde existen riesgos medioambientales, es posible que resulte necesario tomar precauciones adicionales para limitar la posibilidad de que se produzcan lesiones personales o daños al equipo. Entre otros posibles riesgos, se incluyen temperaturas extremas, productos químicos cáusticos, ambientes corrosivos, líneas de alta tensión, gases explosivos o tóxicos, máquinas en movimiento y bordes filosos. No exponga el equipo a ningún riesgo para el que no haya sido específicamente diseñado. En caso de duda, consulte al fabricante.

- Es importante mantener limpia la línea de anclaje.
- Este sistema no es apto para su uso sobre superficies inestables o materiales de grano fino o particulados.

3.0 Instalación y operación del casquillo de cable

- Antes de instalar el casquillo de cable, inspeccione cuidadosamente el equipo de acuerdo con las instrucciones del fabricante (consulte la sección 5.0, Inspección y mantenimiento). No utilice el equipo si presenta piezas faltantes o dañadas.
- El casquillo de cable solo puede sujetar a una persona por vez.
- Utilice únicamente junto con sistemas/ líneas de anclaje Miller compatibles.
- No utilice el sistema si el dispositivo no se traba en la línea de anclaje o si alguno de sus componentes no funciona correctamente.

ADVERTENCIA: es indispensable utilizar equipos de protección personal anticaídas en cualquier situación donde exista un riesgo de caída. Se requiere un sistema de detención de caídas de apoyo al conectar y desconectar el sistema en alturas.

3.1 Casquillo de cable pasante automático Vi-Go

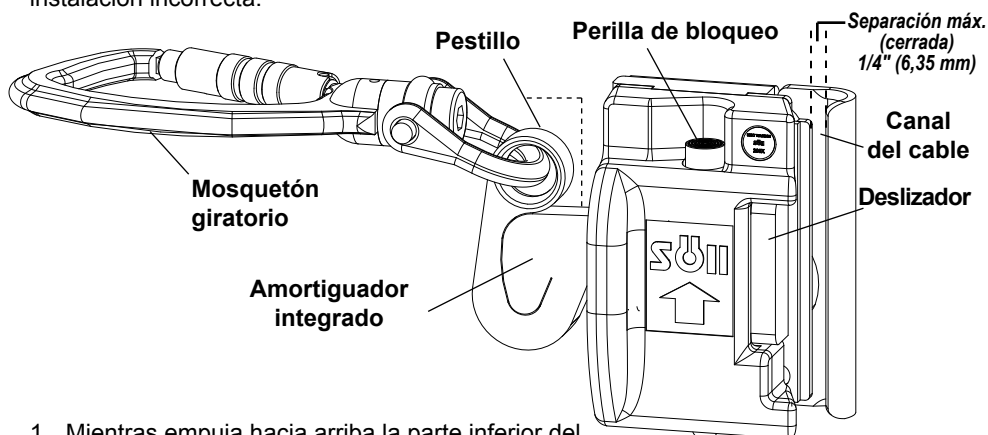


- Componentes de acero inoxidable resistentes a la corrosión.
- Instalación rápida y sencilla y operación exclusiva con una sola mano.
- Mecanismo integrado, que impide la instalación invertida del casquillo en el cable.
- Sujeción con manos libres durante el ascenso y descenso, que sobrepasa automáticamente las guías intermedias del cable pasante automático.
- Mecanismos activados por resortes, que regresan siempre el mecanismo a la posición inicial.
- Mecanismo de bloqueo doble, que impide la desconexión accidental del dispositivo.
- Bloqueo instantáneo en caso de caída.
- Amortiguador de impacto incorporado, que reduce las fuerzas del impacto sobre el usuario en caso de caída.
- Indicador de caída para una fácil inspección.
- Conexión a líneas de anclaje verticales de acero de 3/8", 8 mm o 10 mm*.

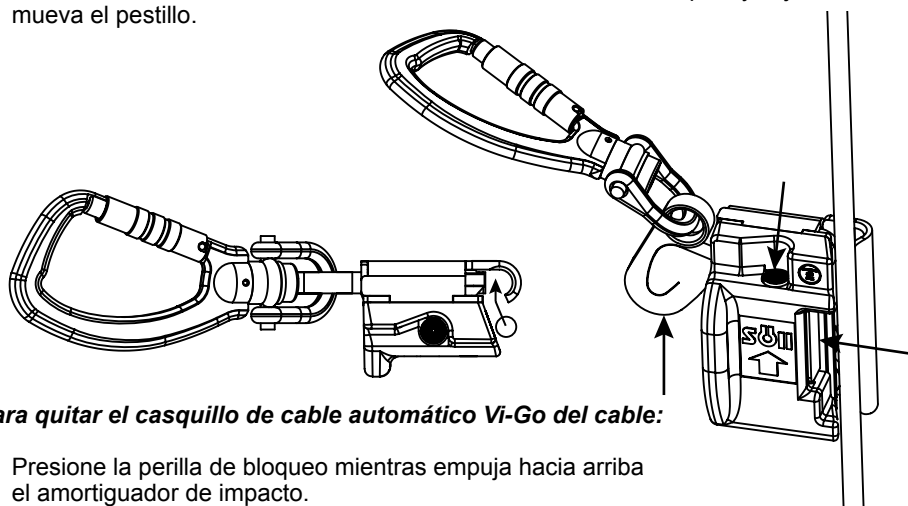
***NOTA:** las guías de cable pasante automático (VGCG) no son compatibles con líneas de anclaje de cable de 10 mm de diámetro. Si el sistema de línea de anclaje de cable vertical Vi-Go con casquillo de cable pasante automático se utiliza con un cable de 10 mm de diámetro, deberán utilizarse guías intermedias para el cable pasante manual (TRCG) y, en consecuencia, el casquillo no sobrepasará las guías intermedias de forma automática.

Instalación del casquillo de cable automático Vi-Go en líneas de anclaje verticales

El diseño único del casquillo de cable automático Vi-Go permite una fácil instalación en la línea de anclaje con una sola mano, en tanto un mecanismo antiinversión impide su instalación incorrecta.



1. Mientras empuja hacia arriba la parte inferior del amortiguador con su pulgar, presione la perilla de bloqueo con su dedo índice.
2. Con la perilla de bloqueo oprimida, presione el deslizador dentro de la carcasa.
3. Coloque el casquillo a través de la abertura del canal (que ahora estará desobstruida) en el cable de modo tal que la flecha de la carcasa apunte hacia arriba.
4. Suelte el deslizador y la perilla de bloqueo. **IMPORTANTE: cerciórese de que el canal del cable se cierre por completo [separación máxima: 1/4" (6,35 mm)].**
5. El casquillo de cable automático Vi-Go ya está conectado al cable.
6. Verifique que el casquillo pueda deslizarse libremente de forma vertical en el cable.
7. Para verificar el correcto funcionamiento del mecanismo de bloqueo y sujeción, mueva el pestillo.



Para quitar el casquillo de cable automático Vi-Go del cable:

1. Presione la perilla de bloqueo mientras empuja hacia arriba el amortiguador de impacto.
2. Con la perilla de bloqueo oprimida, presione el deslizador dentro de la carcasa.
3. Retire el casquillo a través de la abertura del canal (que ahora estará desobstruida).
4. Suelte el deslizador y la perilla de bloqueo.

Conexión del casquillo de cable automático Vi-Go al arnés de cuerpo completo

El casquillo de cable automático Vi-Go debe fijarse directamente al punto de sujeción delantero (que ha sido diseñado para el ascenso en escaleras) de un arnés de cuerpo completo Miller que cuente con un mosquetón con sistema de autobloqueo u otro conector aprobado por Miller.

ADVERTENCIA: la longitud máxima del conector desde el punto de sujeción en el arnés hasta el cable no debe superar los 9" (228 mm).

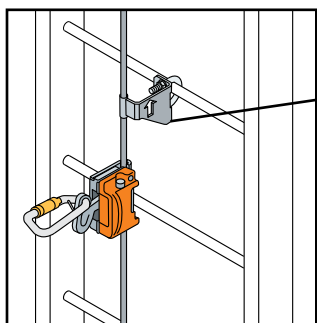
1. Colóquese un arnés de cuerpo completo de acuerdo con las instrucciones del fabricante. Verifique que todas las correas estén conectadas, las hebillas aseguradas, y que el arnés ofrezca un ajuste sin holgura. [NOTA: es preciso leer y comprender todas las instrucciones y advertencias suministradas junto con el equipo para el cuerpo antes de usar el dispositivo].
2. Fije el casquillo al punto de sujeción delantero del arnés con un mosquetón (o conector) aprobado por Miller. No utilice dispositivos de conexión tales como cadenas, dispositivos de enganche rápido o eslingas ni conectores no aprobados por Miller.
3. Verifique que el tirante/ muelle del mosquetón (o conector) estén cerrados y bloqueados.

Operación del casquillo de cable automático Vi-Go

Utilice la escalera para subir o bajar de la forma usual. El casquillo de cable seguirá el movimiento de forma automática.

Sobrepaso de guías de cable pasante automático:

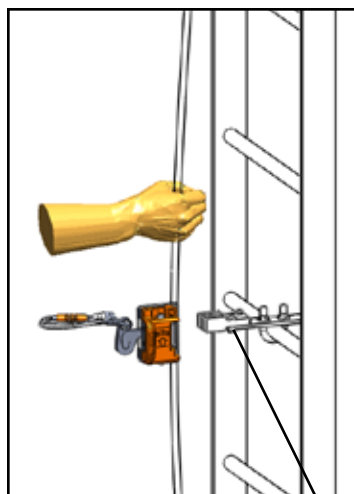
Cuando el casquillo llega hasta las guías intermedias del cable pasante automático, las sobrepasa suavemente sin ningún tipo de asistencia manual.



◀ Para ascensos y descensos, no se requiere asistencia manual para sobrepasar las guías de cable pasante **AUTOMÁTICO**.

Sobrepaso de guías de cable pasante manual:

manual! Para sobrepasar una guía intermedia de un cable pasante manual, retire el cable de la guía. Una vez que el casquillo la haya sobrepasado, vuelva a conectar el cable en la guía.



▲ Al usar el casquillo de cable automático Vi-Go junto con guías de un cable pasante **MANUAL**, retire el cable de la guía para sobrepasarla.

Al finalizar el ascenso, retire el casquillo y guárdelo adecuadamente de acuerdo con las instrucciones de mantenimiento de este manual.

3.2 Casquillo de cable pasante manual Vi-Go

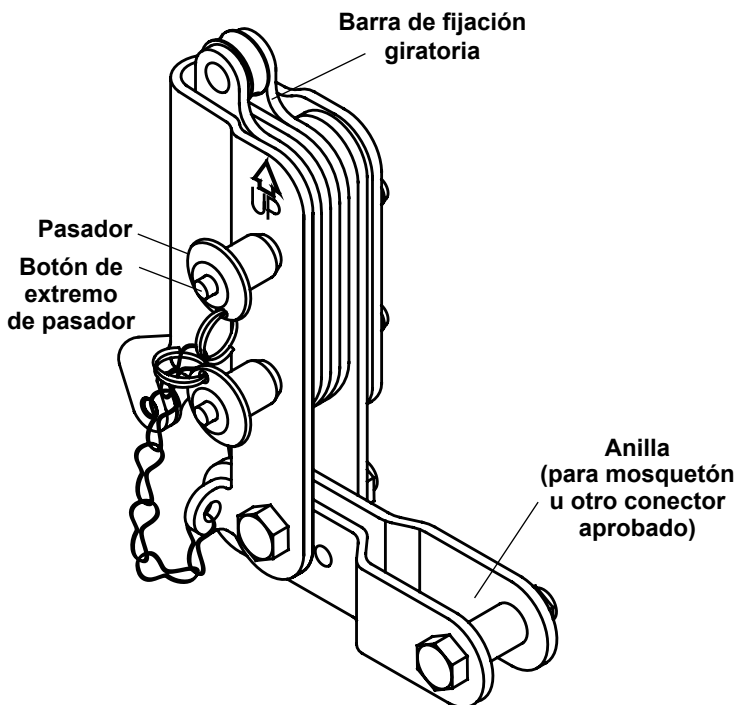


- Fácil conexión con el cable y operación de sujeción con manos libres entre guías intermedias del cable.
- Bloqueo instantáneo en caso de caída.
Conexión exclusiva a líneas de anclaje verticales de acero de 3/8".

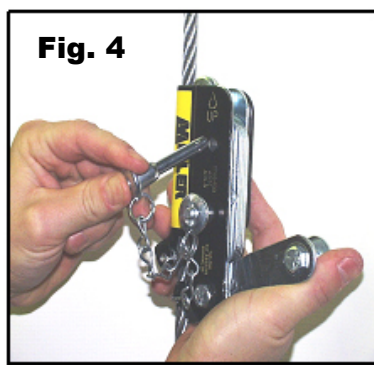
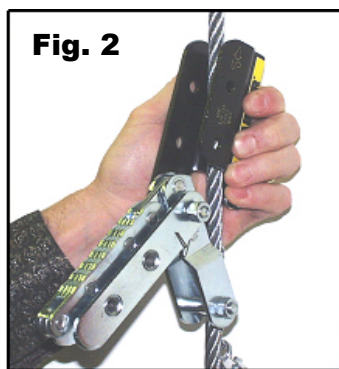
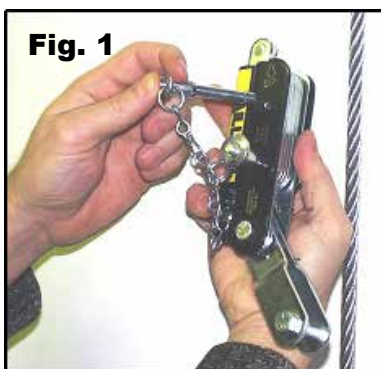
Instalación del casquillo de cable manual Vi-Go en líneas de anclaje verticales

ADVERTENCIA: nunca conecte el dispositivo en la línea de anclaje con la fecha "UP" apuntando hacia abajo. En esa posición, el dispositivo NO se fijará a la línea de anclaje de producirse una caída.

ADVERTENCIA: el casquillo de cable manual Vi-Go solo es compatible con cables aprobados de 3/8" de diámetro.



1. Para abrir el dispositivo, presione los botones ubicados en los extremos de los pasadores y retire los pasadores (consulte la figura 1).
2. Abra por completo el dispositivo girando la barra de fijación y alejándola de la carcasa, y conecte el dispositivo al cable (consulte la figura 2).
3. Cierre el dispositivo girando las levas sobre el cable; asegúrese de que la fecha "UP" apunte hacia arriba (consulte la figura 3).
4. Vuelva a instalar los pasadores a través de la carcasa, asegurándose de que el retén de bola atraviese por completo la carcasa (consulte la figura 4).
5. Luego de instalar el casquillo en la línea de anclaje, verifique la correcta instalación de los pasadores de seguridad intentando retirarlos sin oprimir los botones.
6. Para comprobar el movimiento del casquillo de cable, tire las levas hacia atrás y deslice el dispositivo hacia arriba y hacia abajo por la línea de anclaje.
7. Pruebe el mecanismo de bloqueo del casquillo tirando firmemente hacia abajo de la anilla. El casquillo de cable debe permanecer fijado en el cable.



Para quitar el casquillo de cable manual Vi-Go del cable:

1. Presione los botones ubicados en los extremos de los pasadores y retire los pasadores.
2. Abra por completo el dispositivo girando la barra de fijación y alejándola de la carcasa, y retire el cable.

Conexión del casquillo de cable manual Vi-Go al arnés de cuerpo completo

El casquillo de cable manual Vi-Go debe fijarse directamente al punto de sujeción delantero (especialmente designado para el ascenso en escaleras) de un arnés de cuerpo completo Miller que cuente con un mosquetón con sistema de autobloqueo u otro conector aprobado por Miller.

ADVERTENCIA: la longitud máxima del conector desde el punto de sujeción en el arnés hasta el cable no debe superar los 9" (228 mm).

1. Colóquese un arnés de cuerpo completo de acuerdo con las instrucciones del fabricante. Verifique que todas las correas estén conectadas, las hebillas aseguradas, y que el arnés ofrezca un ajuste sin holgura. [NOTA: es preciso leer y comprender todas las instrucciones y advertencias suministradas junto con el equipo para el cuerpo antes de usar el dispositivo].
2. Fije el casquillo al punto de sujeción delantero del arnés con un mosquetón (o conector) aprobado por Miller. No utilice dispositivos de conexión tales como cadenas, dispositivos de enganche rápido o eslingas ni conectores no aprobados por Miller.
3. Verifique que el tirante/ muelle del mosquetón (o conector) estén cerrados y bloqueados.

Operación del casquillo de cable manual Vi-Go

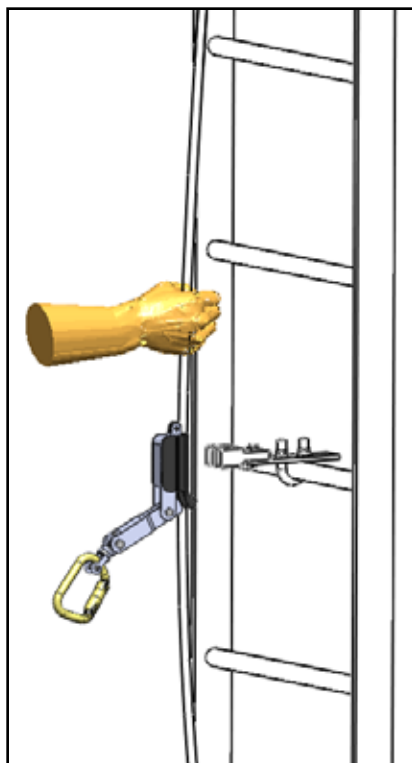
Suba por la escalera de la forma usual. El casquillo de cable seguirá el movimiento de forma automática.

Cuando el casquillo llegue hasta las guías intermedias del cable pasante manual, retire el cable de la guía. Una vez que el casquillo haya atravesado la guía, vuelva a conectar el cable en la guía.

ADVERTENCIA: NO RETIRE EL CASQUILLO PARA ATRAVESAR LAS GUÍAS INTERMEDIAS.

Baje por la escalera de la forma usual, con el torso centrado y cerca del dispositivo. De esta forma mantendrá la palanca hacia arriba de modo de desenganchar la barra de fijación y permitir que el dispositivo se desplace libremente hacia abajo del cable. Si se inclina demasiado hacia atrás, el casquillo se fijará al cable. Para desbloquear el casquillo, muévalo levemente hacia arriba para desconectar el dispositivo del cable y permitir al usuario descender por la escalera.

Al finalizar, retire el casquillo de cable y guarde adecuadamente siguiendo las instrucciones de mantenimiento de este manual.



4.0 Capacitación

Los usuarios de este equipo deben estar familiarizados con estas instrucciones y encontrarse debidamente capacitados en la instalación, uso, inspección, mantenimiento y limitaciones de este producto. Es preciso llevar a cabo capacitaciones periódicas sin exponer a los aprendices a riesgos de caídas. El servicio de capacitación de Miller brinda los conocimientos y habilidades necesarios para lograr un ambiente de trabajo seguro y con mayor productividad. Para obtener más información sobre los servicios de capacitación de Miller, comuníquese hoy mismo con un representante al 800.873.5242.

5.0 Inspección y mantenimiento

Inspección

Los casquillos de cable Vi-Go están diseñados para los exigentes entornos de trabajo actuales. Para mantener su vida útil y óptimo rendimiento, los casquillos de cable deben inspeccionarse de forma frecuente. Realice una inspección visual antes de cada uso. Las inspecciones regulares a cargo de una persona competente para detectar cualquier posible desgaste, daño o corrosión deben formar parte de todo programa integral de seguridad. **De detectar cualquiera de las condiciones defectuosas explicadas en este manual, reemplace el equipo.**

Inspección del casquillo de cable

Antes de cada uso, realice una inspección visual que comprenda lo siguiente:

- Busque la posible presencia de daños, grietas, desgaste o corrosión.
- Controle los pernos para detectar posibles daños, grietas, desgaste o corrosión.
- Determine si existen componentes que funcionen incorrectamente, además de resortes y sujetadores rotos o faltantes.
- Solo casquillo de cable automático Vi-Go: Controle la perilla de bloqueo y el deslizador para verificar su correcto funcionamiento sin restricciones.
- Solo casquillo de cable manual Vi-Go: Controle los botones del pasador para verificar su correcto funcionamiento sin restricciones.
- Asegúrese de que todas las piezas se desplacen libremente y funcionen correctamente.
- Solo casquillo de cable automático Vi-Go: Inspeccione el indicador de caída/amortiguador de impacto para detectar posibles signos de impactos o imposición de cargas.

Implementado



Inspección del sistema

- Inspeccione el sistema/ la línea de anclaje del cable, el protector de cuerpo completo y el conector en el que debe instalarse el casquillo de cable de conformidad con las instrucciones del fabricante.

Limpieza y almacenamiento

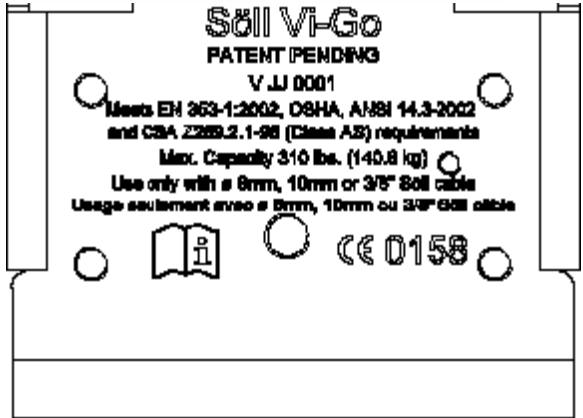
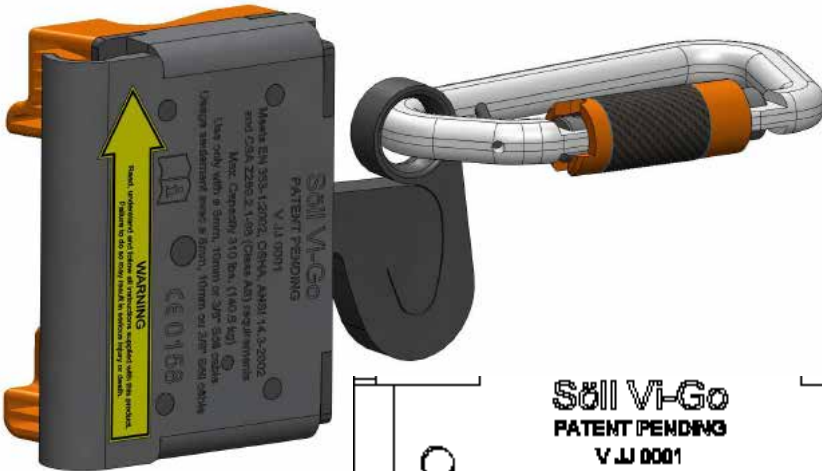
El cuidado básico de todos los equipos de protección anticaídas Miller ayuda a prolongar su vida útil y favorece un óptimo rendimiento para su función de seguridad vital. Igual importancia reviste la limpieza del equipo para eliminar suciedad y sustancias corrosivas o contaminantes. Limpie el dispositivo con un paño húmedo y detergente o jabón suaves. Séquelo con una toalla. Las áreas de almacenamiento deben estar limpias, secas y libres de toda exposición a gases o elementos corrosivos.

Reparaciones

Es preciso llevar un registro con las fechas de realización de todas las tareas de inspección, reparación y mantenimiento. **El dispositivo debe retirarse de servicio si ha quedado sujeto a fuerzas de detención de caída.** Únicamente se admite el uso de repuestos para protección anticaídas Miller aprobados. En caso de duda, comuníquese con el Servicio técnico de Miller al 800.873.5242.

Labels/Markings Étiquettes/Inscriptions Etiquetas/Marcas

Vi-Go Automatic Pass-Through Cable Sleeve



Vi-Go Manual Pass-Through Cable Sleeve



MILLER Vi-GoTM

by Honeywell

Use only with 3/8" (9.5mm) diameter steel cable lifeline.
Max. Capacity: 310 lbs. (140.6 kg)

DATE OF MANUFACTURE
DATE DE FABRICATION

YEAR

12	13	14	15	16	17
----	----	----	----	----	----

MONTH

1	2	3	4	5	6
7	8	9	10	11	12

MODEL/MODELE:

TRCS TRCS-C

TRCS-SC

COMPLIANCE:
OSHA 1926.502, 1910.27, ANSI A14.3,
CSA 2259.2.1-98 (Class AS)

Questions? Call: 800-873-5242
Honeywell Safety Products

WARNING
Manufacturer's instructions supplied with this product at the time of shipment must be followed. Failure to do so may result in serious injury or death.

AVERTISSEMENT
Vous devez respecter les instructions du fabricant que vous avez reçues avec le produit. Dans le cas contraire, vous risquez de blessures graves ou même la mort.

HAUT

Utilisez uniquement avec 3/8" (9.5mm) de diamètre du câble d'acier de Vie.
Capacité Max: 310 lbs. (140.6 kg)

by Honeywell



MILLER Vi-GoTM

LE010P REV. B

Inspection and Maintenance Log

Registre D'inspection et D'entretien

Registro de inspección y mantenimiento

DATE OF MANUFACTURE: _____
 DATE DE FABRICATION / FECHA DE FABRICACIÓN

MODEL NUMBER: _____
 NUMÉRO DE MODÈLE / NÚM. DE MODELO

DATE PURCHASED: _____
 DATE D'ACHAT / FECHA DE COMPRA

INSPECTION DATE DATE D'INSPECTION FECHA DE INSPECCIÓN	INSPECTION ITEMS NOTED POINTS NOTÉS LORS DE L'INSPECTION PUNTOS DE INSPECCIÓN RELEVANTES	CORRECTIVE ACTION ACTION CORRECTIVE MEDIDA CORRECTIVA	MAINTENANCE PERFORMED ENTRETIEN EFFECTUÉ MANTENIMIENTO REALIZADO
Approved by: Approuvé par: Aprobado por:			
Approved by: Approuvé par: Aprobado por:			
Approved by: Approuvé par: Aprobado por:			
Approved by: Approuvé par: Aprobado por:			
Approved by: Approuvé par: Aprobado por:			
Approved by: Approuvé par: Aprobado por:			
Approved by: Approuvé par: Aprobado por:			
Approved by: Approuvé par: Aprobado por:			
Approved by: Approuvé par: Aprobado por:			
Approved by: Approuvé par: Aprobado por:			
Approved by: Approuvé par: Aprobado por:			



MILLER® FALL PROTECTION PRODUCTS
TOTAL SATISFACTION ASSURANCE

At Honeywell Safety Products and its predecessors, we have been providing quality Miller brand fall protection equipment to millions of workers worldwide since 1945.

LIMITED LIFETIME WARRANTY
BACKED BY OVER 65 YEARS IN THE FALL PROTECTION BUSINESS

We sincerely believe that our fall protection equipment is the best in the world. Our products endure rigorous tests to ensure that the fall protection equipment you trust is manufactured to the highest standards. Miller fall protection products are tested to withstand normal wear and tear, but are not indestructible and can be damaged by misuse. Our Limited Lifetime Warranty does not apply to normal wear and tear or abusive treatment of the product.

In the unlikely event that you should discover defects in either workmanship or materials, under our Limited Lifetime Warranty, we will repair or replace the product at our expense. If a replacement is necessary and your product is no longer available, a comparable product will be substituted. Should a product issue surface, contact us at 800.873.5242.

Manufacturing specifications are subject to change without notice.

PRODUITS MILLER® FALL PROTECTION
ASSURANCE DE SATISFACTION TOTALE

Honeywell Safety Products et ses prédécesseurs offrent les équipements antichute de marque Miller de qualité à des millions de travailleurs dans le monde entier depuis 1945.

GARANTIE LIMITÉE À VIE
ASSURÉE GRÂCE À PLUS DE 65 ANS PASSÉS DANS LE DOMAINE DE LA PROTECTION CONTRE LES CHUTES

Nous croyons sincèrement que notre équipement de protection contre les chutes est le meilleur au monde. Nos produits sont soumis à des tests rigoureux, afin d'assurer que les équipements de protection contre les chutes dans lesquels vous avez confiance sont fabriqués selon les normes les plus exigeantes. Les produits de protection contre les chutes Miller sont soumis à des essais pour vérifier qu'ils résistent à une usure normale; ils ne sont cependant pas indestructibles et peuvent s'endommager en cas de mauvaise utilisation. Notre garantie limitée à vie ne s'applique pas à l'usure normale ou à un usage abusif du produit.

Dans le cas peu probable où vous découvririez des défauts, soit de fabrication, soit de matériau, dans le cadre de notre garantie à vie, nous réparerons ou remplacerons le produit à nos frais. En cas de remplacement, si votre produit n'est plus offert, vous recevrez un produit comparable. En cas de problème sur un produit, nous contacter au 800-873-5242.

Les caractéristiques de fabrication peuvent être modifiées sans préavis.

PRODUCTOS ANTICAÍDAS MILLER®
GARANTÍA DE SATISFACCIÓN TOTAL

En Honeywell Safety Products y sus predecesores, hemos estado brindando la calidad de la marca Miller en equipos de protección de caída a millones de trabajadores alrededor del mundo desde 1945.

GARANTÍA LIMITADA DE POR VIDA
NOS RESPALDAN MÁS DE 65 AÑOS EN LA FABRICACIÓN DE EQUIPO ANTICAÍDAS

Sinceramente creemos que su equipo de protección contra caídas es el mejor del mundo. Nuestros productos resisten rigurosas pruebas para garantizar que el equipo de protección contra caídas en el que usted confía está fabricado de conformidad con las normas más elevadas. Los productos anticaídas Miller son sometidos a pruebas para que resistan el desgaste normal, pero no son indestructibles y su incorrecta utilización puede dañarlos.

Nuestra Garantía limitada de por vida no se aplica al desgaste normal ni al maltrato del producto.

En el poco probable caso de que usted descubriera defectos de mano de obra o materiales, por nuestra Garantía limitada de por vida, repararemos o sustituiremos el producto por cuenta nuestra. Si un reemplazo es necesario y nuestro producto ya no está disponible, se lo sustituiremos por otro comparable.

En caso de que surja un problema con el producto, contáctenos al 800.873.5242.

Las especificaciones de fabricación están sujetas a modificaciones sin previo aviso.

MILLER[®]

by Honeywell

Toll Free: 800.873.5242

Fax: 800.892.4078

Download this manual at: www.millerfallprotection.com

Téléchargez ce manuel à l'adresse: www.millerfallprotection.com

Puede bajar por Internet este manual en: www.millerfallprotection.com

Honeywell Safety Products
P.O. Box 271, 1345 15th Street
Franklin, PA 16323 USA