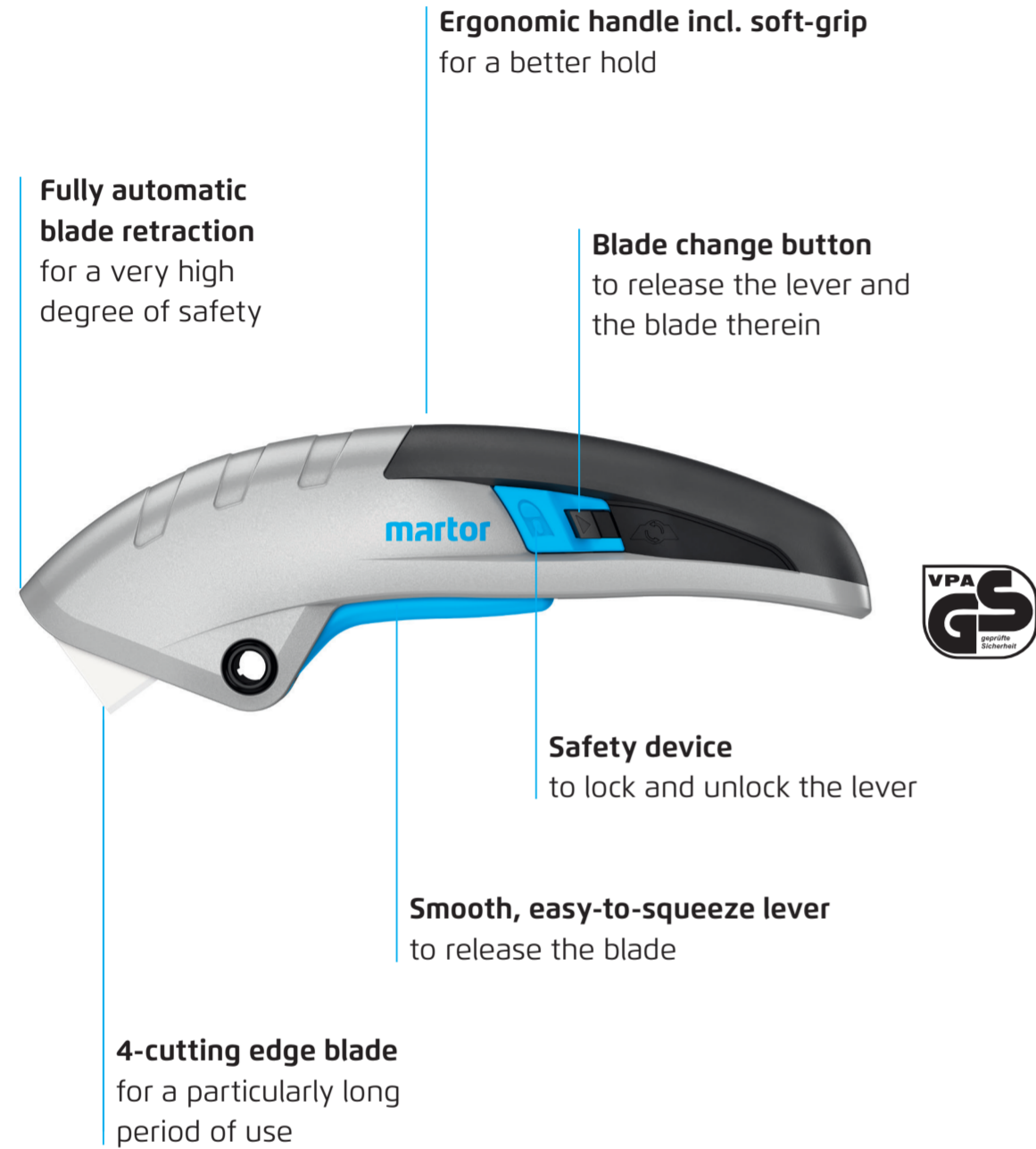


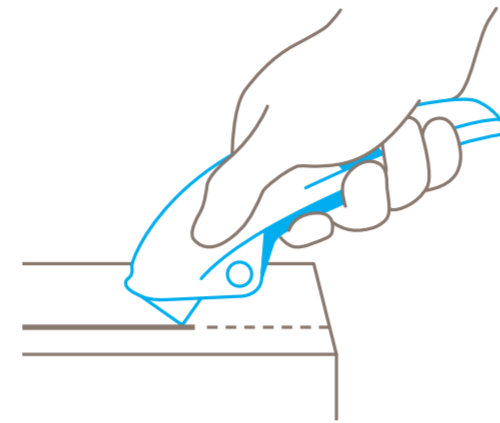
SAFETY POSTER INSTRUCTIONS FOR THE SAFE HANDLING OF YOUR CUTTING TOOL

martor

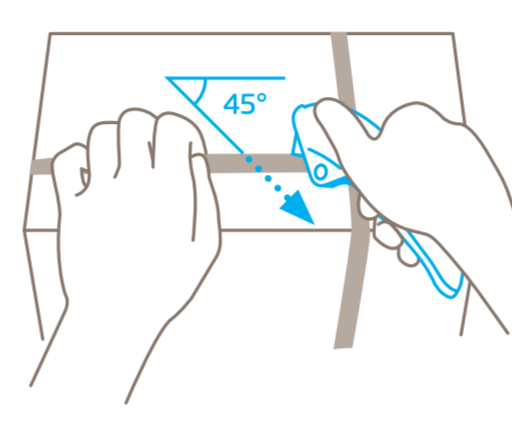
SECUPRO MARTEGO



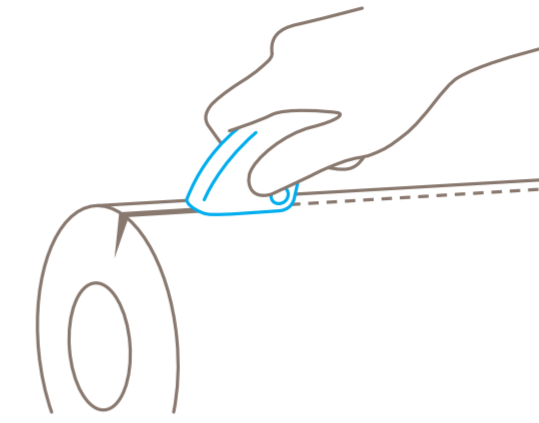
USAGE



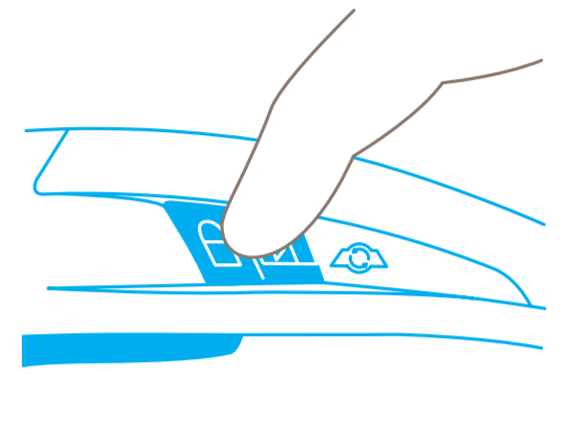
To engage the blade, unlock the safety knife and **squeeze the lever**. Now you can cut.



For best results, cut plastic strapping band **diagonally** (at a 45° angle).

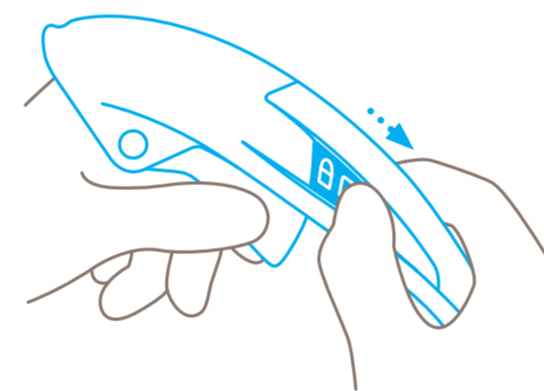


Use the underside of the knife head as a supporting surface to **work ergonomically** and efficiently.

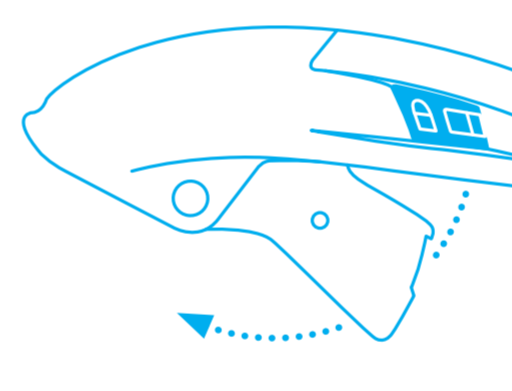


To prevent unintentional blade activation, always **lock the safety knife** by pressing downwards on the lock symbol.

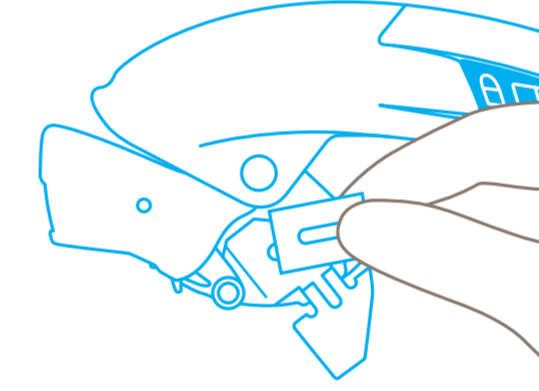
BLADE CHANGE



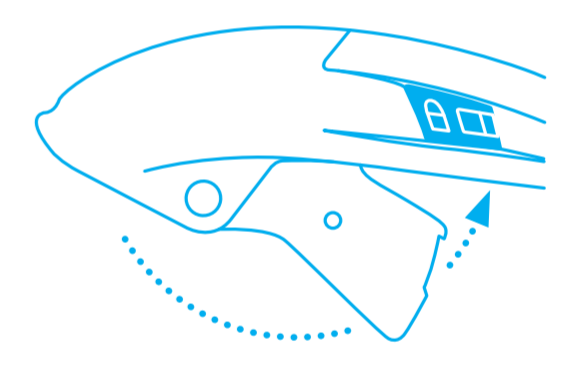
Lock your cutting tool and pull back the small **black blade-change button**.



Swing the lever out of the handle and flip open the blade cover.

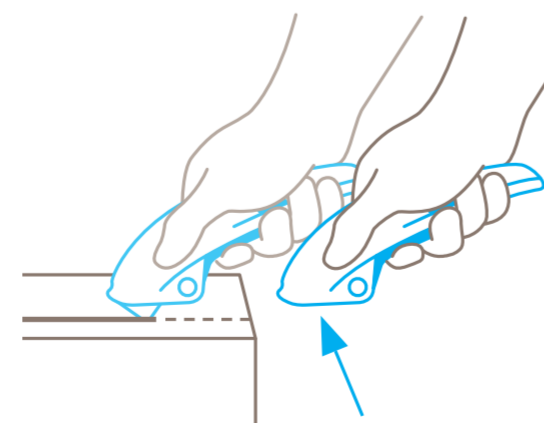


Now you can either **rotate or replace the blade**. Please close the blade cover again.



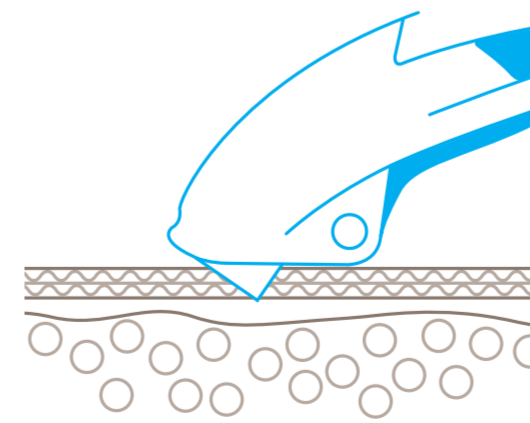
Finally, push the lever back into the handle until you **hear it click into place**.

PROTECTION OF USER



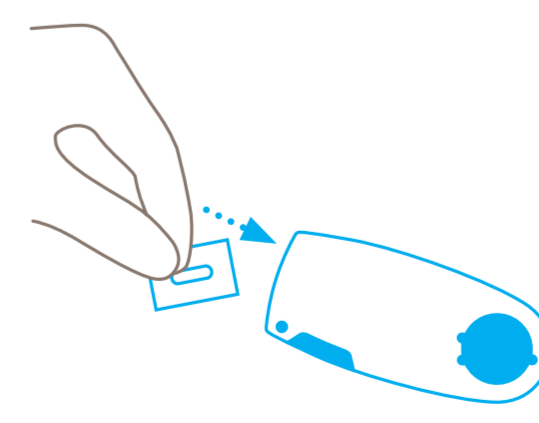
The blade immediately retracts into the handle the moment cutting ceases. Even when the lever is **still being squeezed**.

PROTECTION OF GOODS

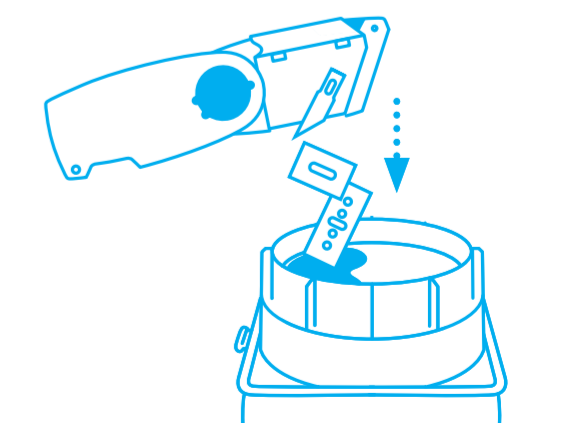


An appropriately **small cutting depth** serves to protect your goods.

DISPOSAL



Your **SAFEBOX** is the best place to store **used blades**.



When the **SAFEBOX** is full, **empty all contents** into your **USED BLADE CONTAINER**.

Please note: To ensure your product always functions flawlessly, regularly remove any impurities. For additional safety, we recommend wearing gloves.