

## Dräger X-plore® Bayonet Filters Filter

Experience a new dimension of comfort and safety in respiratory protection: the Dräger X-plore® Twinfilter series. It sets the benchmark in comfort and use. The utilization of modern materials, coupled with an attractive design, guarantees maximum comfort and user acceptance.



ST-17453-2008

## Benefits

---

### **Innovative and comfortable**

The Dräger X-plore® bayonet filter series is an innovative line of twin filter respiratory protection products, which combines modern design and enhanced wearer comfort. The off-center arrangement of the bayonet connections enables a wide and unobstructed field of view.

---

### **Easy and secure attachment**

The filters are equipped with a secure and quick-release bayonet catch, providing easy guidance until they click into place.

---

### **Many possibilities**

The gas cartridges can be upgraded to operate as combination cartridges, by using various pad attachments or Dräger X-plore® Pure with an adapter. The additional particle filters can be replaced independently from the gas cartridge. An optional coarse particulate prefilter prevents premature clogging of the combination cartridge with grit or spray paint.

---

### **Packaged in pairs**

The filters are packaged in pairs, so only the required number of filters have to be opened.

---

### **Durable plastic housing**

All gas and combination cartridges are equipped with a robust plastic housing.

---

### **Supporting cartridge selection**

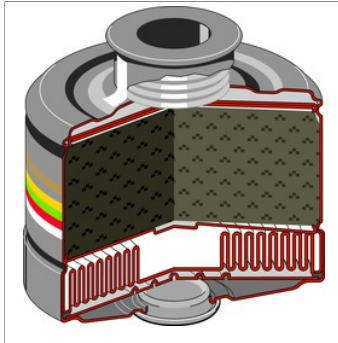
The Dräger VOICE database of hazardous substances offers comprehensive support for selecting cartridges.

---

### **NIOSH Approved**

All filters and cartridges are NIOSH approved with the full range of half and full face masks.

## Related Products



ST-1163-2002

### Dräger X-plore® Rd40 Filters

Whether used in chemical industry or automobile industry, shipbuilding, metal processing industry, or by public utility services—for decades Dräger respiratory protection filters have been a synonym for experience and safety worldwide. They clean breathable air from contaminants in a low-cost and effective manner.



ST-5458-2007

### Dräger X-plore® 3300

Dräger X-plore® 3300 offers both practical use and comfort, by its economical and low-maintenance use.



ST-716-2006

### Dräger X-plore® 3500

A perfect combination of durability, protection, and comfort. For harsh conditions and long duration use, the Dräger X-plore® 3500 half mask is the first choice.



ST-948-2008

### Dräger X-plore® 5500

Whether in the chemical, metal, or automotive industries, ship building, maintenance, supplies, or disposal: The Dräger X-plore® 5500 full face mask is the right solution for environments where not only increased respiratory protection is required, but a clear vision is mandatory.

## Ordering Information

| Filter Type   | Packing Unit      | Weight Order         | Code      |
|---|-------------------|----------------------|-----------|
| <b>Particle Filters</b>   |                   |                      |           |
| Pad N95   | 20 pcs = 10 pairs | 6 g/pc               | 67 38 020 |
| Pad R95   | 20 pcs = 10 pairs | 6 g/pc               | 67 38 021 |
| P100  | 22 pcs = 11 pairs | 35 g/pc              | 67 38 012 |
| Pure P100   | 20 pcs = 10 pairs | 20 g/p               | 67 38 350 |
| Pure P100 Odor  | 20 pcs = 10 pairs | 30 g/pc              | 67 38 392 |
| <b>Gas Filters</b>  |                   |                      |           |
| OV  | 20 pcs = 10 pairs | 90 g/pc              | 67 38 024 |
| AG  | 20 pcs = 10 pairs | 90 g/pc              | 67 38 026 |
| AM/MA   | 20 pcs = 10 pairs | 120 g/pc             | 67 38 027 |
| 027OV/AG/HF/FM/CD   | 20 pcs = 10 pairs | 90 g/pc              | 67 38 025 |
| OV/AG/HF/FM/CD/AM/MA/HS   | 20 pcs = 10 pairs | 110 g/pc             | 67 38 351 |
| <b>Combination Cartridges</b>   |                   |                      |           |
| OV/P100   | 14 pcs = 7 pairs  | 120 g/pc             | 67 38 034 |
| AG/P100   | 14 pcs = 7 pairs  | 120 g/pc             | 67 38 036 |
| AM/MA/P100  | 14 pcs = 7 pairs  | 150 g/pc             | 67 38 037 |
| 037OV/AG/HF/FM/CD/P100  | 14 pcs = 7 pairs  | 120 g/pc             | 67 38 035 |
| OV/AG/HF/FM/CD/AM/MA/HS/P100  | 14 pcs = 7 pairs  | 145 g/pc             | 67 38 361 |
| <b>Accessories</b>  |                   |                      |           |
| Pad Retainer (for use with pads)  | 12 pcs            | 20 g/pc              | 67 38 038 |
| Pad Base (for use with pads)  | 12 pcs            | 20 g/pc              | 67 38 039 |
| Course particulate pre-filters (for combination cartridges)             | 40 pcs = 20 pairs | 0.2 g/pc             | 67 38 159 |
| Retainer course particulate pre-filters                                 | 14 pcs = 7 pairs  | 12 g/pc              | 67 37 576 |
| Pure Adapter (for use with gas cartridges to combine with Pure filters) | 10 pcs            | 18 g/pc              | 67 38 356 |
| <b>Sets &amp; Bundles</b>   |                   |                      |           |
| Parts   | EAN/GTIN          | Part no.             |           |
| X-plore 3500 M & Pure P100 Filter                                       | 4226350880000     | R 55 350 & 67 38 350 |           |
| X-plore 3500 M & OV/P100 Combination Cartridge                          | 4226350880017     | R 55 350 & 67 38 034 |           |
| X-plore 3500 M & Multi-Gas/P100 Combination Cartridge                   | 0792745033664     | R 55 350 & 67 38 361 |           |

## Notes

## Notes

Not all products, features, or services are for sale in all countries.  
Mentioned Trademarks are only registered in certain countries and not necessarily in the country in which this material is released. Go to [www.draeger.com/trademarks](http://www.draeger.com/trademarks) to find the current status.

**CORPORATE HEADQUARTERS**  
Drägerwerk AG & Co. KGaA  
Moislinger Allee 53-55  
23558 Lübeck, Germany  
[www.draeger.com](http://www.draeger.com)

**Customer Service:**  
USA  
+1 800-4DRAGER  
(+1 800-437-2437)

**CANADA**  
+1 877-DRAGER1  
(+1 877-372-4371)

**Technical Service:**  
USA  
+1 800-4DRAGER  
(+1 800-437-2437)

Locate your Regional  
Sales Representative at:  
[www.draeger.com/contact](http://www.draeger.com/contact)

